

Panel-Glide® Sectional Overhead Garage Door

U value (EN13241)	1.4-1.6 W/m²K
Water Penetration (EN12425)	Class 3, 150Pa
Resistance to wind load (EN12424)	Class 5, 1100Pa
Air Permeability (EN12426)	Class 3

Minimum clearances manual/automatic doors:

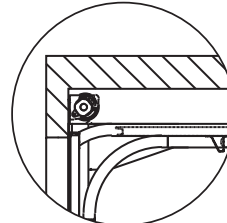
Rear Mount:

- Sideroom 90mm
- Headroom 110/150mm
- With t-bar handle lockset (motor offset)
- Sideroom 90mm
- Headroom 155mm
- With round handle lockset (motor offset)
- Sideroom 90mm
- Headroom 170mm

Minimum clearances manual/automatic doors:

Front Mount:

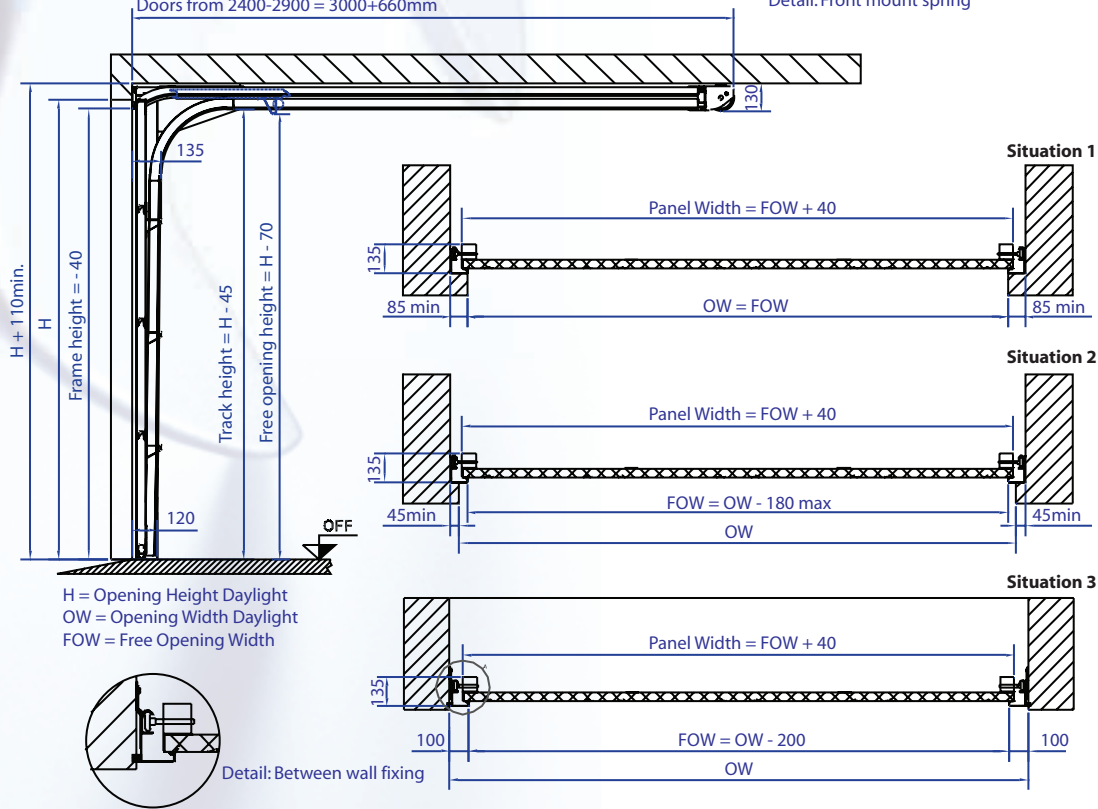
- Sideroom 90mm
- Headroom 230/270mm
- With t-bar handle lockset
- Sideroom 90mm
- Headroom 230/270mm
- With round handle lockset
- Sideroom 90mm
- Headroom 230/270mm



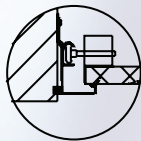
Detail: Front mount spring

Structural Depth

- Doors up to 2150 high = 2250+660mm
- Doors from 2150-2400 = 2500+660mm
- Doors from 2400-2900 = 3000+660mm



H = Opening Height Daylight
OW = Opening Width Daylight
FOW = Free Opening Width



Detail: Between wall fixing

Fascias and fixing accessories

Between Reveal Fitting Kit Kit includes fascias for frame legs, frame head and side wall fixing brackets

End View Opening Side wall
Detail 'A'
Fascia for side section 20mm
100mm
Fascia for side section (see detail 'A')
100mm
20mm

Gap to Ceiling Fascia Kit Kit includes frame header fascia and infill section

20mm Ceiling
100mm
20mm
100mm
20mm
Door top header piece part of standard frame

Renovation Kit To cover unsightly brickwork around the garage opening. Kit includes fascias for frame legs, frame head and fitting brackets

60mm
17mm
40mm
14mm

Door Frame Fascias To clad exposed door frame. Kit includes fascias for frame legs, frame head and fitting brackets

77mm
20mm
100mm
Frame leg section
Side Fascia for header Section



Technical

This overview covers all the key dimensions for the installation of the Gliderol range of garage doors.



Glidermatic doors require an extra 20mm side clearance on the side the drive unit is required to be fitted.

Sizes - GlideRol-a-Door up to 5m wide and 3m high. GlideRol-a-Door Mini up to 3.4m wide and 2.1m high.

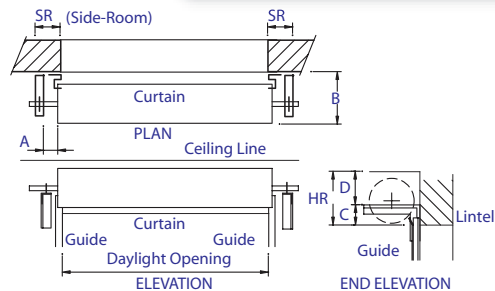
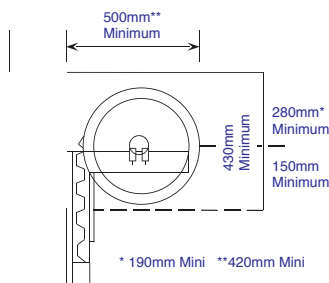
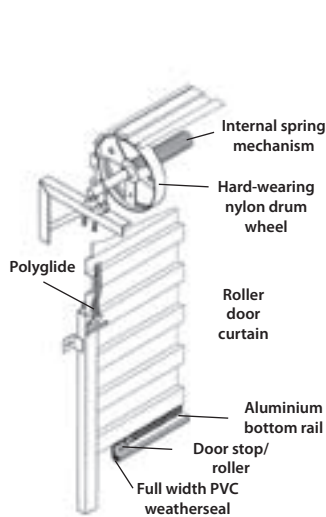
Windlock system - should be specified for double doors in very exposed locations and greater side room clearance is required. For advice and information, speak to our technical department or your supplier.



GLIDEROL
GARAGE DOORS

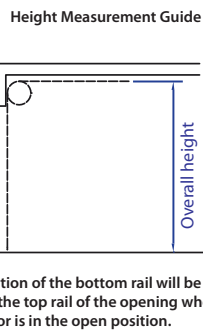
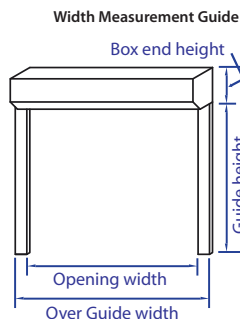
Opening Doors Around the World®

www.gliderol.co.uk

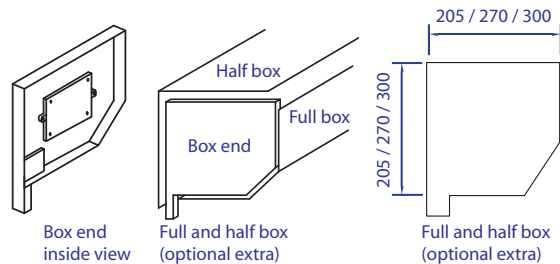


DIMENSION PANEL (minimum sizes) mm							
SERIES A (Hand Operated)	Side Room		Head Room	A	B	C	D
	Resid.A	Resid.AA					
2100 HIGH	90	125	430	25-100	500	150	280
2400 HIGH	90	125	450	25-100	540	160	290
2700 HIGH	90	125	450	25-100	540	160	290
3000 HIGH	90	125	470	25-100	560	170	300
Mini							
2100 HIGH	90	-	340	25-100	420	150	190

If recommended headroom is not available the door may still be installed, required headroom should be maintained (n.b. some loss of opening height will occur and the roll of the door will be visible, but this may be disguised by a fascia).

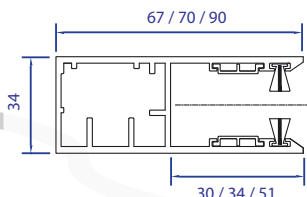


Box End Details



Note: Full and half boxes are available to match painted coloured door curtains. Vandyke Brown boxes are supplied as standard for laminated door curtains.

Guide Specification



Notes on colour: Door guides are available in colours matching the door curtain except laminate door colours (supplied in brown). Coloured guide rails are supplied as standard, however they may not match the lath colour. The manufacturing process for the lath profile results in a textured finish, whilst all other coloured items (guides, bottom laths, lock laths, optional fascias and vision panels) are supplied in a satin finish so cannot be guaranteed to match exactly. Over time, some scuffing may occur on front and rear surfaces of doors as a result of their normal operation.

Fixing Options

