

ROUND THE CORNER TANGENT 290

E A C H L E A F W E I G H T M A X 3 5 k g

APPLICATION

- ▶ Designed for residential garages, commercial and light industrial applications.
- ▶ The doors slide clear of the opening and park along the adjacent side wall(s). Round the Corner applications are therefore suitable where a bunched unit of parked leaves would be impractical.
- ▶ To cover any width of opening any number of units can be used on single track.
- ▶ To accommodate different building designs, doors can slide to one or both sides of the opening.
- ▶ Deluxe fittings are available; polished and lacquered hangers and guides and anodised aluminium butt hinges.

DOOR SPECIFICATION

290

For individual doors:	
Max Leaf Height	2400mm
Max Leaf Weight	35 kg
Max Leaf Width	711 - 900mm
Leaf Thickness	35 - 50mm

Units of three, four and five leaves can be hinged together.

The end leaf of a unit nearest the track curve can form a swinging access door.

Clearance between leaves to be 2mm minimum.

Door leaves should be constructed to provide secure fixing for hanger, hinges and guides and can either be flush, panelled or glazed.

GEAR SPECIFICATION

Track:	290 (2mm thickness)
Material:	galvanised steel
Standard Lengths:	1800mm, 2000mm, 2500mm, 3000mm, 4000mm and 6000mm.

Track Curves:	600K
----------------------	------

Brackets:		
face fixing	1A/290	aluminium alloy pressure die casting
jointing bracket	1AX/290	aluminium alloy pressure die casting
Fix at 900mm centres (maximum).		
Jointing brackets are located where the track and track curve are butted together.		

Hangers:	standard	polished
Intermediate hangers:	62K	62KP
End hangers:	63K	63KP
Hangers are fitted with steel wheels on sintered bush bearings.		
Vertical adjustment is simple and positive.		

Guides:	standard	polished
Intermediate guide	67/89	67/94P
End guide	68/89	68/94P

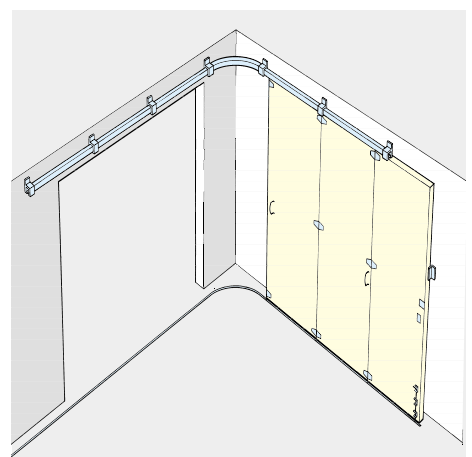
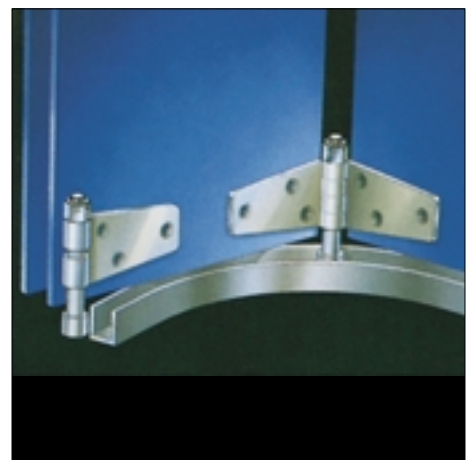
Hinges:	standard	polished
	65	403/3

All steel parts to hangers and guides are electro-zinc plated.

Channel:	89	galvanised steel
Standard lengths correspond with standard track lengths. Pre-drilled for lugging into concrete and fitting with a drainage funnel.		

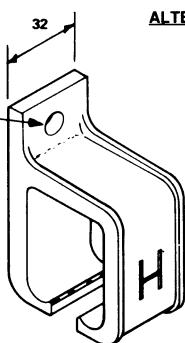
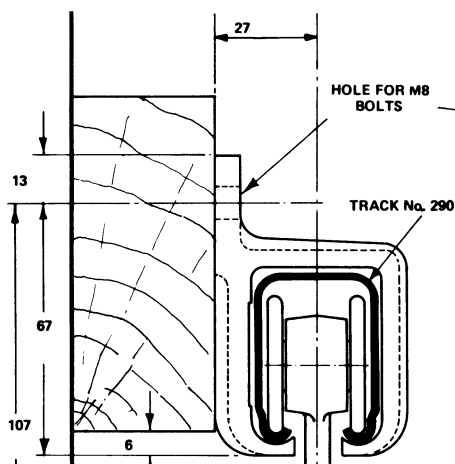
Channel Curve:	601/89	galvanised steel
-----------------------	--------	------------------

Accessories:	Bow Handles, Flush Pulls, Bolts and Locks.
---------------------	--

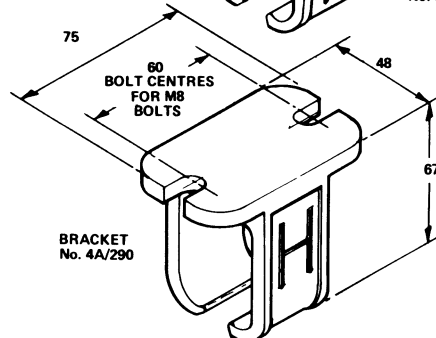
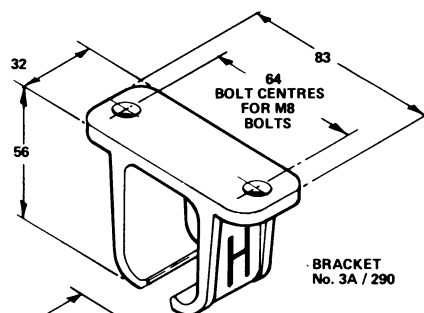


Standard Application

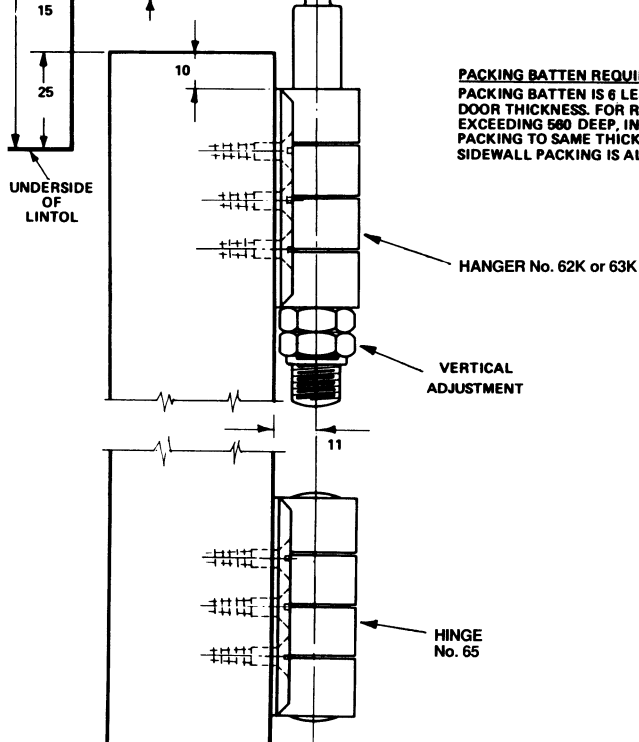
ROUND THE CORNER TANGENT 290



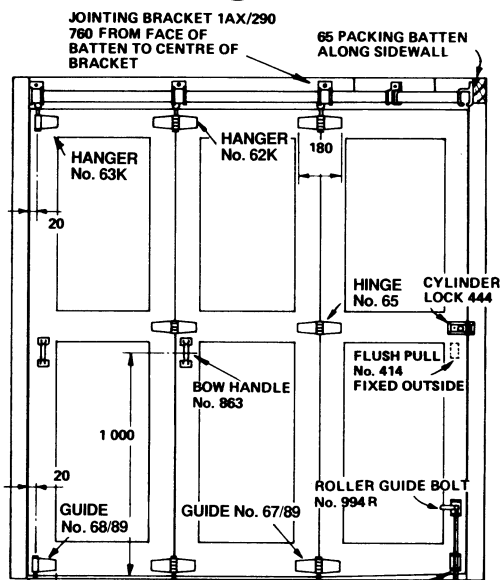
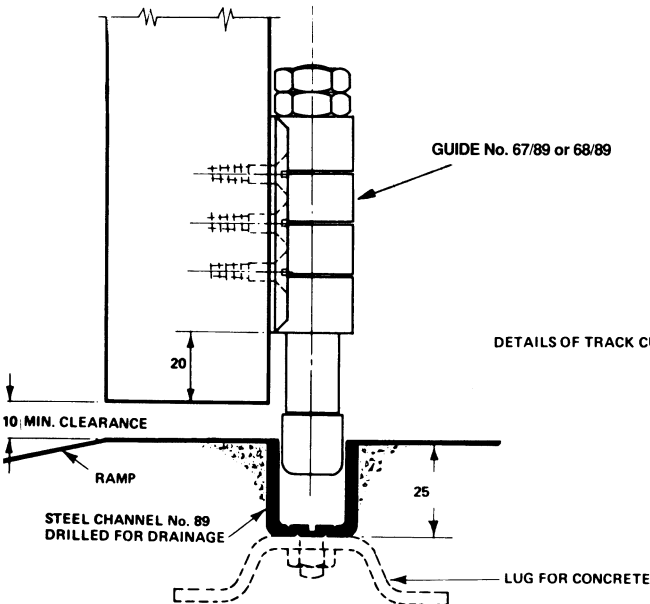
ALTERNATIVE BRACKETS



PACKING BATTEN REQUIREMENTS
 PACKING BATTEN IS 6 LESS THAN DOOR THICKNESS. FOR REVEALS EXCEEDING 580 DEEP, INCREASE PACKING TO SAME THICKNESS AS DOOR. SIDEWALL PACKING IS ALWAYS 65



SECTION SCALE 1 : 2



TYPICAL ELEVATION AS PLAN.

