

# SPARE PARTS CATALOGUE

SECTIONAL &  
UP & OVER DOORS



**HÖRMANN**

18<sup>th</sup> April 2008



**HÖRMANN**

**This parts list shows all common parts & optional extras for our series 2000 sectional & up & over range of garage doors.**

**When ordering parts from this catalogue, please provide the relevant article number.**

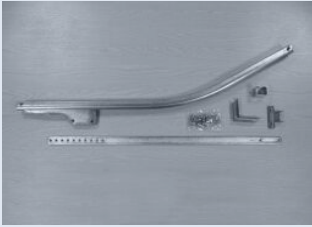
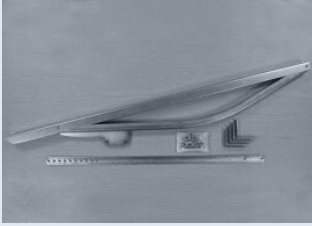


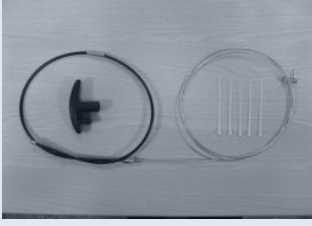

**For other parts not shown in this catalogue, or any parts related queries, please contact:**

**Product Services Dept  
Hörmann (UK) Ltd  
Gee Road  
Coalville  
Leicestershire  
LE67 4JW**

**Tel: 01530 513030**

**Fax: 01530 513031**

Errors & exceptions omitted

Article	Description	Part No		List Price
	Bow arm for Hormann doors	436272		£58.00
	Bow arm for non Hormann doors	436273		£65.00
	De-latching kit for retractable doors	437195		£34.00
	De-latching kit for DF98 & non Hormann doors	437196		£30.00
	Emergency release for retractable doors	437205		£18.00
	Emergency release for sectional doors with handle	437183		£30.00

Article	Description	Part No	List Price
---------	-------------	---------	------------



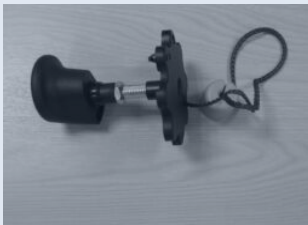
Barrel emergency release
--------------------------

For single skinned sectional & canopy doors	437190		£27.00
For insulated sectional doors	437149		£29.00



Standard black plastic handle for steel up & over doors
---

1024001		£17.50
---------	--	--------



Standard black plastic handle for timber & GRP doors
--

1026001		£17.50
---------	--	--------



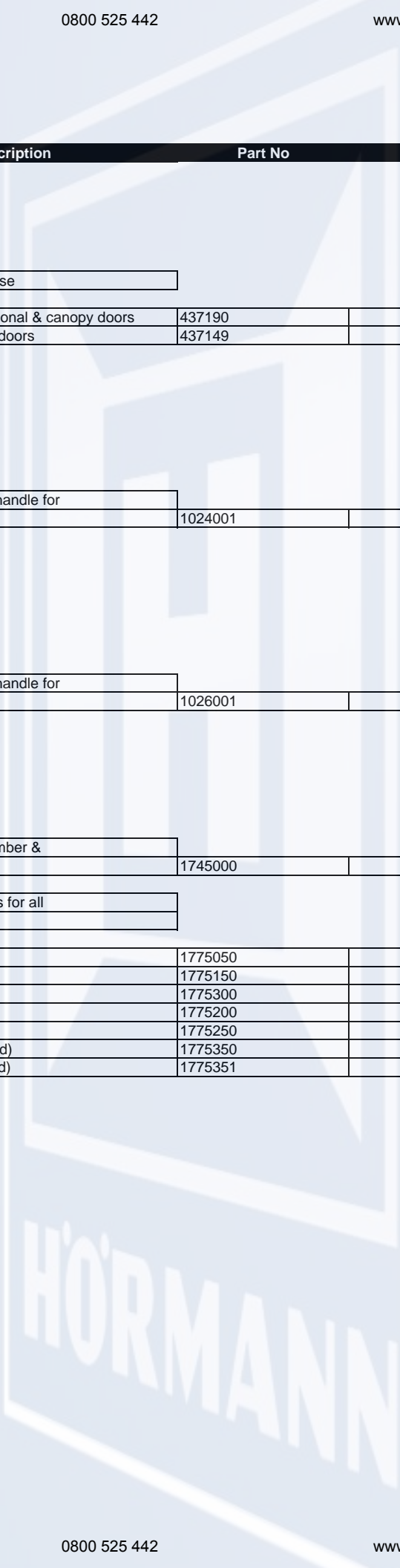
Black fascia plate for timber & GRP doors
---






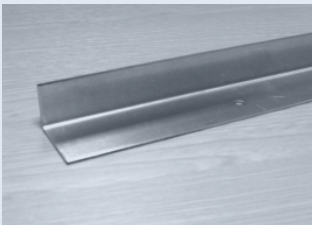
1745000		£12.50
---------	--	--------

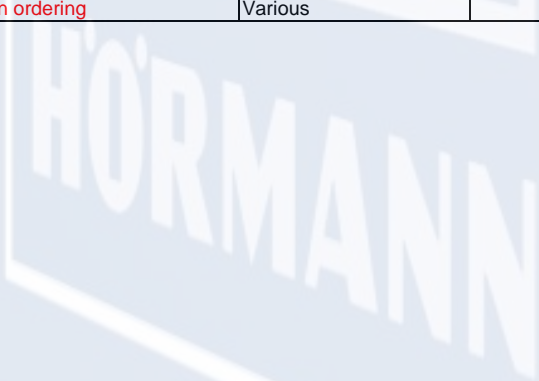



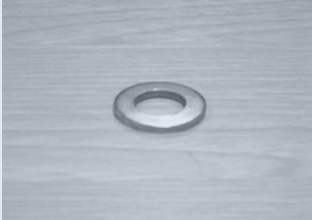




Cast aluminium handles for all up & over doors
--


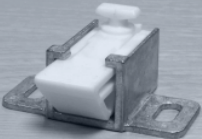
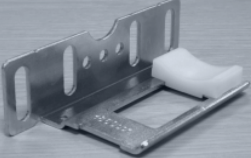



Brass / Gold	1775050		£71.00
Silver	1775150		£71.00
Bronze	1775300		£86.00
White (pictured)	1775200		£86.00
Rustic	1775250		Discontinued
Stainless Steel (polished)	1775350		£106.00
Stainless Steel (brushed)	1775351		£106.00



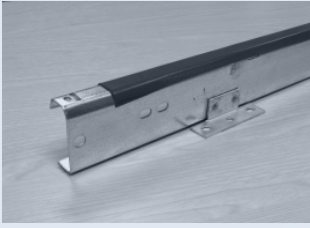


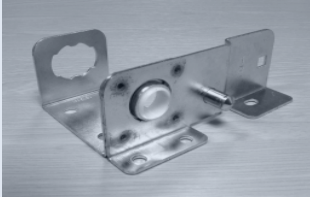


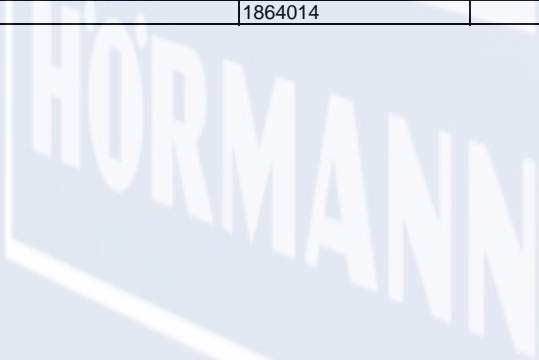
Article	Description	Part No	List Price
	<p>All cylinders are available with the option of being keyed alike at a cost of £49.50 per door. Extra keys are a cost of £10. Keyed alike cylinders are subject to a lead-time of 2 weeks</p>		
	Cylinder 40mm		
	Used on 2001, 2003, 2003, 2004, 2104, 2101, 2204, 2404, 2504 doors	1020001	
			
	Cylinder 45mm		
	Used on 2002 doors	1020002	
			
	Cylinder 50mm		
	Used on 2009, 2016, 2026, 2045, 2109, 2119, 210, 2110 doors	1020003	
			
	Cylinder 60mm		
	Used on 2005, 2007, 2008, 2011, 2013, 2014, 2019, 2020, 2024, 2025, 2034, 2035, 2040, 2041, 2042, 2044, 2047, 2048, 2049, 2050, 2114, 2121, 2122 doors	7002909	
			
	Cylinder 60mm		
	Used on steel side doors	719269	
			
	Galvanised closer angle for unframed doors		
	Specify door width when ordering	Various	



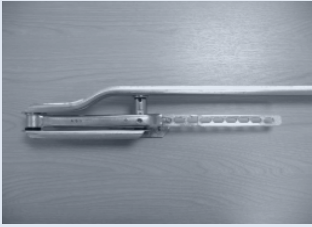
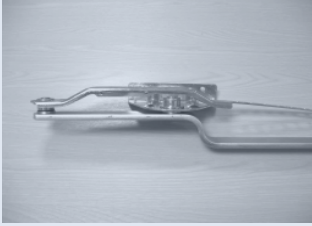



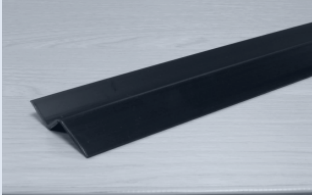
Article	Description	Part No		List Price
	Brass clip	1071000		£0.80
	Steel washer for canopy link arm	1853000		£0.60
	Nylon bush for canopy link arm	1852000		£0.90
	Hold up clip for canopy door on manual operation	1617000		£3.80
	Canopy torsion spring assembly	Various		£70.00
	Canopy vertical track cover profile	7003298		£10.00

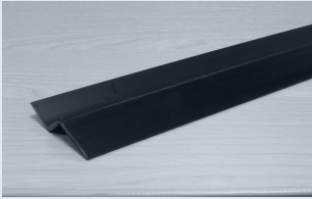
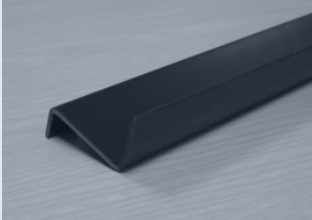
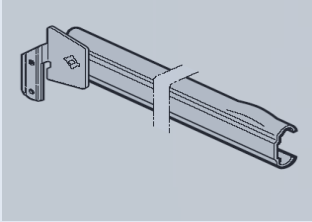
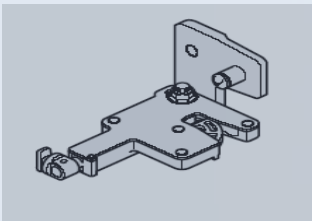
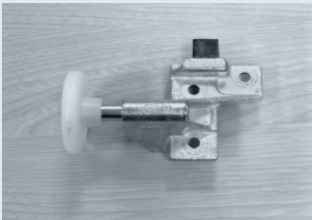
Article	Description	Part No		List Price
	Plastic pop rivet for canopy vertical track cover profile	1835000		£0.80
	Canopy latch assembly	1161805		£7.50
	Canopy latch keep	1860000		£5.00
	Canopy spring loaded roller			
	Left	1891013		£20.50
	Right	1891014		£20.50
	Roller cable for canopy doors	1877015		£8.50
	Canopy cable drum			
	Left	1805003		£5.00
	Right	1805004		£5.00


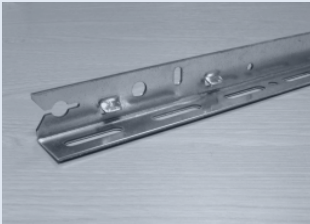


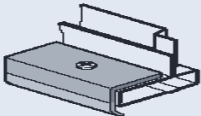
Article	Description	Part No	List Price
	Locking rods		
	Specify door type, style & size when ordering	Various	£7.00
	Canopy arm & track assembly		
	Left	1849515	£25.00
	Right	1849516	£25.00
	Canopy vertical track		
	Left	1816003	£16.00
	Right	1816004	£16.00
	Canopy link arm	1849212	£7.40
	Canopy link arm pivot bracket	1853801	£6.20
	Canopy cable drum bracket		
	Left	1864013	£7.60
	Right	1864014	£7.60



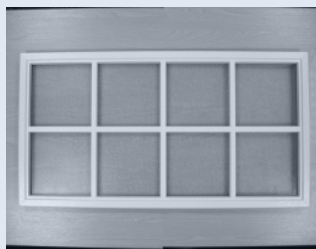


Article	Description	Part No	List Price
	Lifting arm for retractable doors		
	6'4" Left	1049511	£25.00
	6'4" Right	1049512	£25.00
	6'6" Left	1049521	£25.00
	6'6" Right	1049524	£25.00
	7'0" Left	1049553	£25.00
	7'0" Right	1049554	£25.00
	Lifting arm for retractable plus doors - universal		
	6'4"	1049581	£23.00
	6'6"	1049582	£23.00
	7'0"	1049584	£23.00
	Spring cover		
	Retractable	1248010	£8.40
	Retractable plus	1248810	£8.40
	Retractable top weather seal		
	6'4"	1882011	£7.50
	6'6"	1882012	£7.50
	7'0"	1882013	£7.50
	Retractable plus top weather seal		
	6'4"	7004637	£7.50
	6'6"	7004638	£7.50
	7'0"	7004639	£7.50
	Canopy unframed bottom seal		
	6'4"	7003302	£11.00
	6'6"	7003303	£11.00
	7'0"	7003304	£11.00

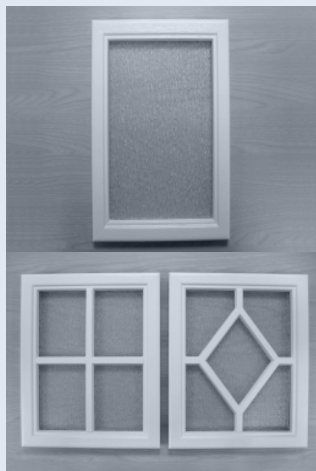
Article	Description	Part No	List Price	
	Retractable unframed bottom seal			
	6'4"	7003299	£5.00	
	6'6"	7003300	£5.00	
	7'0"	7003301	£5.00	
	Retractable plus unframed bottom seal			
	6'4"	7004640	£11.00	
	6'6"	7004641	£11.00	
	7'0"	7004642	£11.00	
	Retractable tracks & pivot points			
	Note that in most cases a track & pivot point should be ordered together as a special tool is required to join the two			
	Pivot point left for unframed door	1276001	£5.00	
	Pivot point right for unframed door	1276002	£5.00	
	Pivot point left for framed door	1076801	£5.00	
	Pivot point right for framed door	1076802	£5.00	
	Track for retractable 6'4"	1078810	£10.00	
	Track for retractable 6'6"	1078820	£10.00	
	Track for retractable 7'0"	1078851	£10.00	
	Track for retractable plus 6'4"	1078801	£10.00	
	Track for retractable plus 6'6"	1078802	£10.00	
	Track for retractable plus 7'0"	1078803	£10.00	
		Retractable latch		
		Steel doors, left	1037313	£18.80
		Steel doors, right	1037314	£18.80
		Timber & GRP doors, left	1148313	£18.80
		Timber & GRP doors, right	1148314	£18.80
		Retractable roller		
		Left	1084803	£12.00
Right		1084804	£12.00	

Article	Description	Part No	List Price
	Retractable spring cluster		
	Specify id no on existing spring when ordering replacement	Various	£32.50
	Universal track support for retractable & retractable plus	1089800	£6.80
	Rear spacer rail for retractable / retractable plus		
	6'06"	1087891	£12.60
	6'08"	1087893	£12.60
	6'10"	1087894	£12.60
	7'00"	1087801	£12.60
	7'03"	1087809	£12.60
	7'05"	1087813	£12.60
	7'06"	1087816	£12.60
	7'08"	1087822	£12.60
	8'00"	1087892	£12.60
	9'00"	1087864	£12.60
	Blister packs		
	For canopy doors:		
	Steel doors on steel frames	16803	£26.50
	Steel doors on timber frames	16804	£29.00
	Timber/GRP doors on steel frames	16813	£26.50
	Timber/GRP doors on timber frames	16814	£29.00
	For retractable doors:		
	Steel doors on steel frames	16801	£26.50
	Steel doors on timber frames	16802	£29.00
	Timber/GRP doors on steel frames	16811	£26.50
	Timber/GRP doors on timber frames	16812	£29.00
	For retractable plus doors:		
	Steel doors on steel frames	16805	£26.50
	Steel doors on timber frames	16806	£29.00
	Timber/GRP doors on steel frames	16815	£26.50
	Timber/GRP doors on timber frames	16816	£29.00
	Bottom weather strip with screws	1578588	£31.00

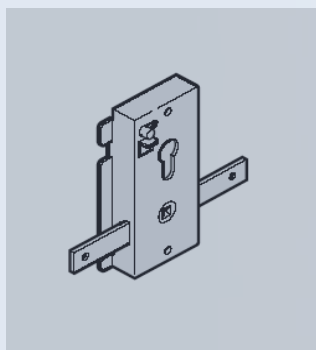
Article	Description	Part No	List Price
---------	-------------	---------	------------



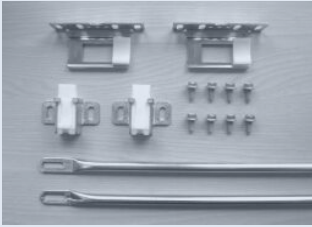
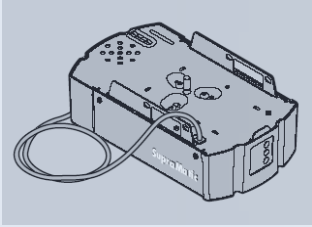



Windows for Ilkley doors	7'00" - 7004110		£85.00
	7'06" - 7004111		£90.00



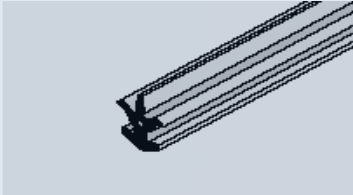
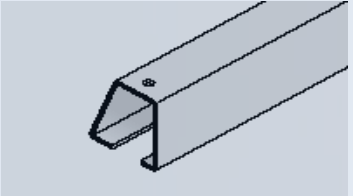
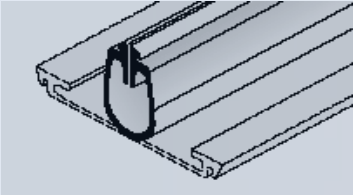
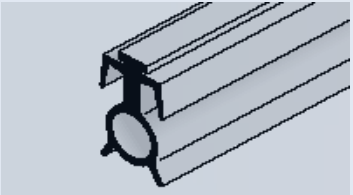
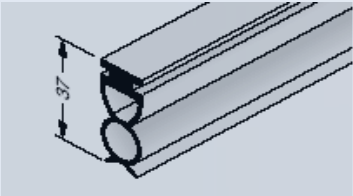
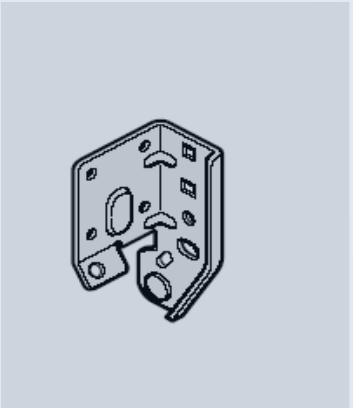
Windows for 2304 Georgian door	Plain - 1709301		£44.50
	Diamond - 1709303		£44.50
	Square - 1709305		£44.50


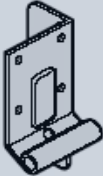
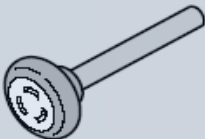


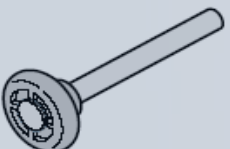
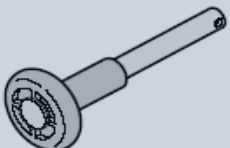


Lockbodys		
For 2001 / 2003 / 2004 / 2104 / 2204 / 2304	1019000	£28.00
as above but with 40mm cylinder included	1019001	£37.50
For 2002 / Timber & GRP	1019100	£28.00

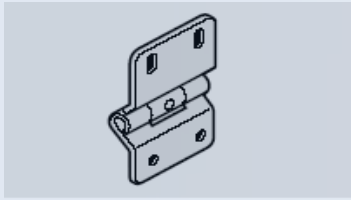
Article	Description	Part No	List Price
	Retro fit 4 - point locking kit		
	Available for retractable, retractable plus & canopy doors		
	<b>When ordering, specify type, style &amp; size of door the kit is required for. If door is a canopy, please specify if it is fitted to a 75mm or 60mm frame</b>		
		Various	£42.00
	Operator head units		
	<b>Note that these units do not include handsets, aerial equipment, bulbs or fixings</b>		
	Supramatic E v1	435052	£136.00
	Supramatic E v2	435846	£136.00
	Supramatic P v2	435906	£150.00
	Supramatic H v2	435951	
	Promatic v2	435666	£118.00
	Promatic Akku v2	435745	
	Ecostar	435267	£109.00
	Bulbs		
	Ecostar / Ecomatic / Promatic (10w 24v bayonet)	438313	£4.30
	Supramatic v1 (40w Edison screw)	438195	£6.50
	Supramatic v2 (Halogen)	7007373	£5.00
	Batteries for hand transmitters		
	12v for HS2 / HS4 / HSM2 / HSM4	7005059	£3.50
	6v for HSE2	7004674	£3.50
	3v for RSE2	7005058	£5.80
	Handsets for older Hörmann operators		
	HS4 handset in 26.995MHz	437607	£60.00
	HSM4 handset in 26.995MHz	437231	£60.00
	HS4 handset in 26.975MHz	437220	£60.00



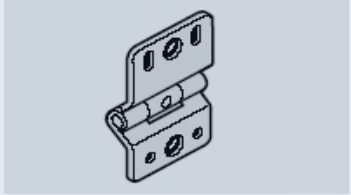
Article	Description	Production Date	Article No	List Price
	Intermediate panel seal for insulated doors	01.06.1999 -	3045684	£2.10 /metre
	Carrier for bottom weather seal	01.06.1999 -	3041117	£7.90 /metre
	Bottom weather seal for LTE, LPU, & EPU doors. Not for LTH, doors with wicket or safety edges	01.06.1999 -	3045652	£31.80 /metre
	Ventilated seal for LTH doors	01.06.1999 -	3040107	£48.30 /metre
	Bottom weather seal for LTE, LPU & EPU doors when used with safety edges	01.06.1999 -	3054462	£26.30 /metre
	Bottom roller bracket for N, L or H			
	Right	01.06.1999 -	3047248	£8.90
	Left	01.06.1999 -	3047249	£8.90

Article	Description	Production Date	Article No	List Price
	Pin & spacer for bottom bracket on N, L or H	01.06.1999 -	3054028	£4.00
	Bottom roller bracket for Z			
	Right	01.06.1999 -	3055053	£6.40
	Left	01.06.1999 -	3055052	£6.40
	Bottom wheel for Z	01.06.1999 -	3047259	£7.30
	Bottom wheel for N, L or H	01.06.1999 -	3040311	£5.10
	Intermediate wheel for N, L & Z	01.06.1999 -	3039956	£5.10
	Intermediate wheel for H	01.06.1999 -	3041112	£8.40
	Top wheel for H	01.06.1999 -	3041113	£9.30

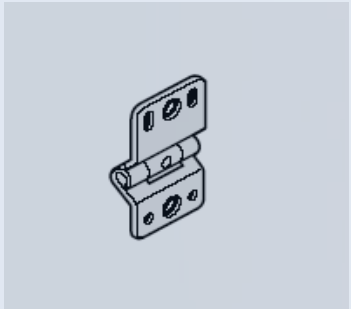
Article	Description	Production Date	Article No	List Price
---------	-------------	-----------------	------------	------------



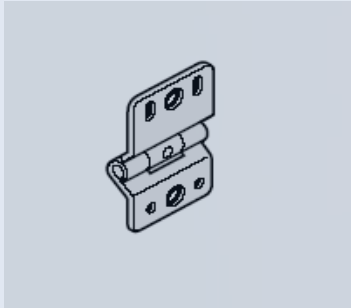
Panel hinge (not for LTH & wicket doors	01.06.1999 -	3045117	£5.40
---	--------------	---------	-------



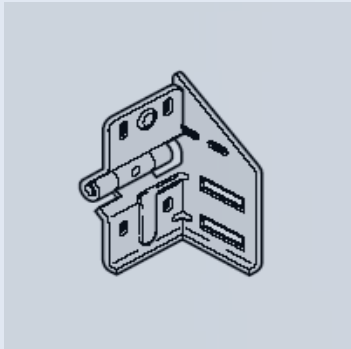
Panel hinge for LTH	01.06.1999 -	3045119	£5.40
---------------------	--------------	---------	-------



Panel hinge for wicket door	01.06.1999 -	3040909	£5.10
-----------------------------	--------------	---------	-------

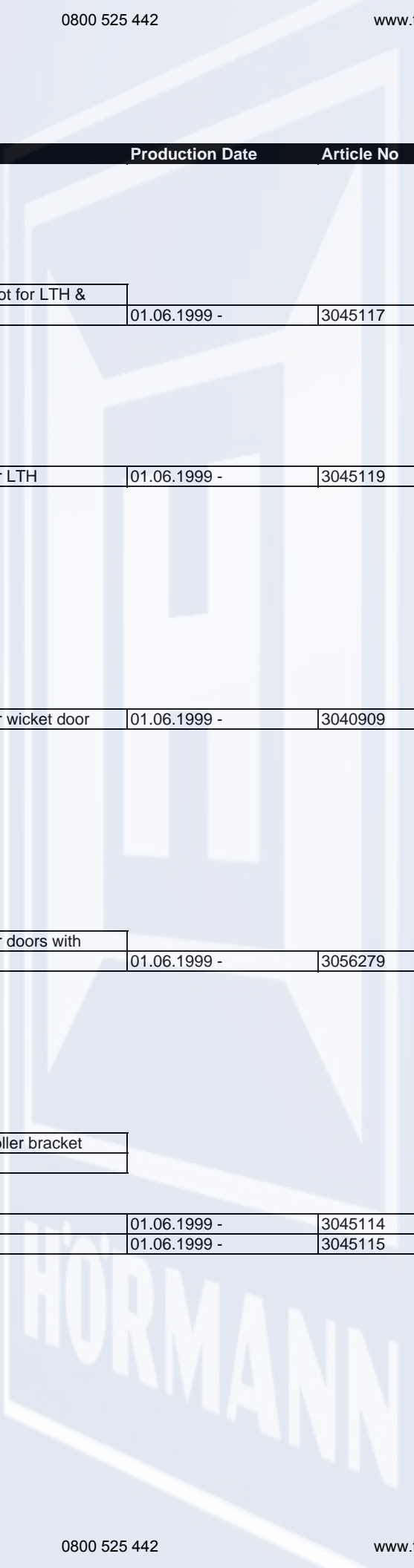


Panel hinge for doors with wicket	01.06.1999 -	3056279	£5.50
-----------------------------------	--------------	---------	-------



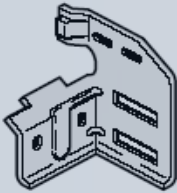
Intermediate roller bracket for N, L or Z
---

Right	01.06.1999 -	3045114	£7.90
Left	01.06.1999 -	3045115	£7.90



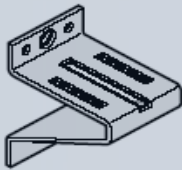


Article	Description	Production Date	Article No	List Price
---------	-------------	-----------------	------------	------------



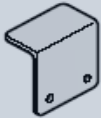
Top roller bracket for N

Right	01.06.1999 -	3045112	£9.50
Left	01.06.1999 -	3045113	£9.50



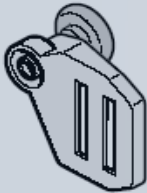
Top & intermediate roller  
bracket for H

	01.06.1999 -	3039947	£6.90
--	--------------	---------	-------



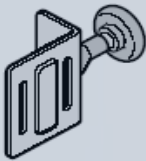
Landing plate for stop buffer  
on H

	01.06.1999 -	3041158	£4.50
--	--------------	---------	-------



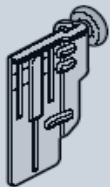
Top roller & bracket for N

Right	01.06.1999 -	3045403	£10.90
Left	01.06.1999 -	3045402	£10.90





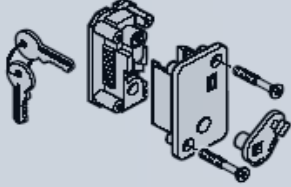
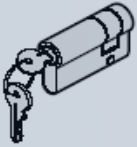
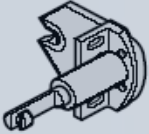


Top roller & bracket for L


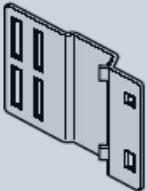



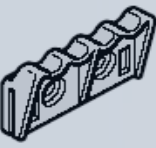
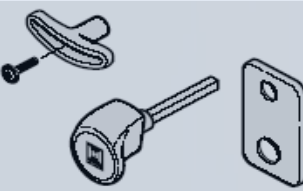
	01.06.1999 -	3047254	£8.80
--	--------------	---------	-------



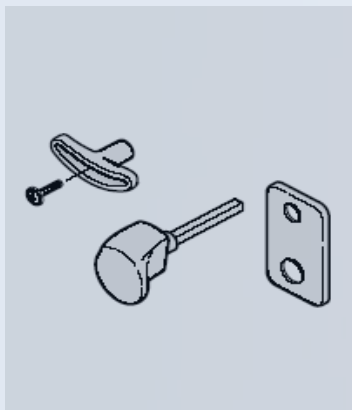
Top roller & bracket for Z

Right	01.06.1999 -	3047261	£8.80
Left	01.06.1999 -	3047260	£8.80

Article	Description	Production Date	Article No	List Price
	Roller holder	01.06.1999 -	3039099	£5.50
	Roller holder for H	01.06.1999 -	3039948	£5.00
	Lock body & cylinder	01.06.1999 -	3045163	£45.50
	<p>All cylinders are available with the option of being keyed alike at a cost of £49.50 per door. Extra keys are a cost of £10. Keyed alike cylinders are subject to a leadtime of 2 weeks</p>			
	Cylinder 40mm	01.06.1999 -	3045165	£17.90
	Rotary latch for H	01.06.1999 -	3017389	£24.80
	Rotary latch for N, L & Z	01.06.1999 -	3047226	£24.80
	Latch bolt for H	01.06.1999 -	3045198	£9.50

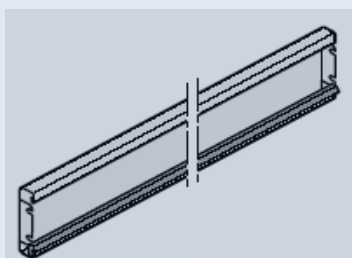
Article	Description	Production Date	Article No	List Price
	Latch bolt for N, L & Z	01.06.1999 -	3047225	£9.50
	Latch bolt plate	01.06.1999 -	3047258	£5.50
	Locking rod cut to length	01.06.1999 -	3040280	£13.00
	Locking rod coupling	01.06.1999 -	3046238	£9.50
	Internal T bar for door with wicket			
	Right	01.06.1999 -	3054119	£36.00
	Left	01.06.1999 -	3054120	£36.00
	Internal grab handle	01.06.1999 -	3047367	£4.80
	Black plastic handle	01.06.1999 -	3053601	£22.00

Article	Description	Production Date	Article No	List Price
---------	-------------	-----------------	------------	------------



Coloured aluminium handles
----------------------------

Silver	01.03.2000 -	3053585	£78.00
Gold / Brass	01.03.2000 -	3053586	£78.00
White	01.03.2000 -	3053588	£90.00
Rustic	01.03.2000 -	3053589	£90.00
Bronze	01.03.2000 -	3053587	£90.00
Brushed stainless steel	01.03.2000 -	3059741	£90.00
Polished stainless steel	01.03.2000 -	3053590	£107.00



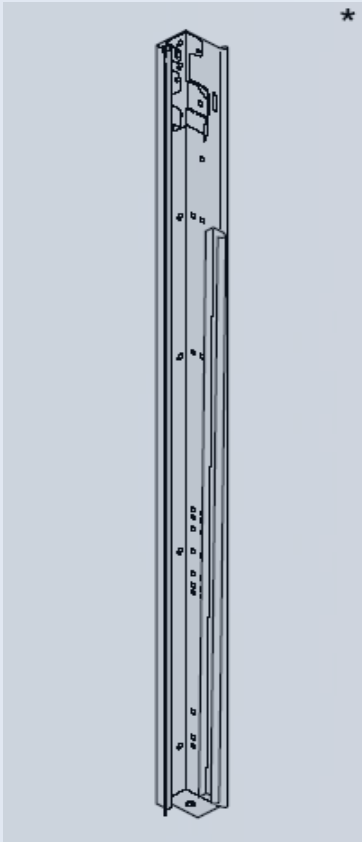
Single skinned fascias
------------------------

95mm Woodgrain RAL 9016	01.06.1999 -	3054144	£27.60
125mm Woodgrain RAL 9016	01.03.2000 -	3054155	£20.70
95mm Silkgrain RAL 9016	01.03.2003 -	3059743	£31.70
95mm Decograin G/Oak	01.03.2005 -	3064289	£31.70
95mm Decograin Mahogany	01.03.2006 -	3070009	£31.70

Other colours on request	Priced per metre
--------------------------	------------------

N Track, RM = 1875	Complete Fitting Packs	3047469	£184.00	
N Track, RM = 2000		3047468	£192.00	
N Track, RM = 2125		3047467	£199.00	
N Track, RM = 2250		3047466	£206.00	
N Track, RM = 2375		3047465	£214.00	
N Track, RM = 2500		3047464	£220.00	
L Track, RM = 1875		3047480	£273.00	
L Track, RM = 2000		3047479	£281.00	
L Track, RM = 2125		3047478	£289.00	
L Track, RM = 2250		3047477	£296.00	
L Track, RM = 2375		3047476	£303.00	
L Track, RM = 2500		3047475	£309.00	
Z Track, RM = 1875		3053106	£184.00	
Z Track, RM = 2000		3053105	£192.00	
Z Track, RM = 2125		3053104	£199.00	
Z Track, RM = 2250		3053103	£206.00	
Z Track, RM = 2375		3053102	£214.00	
Z Track, RM = 2500		3053101	£220.00	
Other standard sizes & special sizes by request.		RM = Ordering size		

Article	Description	Production Date	Article No	List Price
---------	-------------	-----------------	------------	------------

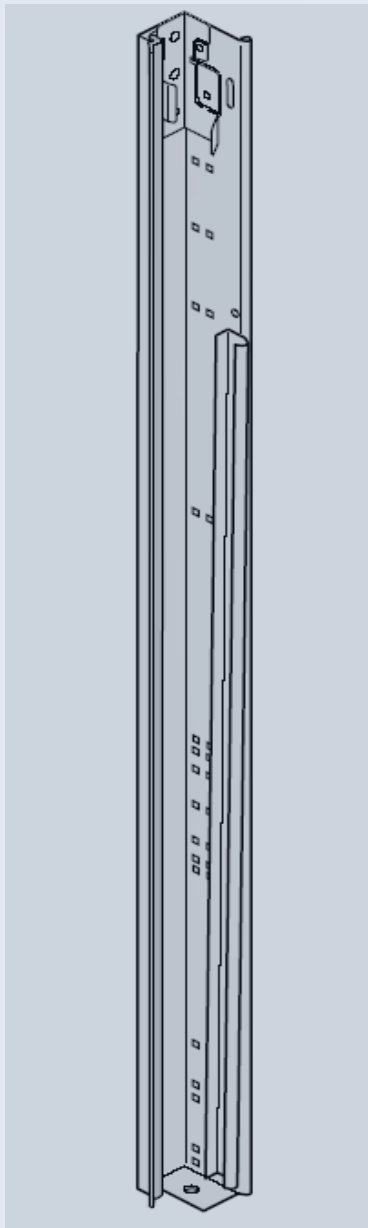


Vertical track for N

Calculated as ordering height  
(RM) + 210

Right	01.06.1999 -	3047352	£77.20 /metre
Left	01.06.1999 -	3047351	£77.20 /metre

Article	Description	Production Date	Article No	List Price
---------	-------------	-----------------	------------	------------

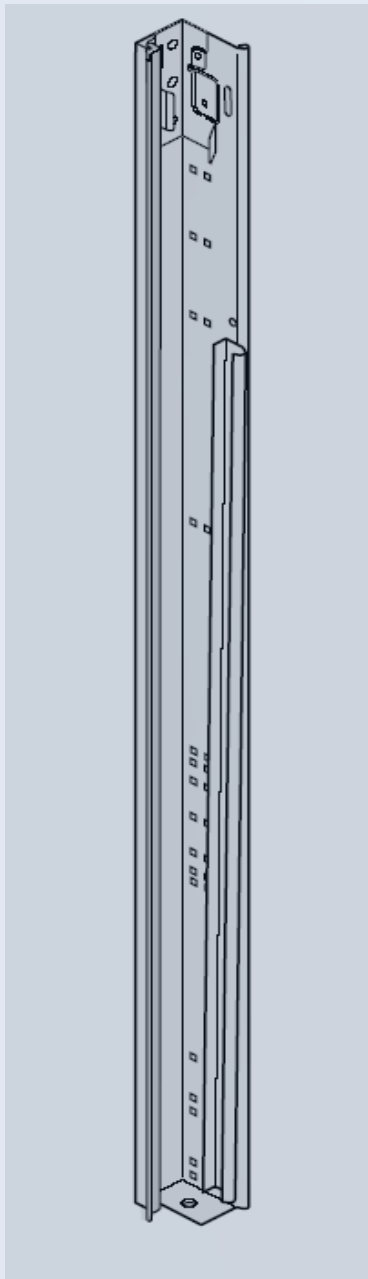


Vertical track for L

Calculated as ordering height  
(RM) + 100

Right	01.06.1999 -	3057681	£77.20 /metre
Left	01.06.1999 -	3057680	£77.20 /metre

Article	Description	Production Date	Article No	List Price
---------	-------------	-----------------	------------	------------

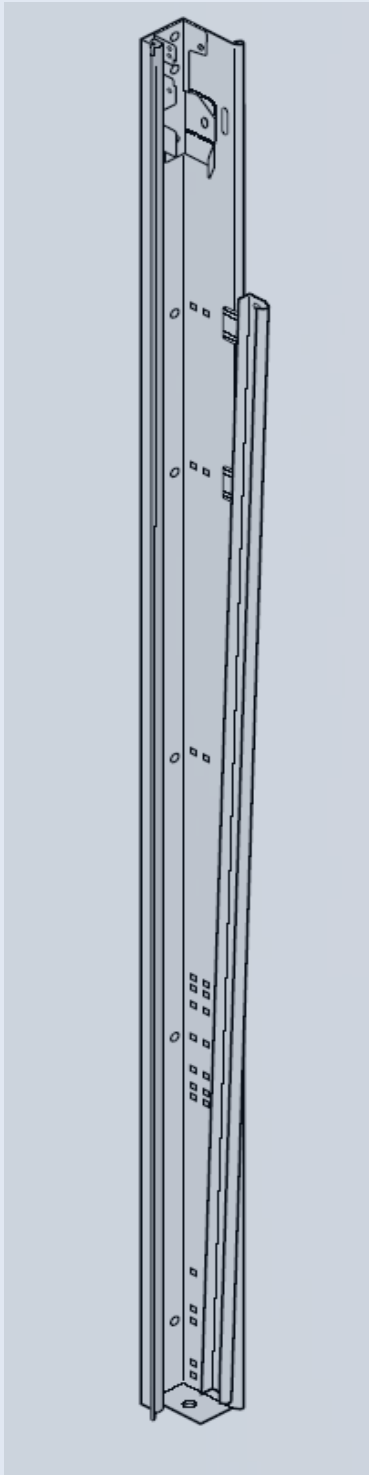


Vertical track for Z

Calculated as ordering height  
(RM) + 100

Right	01.09.1999 -	3057674	£77.20 /metre
Left	01.09.1999 -	3057673	£77.20 /metre

Article	Description	Production Date	Article No	List Price
---------	-------------	-----------------	------------	------------



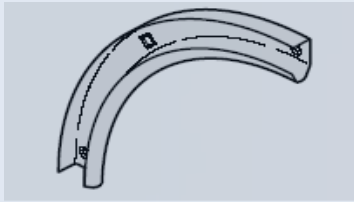
Vertical track for H

Calculated as track height  
(LH) + 97

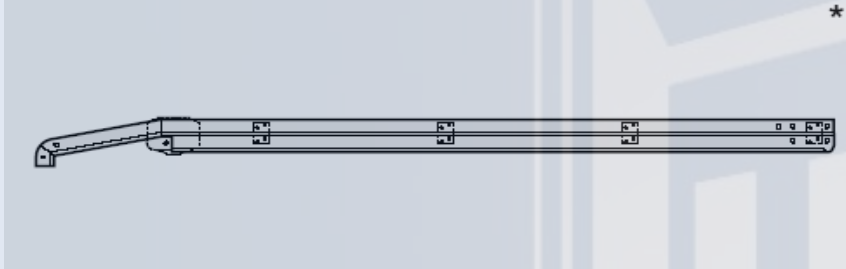
Right	01.06.1999 -	3053693	£89.70 /metre
Left	01.06.1999 -	3053692	£89.70 /metre



Article	Description	Production Date	Article No	List Price
---------	-------------	-----------------	------------	------------



90 degree track radius	01.06.1999 -	3038297	£31.70
------------------------	--------------	---------	--------



Calculated as ordering height  
(RM) + 470

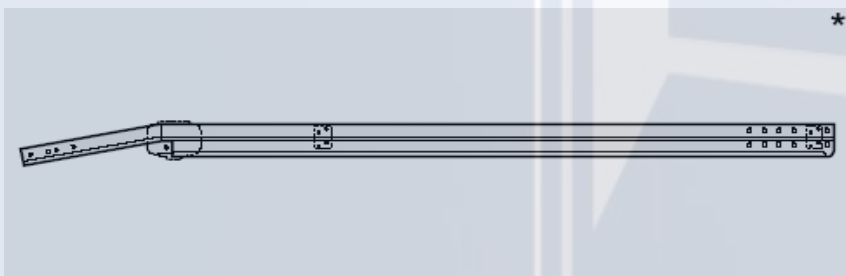
Horizontal track for N	Right	01.06.1999 -	3047354	£66.20 /metre
	Left	01.06.1999 -	3047353	£66.20 /metre



Calculated as ordering height  
(RM) + 470 for Z

Calculated as ordering height  
(RM) + 550 for L

Horizontal track for L, Z	Right	01.06.1999 -	3047097	£66.20 /metre
	Left	01.06.1999 -	3047098	£66.20 /metre

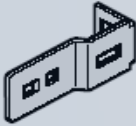



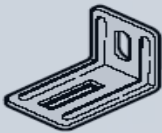
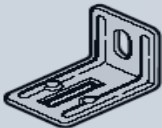


When ordering please quote  
original order no and / or full  
details from door ID plate

Horizontal track for H	Right	01.06.1999 -	3053697	£66.20 /metre
	Left	01.06.1999 -	3053696	£66.20 /metre



Rear spacer bar	01.06.1999 -	3038670	£24.80 /metre
-----------------	--------------	---------	---------------

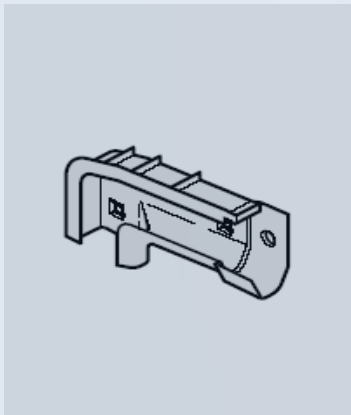
Article	Description	Production Date	Article No	List Price
	Spacer rail fixing bracket	01.06.1999 -	3047042	£4.80
	Horizontal track support	01.06.1999 -	3047047	£8.80
	Horizontal track support bracket	01.06.1999 -	3047045	£4.00
	Clamping plate for horizontal track	01.06.1999 -	3047043	£2.60
	Frame fixing bracket N, L & Z	01.06.1999 -	3054161	£3.30
	Frame fixing bracket H	01.06.1999 -	3054146	£4.80

Article	Description	Production Date	Article No	List Price
---------	-------------	-----------------	------------	------------



As of Oct 2007, this part will be of a strong, moulded plastic design

Buffer spring for L, Z	01.06.1999 -	3045996	£5.70
------------------------	--------------	---------	-------



Track casting for L, Z

Cast Steel

Right	01.06.1999 -	3047090	£11.60
Left	01.06.1999 -	3047089	£11.60

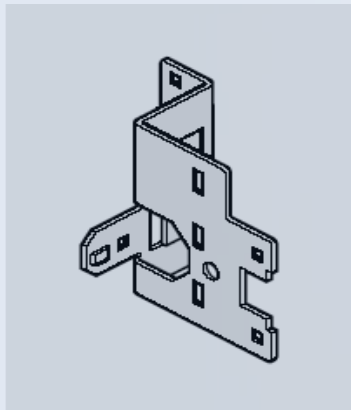
Moulded plastic

Right	12.03.2007-	3072563	£11.60
Left	12.03.2007-	3072562	£11.60



Cable drum finger protection for L

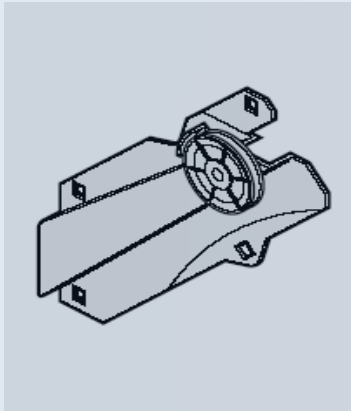
	01.06.1999 -	3047377	£4.80
--	--------------	---------	-------



Spring bracket for L

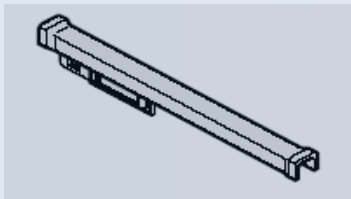
Right	01.06.1999 -	3057524	£11.60
Left	01.06.1999 -	3057523	£11.60

Article	Description	Production Date	Article No	List Price
---------	-------------	-----------------	------------	------------



Cable pulley for L

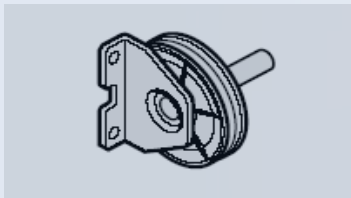
Right	01.06.1999 -	3047435	£34.50
Left	01.06.1999 -	3047434	£34.50



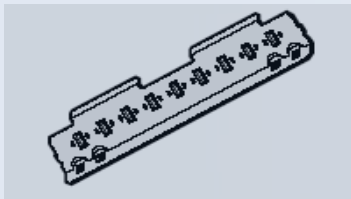
Track end stop for Z	01.09.1999 -	3047253	£6.30
----------------------	--------------	---------	-------



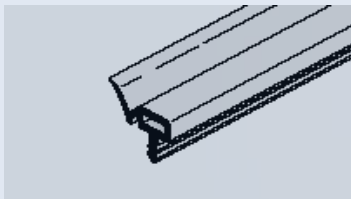
Cable clasp for Z	01.09.1999 -	3045342	£4.80
-------------------	--------------	---------	-------



Cable pulley for Z	01.09.1999 -	3047257	£8.80
--------------------	--------------	---------	-------

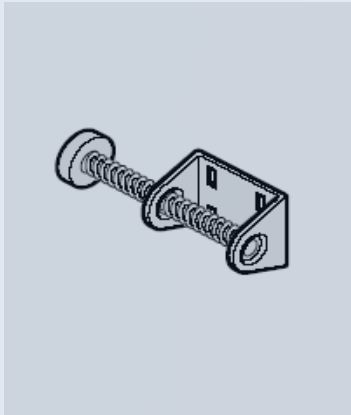


Tension plate for Z	01.09.1999 -	3047229	£4.80
---------------------	--------------	---------	-------

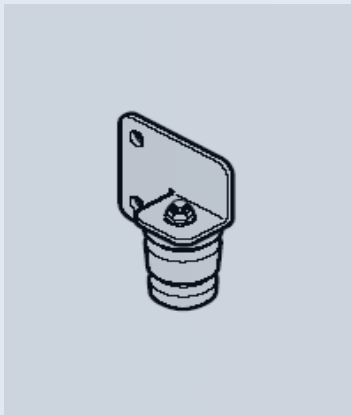


Seal for vertical frame	01.06.1999 -	3051888	£5.50 /metre
-------------------------	--------------	---------	--------------

Article	Description	Production Date	Article No	List Price
---------	-------------	-----------------	------------	------------

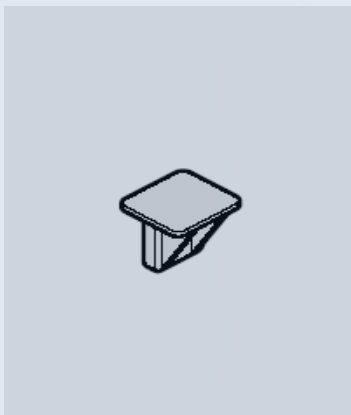


Spring buffer for H	01.06.1999 -	3055175	£22.10
---------------------	--------------	---------	--------

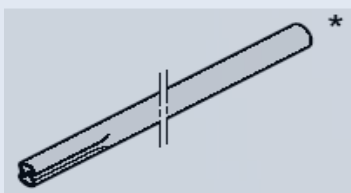


Buffer stop for H

Right	01.06.1999 -	3040531	£45.50
Left	01.06.1999 -	3040532	£45.50


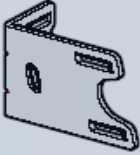

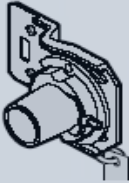

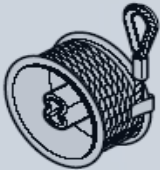
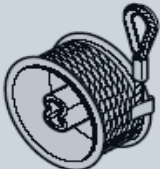


Buffer stop landing plate	01.06.1999 -	3039706	£7.60
---------------------------	--------------	---------	-------

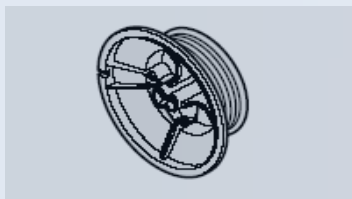


Spring shaft

Right	01.06.1999 -	3051055	£34.50 /metre
Left	01.06.1999 -	3051054	£34.50 /metre

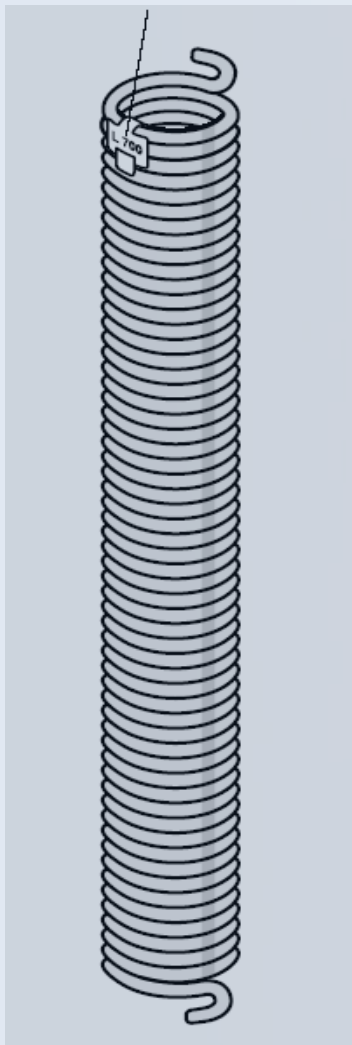
Article	Description	Production Date	Article No	List Price
	Spring shaft holder	01.06.1999 -	3047375	£6.10
	Spring shaft holder bracket	01.06.1999 -	3047378	£5.40
	Spring shaft coupling	01.06.1999 -	3007014	£14.20
	Safety Brake			
	Right	01.06.1999 -	3047243	£49.70
	Left	01.06.1999 -	3047242	£49.70
	Spring tightening cone	01.06.1999 -	3042114	£14.20
	Cable drum for N, L upto door height of 2250			
	Right	01.06.1999 - 01.03.2005	3047427	£38.60
	Left	01.06.1999 - 01.03.2005	3047426	£38.60
	Cable drum for N, L upto door height of 2250			
	Right	01.03.2005 -	3064291	£33.10
	Left	01.03.2005 -	3064290	£33.10

Article	Description	Production Date	Article No	List Price
---------	-------------	-----------------	------------	------------



Cable drum for H
------------------

Right	01.06.1999 -	3047429	£34.50
Left	01.06.1999 -	3047428	£34.50

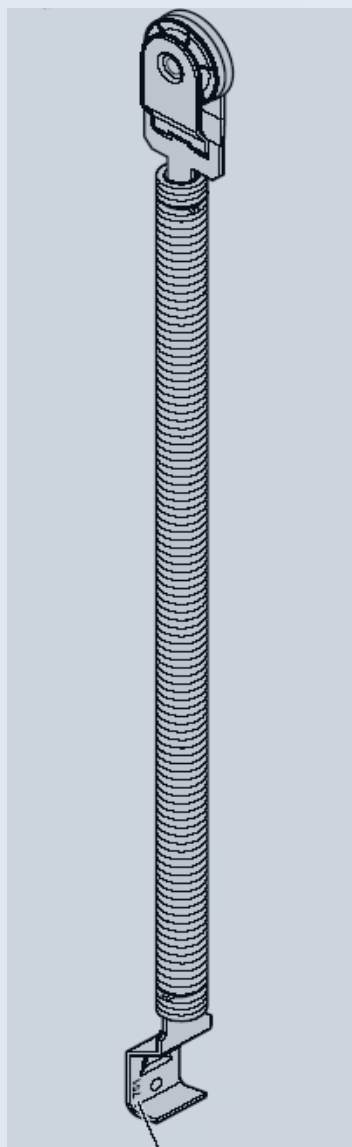


Torsion springs for N, L & H
------------------------------

R700	01.06.1999 -	3051014	£95.20
L700	01.06.1999 -	3051015	£95.20
R701	01.06.1999 -	3051016	£91.00
L701	01.06.1999 -	3051017	£91.00
R702	01.06.1999 -	3051018	£92.40
L702	01.06.1999 -	3051019	£92.40
R703	01.06.1999 -	3051020	£92.40
L703	01.06.1999 -	3051021	£92.40
R704	01.06.1999 -	3051022	£110.30
L704	01.06.1999 -	3051023	£110.30
R705	01.06.1999 -	3051024	£126.90
L705	01.06.1999 -	3051025	£126.90
R706	01.06.1999 -	3051026	£120
L706	01.06.1999 -	3051027	£120
R707	01.06.1999 -	3051028	£153.10
L707	01.06.1999 -	3051029	£153.10
R708	01.06.1999 -	3051030	£191.70
L708	01.06.1999 -	3051031	£191.70
R709	01.06.1999 -	3053617	£231.70
L709	01.06.1999 -	3053618	£231.70
R720	01.06.1999 -	3051032	£110.30
L720	01.06.1999 -	3051033	£110.30
R721	01.06.1999 -	3051034	£110.30
L721	01.06.1999 -	3051035	£110.30
R722	01.06.1999 -	3051036	£110.30
L722	01.06.1999 -	3051037	£110.30
R723	01.06.1999 -	3051038	£111.70
L723	01.06.1999 -	3051039	£111.70
R724	01.06.1999 -	3051040	£140.70
L724	01.06.1999 -	3051041	£140.70
R725	01.06.1999 -	3051042	£191.70
L725	01.06.1999 -	3051043	£191.70
R726	01.06.1999 -	3051044	£231.70
L726	01.06.1999 -	3051045	£231.70
R727	01.06.1999 -	3051046	£211.00
L727	01.06.1999 -	3051047	£211.00
R728	01.06.1999 -	3051048	£211.00
L728	01.06.1999 -	3051049	£211.00
R729	01.06.1999 -	3053619	£256.50
L729	01.06.1999 -	3053620	£256.50
R743	05.06.2000 -	3054471	£143.40
L743	05.06.2000 -	3054472	£143.40
R744	05.06.2000 -	3054473	£177.90
L744	05.06.2000 -	3054474	£177.90
R748	05.06.2000 -	3054475	£154.50
L748	05.06.2000 -	3054476	£154.50
R749	05.06.2000 -	3054477	£209.70
L749	05.06.2000 -	3054478	£209.70

Please quote tag no on existing spring when ordering. If this is not available, please obtain spring no's from door ID plate, or quote door type / age / style & size so correct spring can be ascertained

Article	Description	Production Date	Article No	List Price
---------	-------------	-----------------	------------	------------

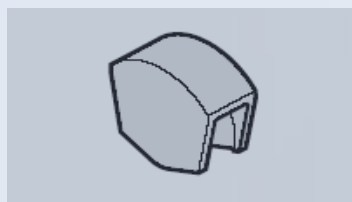


Please note spring no at  
bottom of existing spring  
when ordering replacements

Tension spring for Z

740	01.03.2004 -	3061848	£89.60
741	01.03.2004 -	3061849	£91.00
751	01.09.1999 -	3051059	£91.00
752	01.09.1999 -	3051060	£92.40
753	01.09.1999 -	3051061	£96.50
754	01.09.1999 -	3051062	£99.30
755	01.09.1999 -	3051063	£102.10
756	01.09.1999 -	3051064	£125.50
760	01.09.1999 -	3051065	£96.50
761	01.09.1999 -	3051066	£102.10
762	01.09.1999 -	3051067	£103.40
763	01.09.1999 -	3051068	£107.60
764	01.09.1999 -	3051069	£110.30
765	01.09.1999 -	3051070	£113.10
766	01.09.1999 -	3051071	£136.50
772	01.02.2000 -	3054887	£125.50
773	01.02.2000 -	3054888	£132.40
776	01.02.2000 -	3054889	£151.70
777	01.02.2000 -	3054890	£157.20
782	01.06.2003 -	3056284	£137.90
783	01.06.2003 -	3056280	£149.00
786	01.06.2003 -	3056281	£183.40
787	01.06.2003 -	3056285	£190.30

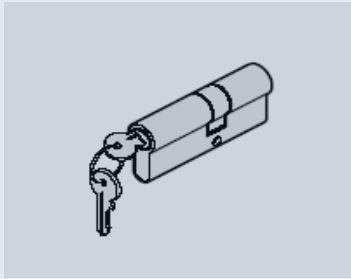
757	01.03.2006 -	3065910	£146.20
758	01.03.2006 -	3065911	£154.50
767	01.03.2006 -	3065912	£168.30
768	01.03.2006 -	3065913	£186.20
770	01.06.2003 -	3055156	£120
771	01.06.2003 -	3055157	£125.50
778	01.03.2006 -	3065914	£209.60
779	01.03.2006 -	3065915	£223.40
780	01.06.2003 -	3056282	£132.40
781	01.06.2003 -	3056283	£137.90
788	01.03.2006 -	3065916	£224.80
789	01.03.2006 -	3065917	£257.90



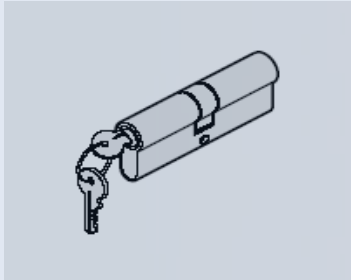
Spring wheel guard for Z	01.03.2006 -	3054869	£3.90
--------------------------	--------------	---------	-------



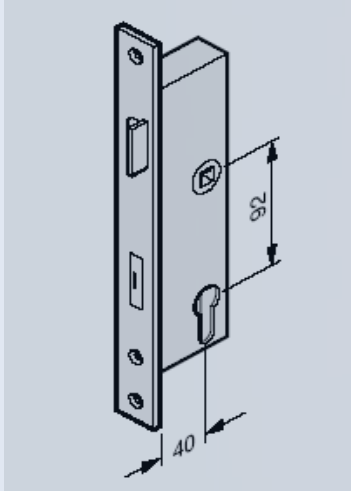
Article	Description	Production Date	Article No	List Price
---------	-------------	-----------------	------------	------------



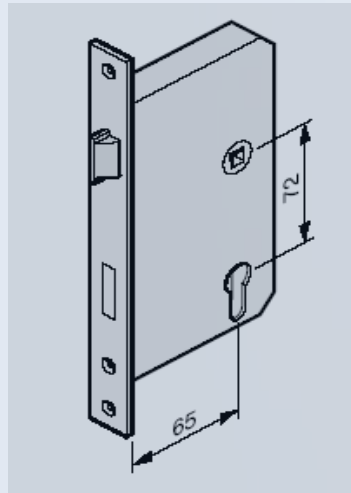
Cylinder for profile 1 & LTH side doors & wicket doors (35mm + 30mm)	01.06.1999 -	3042227	£26.20
--	--------------	---------	--------



Cylinder for profile 2 side doors (35mm + 35mm)	01.06.1999 -	3043298	£31.70
---	--------------	---------	--------

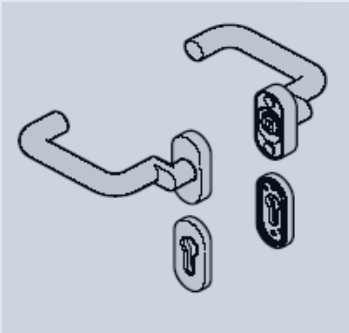


Wicket door lock body	01.06.1999 -	3050981	£48.30
-----------------------	--------------	---------	--------

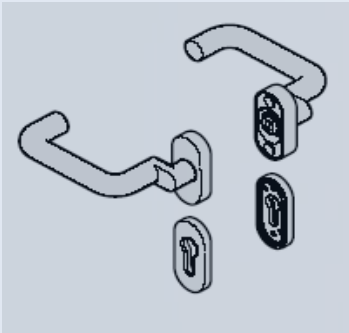


Side door lock body			
Right	01.06.1999 -	3040516	£40
Left	01.06.1999 -	3040438	£40

Article	Description	Production Date	Article No	List Price
---------	-------------	-----------------	------------	------------

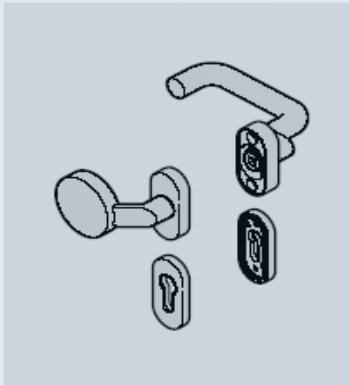


Black plastic lever / lever				
handle for side doors	01.06.1999 -	3050905	£38.60	

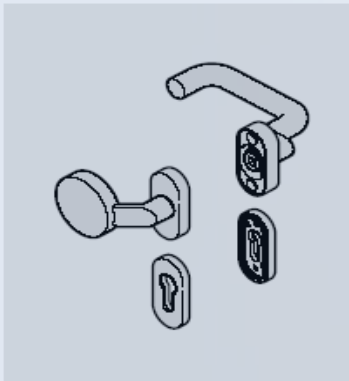


Coloured aluminium lever /				
lever handles for side doors				

Silver	01.06.1999 -	3050746	£92.00	
Gold / brass	01.06.1999 -	3050748	£92.00	
White	01.06.1999 -	3053576	£113	
Rustic	01.06.1999 -	3053577	Discontinued	
Bronze	01.06.1999 -	3053578	£113	
Brushed stainless steel	01.06.1999 -	3059622	£125.00	
Polished stainless steel	01.06.1999 -	3053579	£140.00	



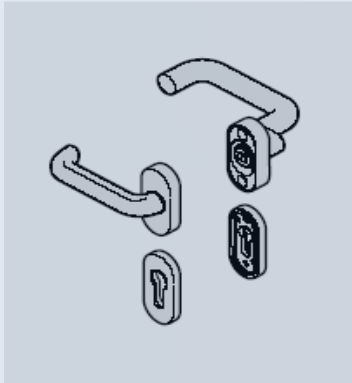
Black plastic lever / knob				
handle for side doors	01.06.1999 -	3050745	£50.00	



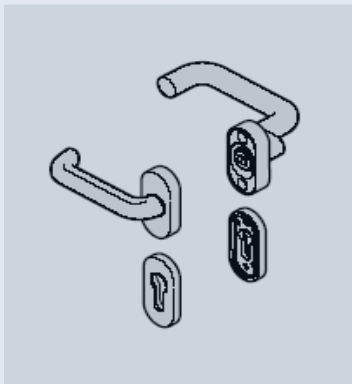
Coloured aluminium lever /				
knob handles for side doors				

Silver	01.06.1999 -	3050747	£107.00	
Gold / brass	01.06.1999 -	3050749	£107.00	
White	01.06.1999 -	3053580	£134.00	
Rustic	01.06.1999 -	3053581	Discontinued	
Bronze	01.06.1999 -	3053582	£134.00	
Brushed stainless steel	01.06.1999 -	3059624	£145.00	
Polished stainless steel	01.06.1999 -	3053583	£164.00	

Article	Description	Production Date	Article No	List Price
---------	-------------	-----------------	------------	------------

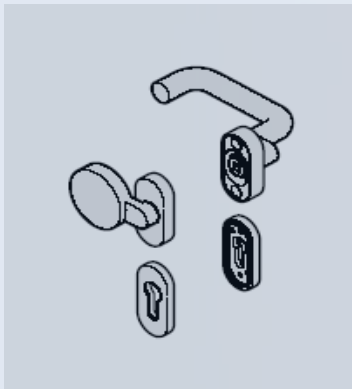


Black plastic lever / lever handle for wicket doors	01.06.1999 -	3050966	£38.60
--	--------------	---------	--------

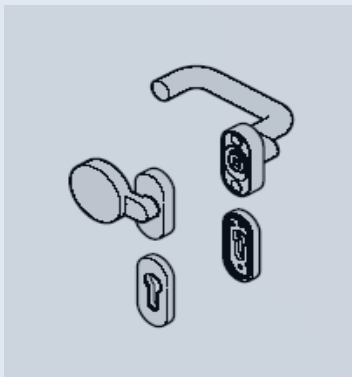


Coloured aluminium lever /  
lever handles for wicket doors

Silver	01.06.1999 -	3050967	£92.00
Gold / brass	01.06.1999 -	3050968	£92.00
White	01.06.1999 -	3053568	£113.00
Rustic	01.06.1999 -	3053569	Discontinued
Bronze	01.06.1999 -	3053570	£113.00
Brushed stainless steel	01.06.1999 -	3059640	£125.00
Polished stainless steel	01.06.1999 -	3053571	£142.00



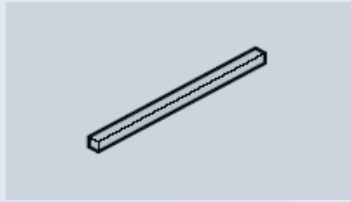
Black plastic lever / knob handle for wicket doors	01.05.2000 -	3050969	£51.00
---	--------------	---------	--------



Coloured aluminium lever /  
knob handles for wicket doors

Silver	01.05.2000 -	3050970	£107.00
Gold / brass	01.05.2000 -	3050971	£107.00
White	01.05.2000 -	3053572	£134.00
Rustic	01.05.2000 -	3053573	Discontinued
Bronze	01.05.2000 -	3053574	£134.00
Brushed stainless steel	01.05.2000 -	3059641	£145.00
Polished stainless steel	01.05.2000 -	3053575	£164.00

Article	Description	Production Date	Article No	List Price
---------	-------------	-----------------	------------	------------



Lever / lever handle shaft
----------------------------

For wicket doors	01.06.1999 -	3053786	£4.80
For side doors	01.06.1999 -	3053778	£4.80



Lever / knob handle shaft
---------------------------

for wicket & side door	01.06.1999 -	3053780	£10.90
------------------------	--------------	---------	--------



Cables for N track
--------------------

upto 2250 high	01.03.2005 -	3064375	£15.20
over 2250 high	01.06.1999 -	3064376	£17.90

Cables for L track
--------------------

Upto 2065 high	01.03.2005 -	3064358	£46.90
Upto 2190 high	01.03.2005 -	3064359	£52.40
Upto 2240 high	01.03.2005 -	3064360	£52.40
Upto 2250 high	01.03.2005 -	3064361	£52.40
Upto 2490 high	01.06.1999 -	3064362	£52.40
Upto 2830 high	01.06.1999 -	3064363	£57.90
Upto 3000 high	01.06.1999 -	3064364	£60.70

All cables are priced individually

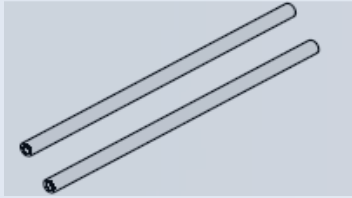
Cables for Z track
--------------------

Door height 1875	01.02.2001 -	3064346	£46.90
Door height 1955	01.07.2002 -	3064347	£46.90
Door height 2000	01.06.1999 -	3064348	£46.90
Door height 2080	01.07.2002 -	3064349	£46.90
Door height 2125	01.06.1999 -	3064350	£49.70
Door height 2205	01.03.2003 -	3064351	£49.70
Door height 2250	01.06.1999 -	3064352	£49.70
Door height 2375	01.02.2001 -	3064353	£49.70
Door height 2500	01.02.2001 -	3064354	£49.70
Door height 2625	01.06.2003 -	3064355	£49.70

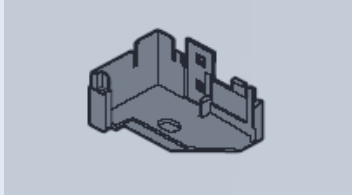
Cables for H track
--------------------

Upto 1875 high	01.06.1999 -	3064365	£38.60
Upto 2000 high	01.06.1999 -	3064366	£41.40
Upto 2125 high	01.06.1999 -	3064367	£41.40
Upto 2250 high	01.06.1999 -	3064368	£41.40
Upto 2375 high	01.06.1999 -	3064369	£41.40
Upto 2500 high	01.06.1999 -	3064370	£44.10
Upto 2625 high	01.06.1999 -	3064371	£44.10
Upto 2750 high	01.06.1999 -	3064372	£44.10
Upto 2875 high	01.06.1999 -	3064373	£46.90
Upto 3000 high	01.06.1999 -	3067374	£46.90

Article	Description	Production Date	Article No	List Price
---------	-------------	-----------------	------------	------------



Spring tensioning bars	01.06.1999 -	3034178	£7.20
------------------------	--------------	---------	-------



Vertical frame feet
---------------------

Right	13.03.2006 -	3065815	£6.60
Left	13.03.2006 -	3065816	£6.60

