

Manual FOLDING ARM AWNINGS





This product is suitable for outdoor use and complies with the following European directives for CE marking (these have been converted into Dutch legislation):

The directive for construction products:	89/106/EEC
Machinery directive:	98/37/EC
Low-voltage directive:	73/23/EC
EMC directive:	89/336/EEC
Standard mains voltage:	230 V and 50 Hz
Wind class:	See page 4
Water load class:	See page 4
Service life:	See page 4

The following standard has been applied: EN 13561:2004

2 Folding arm awning manual, 4-2008

1. Table of Contents

1	Table of Contents	Page 3
2	Declaration of conformity	Page 4
3	Introduction	Page 5
4	Safety and use	Page 7
5	Installation instructions	Page 11
6	Maintenance instructions	Page 31
7	Faults and repairs	Page 33
8	Storage and transport	Page 35
9	Environmental issues and disposal	Page 35
10	Guarantee	Page 35

2. Declaration of conformity

Product: Folding arm awning
Application: Outdoor awning
Complies with: EN standard 13561:2004 for outdoor awnings
Manufacturer: Smits Rolluiken en Zonwering B.V.
 PO Box 285, NL-5430 AG, Cuijk

We hereby declare that the folding arm awning has been assembled in accordance with the regulations and that it complies with the relevant criteria as set down in the EN 13561:2004 standard.
 Smits Rolluiken en Zonwering B.V., Cuijk

Table 1: Classes

Model name	Service life	Wind class	Water class
Ennerdale	3	1	2
Kentmere	3	2	2
Coniston	3	2	2
Derwent	3	2	2
	EN 13561:2004 Zie tabel 2	EN 13561:2004 Zie tabel 3	EN 13561:2004 Zie tabel 4

Table 2: Service life

Service life	1	2	3
Number of times the awning is opened and closed	3000	7000	10000
Number of times the awning is turned	6000	14000	20000

Table 3: Wind load

Wind pressure class	0	1	2	3
Wind force in Beaufort	< 4	4	5	6
Wind speed in km/h	< 28 km/h	28 km/h	38 km/h	49 km/h
Wind pressure in Newton/m ²	< 40	40	70	110

Table 4: Water load

Class	1	2
Quantity of rainfall	17 litres/m ² per hour	56 litres/m ² per hour

4 Folding arm awning manual, 4-2008

3. Introduction

Congratulations! You have purchased one of the best folding arm awnings there are. Your awning has been fully pre-assembled and complies with the latest product standards. It is very important that you read this manual before and during the installation of the awning. You should also consult this manual for the optimal use of your awning.

Your awning is meant to be used to protect windows and shop fronts from direct sunlight. This awning is not meant to be used during strong winds, rain, hail, snow or frost.

You must take adequate precautions to ensure safe installation, use and maintenance of this awning. Contact your supplier if you are in doubt about any aspects of the installation.

This manual provides information about the following:

- The technical specifications;
- Safety;
- Installation;
- Use;
- Maintenance instructions;
- Faults and repairs;
- Storage and transport;
- Environmental issues and disposal;
- Guarantee provisions;
- Product standardisation;
- Information about the marking.

This manual is meant for the user and the relevant expert who will be installing the awning system.

A separate manual for parts/components used will be added to the product on occasion. Your awning can be equipped with the following options: manual and/or motorised operation, receiver with hand transmitters (remote control), key switch, window washing switch and/or sun, rain and wind control units. The manuals for these options are supplied separately.

Please read the manual(s) carefully before installation and use of the awning.

All components used and supplied are intended for this awning and are suitable for normal use (as described in this manual). Making modifications and/or fitting other components may lead to negative consequences with

regard to the safety and service life of the product. The guarantee will be null and void if modifications are made without written permission from the manufacturer and/or if the specifications fall outside the scope of the factory guarantee. Please consult your supplier in this regard issue.

No rights can be derived from this manual. The manufacturer reserves the right to implement technical changes without prior written or verbal notice.

Your supplier is required to deliver your awning in accordance with the applicable (local) regulations and standards. Please check whether the required markings have been applied to the product and whether the required documentation has been provided.

6 Folding arm awning manual, 4-2008

4. Safety and use

The fabric of a closed awning is wrapped around a roller tube. There should not be any obstacles present when opening and closing the awning, which may impede movement.

Your awning should not be operated by unqualified persons, including children. Children and bystanders may be put at risk during operation. Improper use may lead to injury or damage.

If nobody is going to be at home, we recommend retracting the awning and switching off any automatic controllers. This will prevent damage as a result of rain and/or wind.

Always use the awning with care and have regular maintenance and inspections carried out by qualified persons. Should you have any questions that are not or are not sufficiently answered in this manual, please contact your supplier for an explanation and/or additional instructions.

In case of black ice and/or snow, please check that the brackets are not frozen before you operate the awning. This will prevent damage to the awning and/or the drive

Manual operation

A manually operated awning can be opened and closed by using a control rod. Use normal physical force when operating the awning. Operate the awning without making any abrupt movements. Do not close the awning too tightly, since this will put an unnecessary load on the gears and may lead to damage and a shortening of its service life.

Only use the matching control rod supplied (i.e. do not use a (wireless) electric drill and/or screwdriver) with a manually operated awning. Store the control rod in a safe place after use. Your supplier can provide you with suitable wall clips for this purpose.

Electric operation

An electrically operated awning has an electric motor in the roller tube. In its end position, the adjustment of the electric control must be such that the fabric, when fully extended, is still under sufficient tension. With electrically operated products, always keep the switch or other control mechanism at hand when the product is moving, in case a problem occurs unexpectedly. Never force the awning when it is fully extended!

Any electric controls must be connected and maintained in accordance with applicable standards. If you operate the awning (allow it to open or close), you should always prevent unsafe situations and ensure that collisions or jamming cannot occur.

A remote control has a 1-, 2- or 4-channel range. Please ensure that the motor has been tuned to the correct channel of the remote control (see the manual for the motor). Please ensure that the remote control does not use the same channel as the awning operated by your neighbours. This will ensure that you do not inadvertently operate an awning other than your own.

The use of wireless operation of equipment and toys has increased enormously during the last few years. Wireless remote controls and signal transmitters may interfere with each other, particularly when devices are in close proximity of each other and the transmission frequencies are sufficiently separated. It is possible; therefore, that such equipment may disrupt the wireless operation of your roll-down shutter or awning. Please consult the manuals for your equipment and select a different operating frequency or channel, and/or move the equipment. Consult your supplier when in doubt.

We recommend that you fit an electrically operated awning with one or more wind control units. These must be set up along the wall by your supplier, in accordance with local conditions and potential flow angles of the wind. Local downdrafts or updrafts will mainly occur along or in the vicinity of high-rise buildings. Your supplier will need to take this into account when positioning and adjusting the wind control units. Where this occurs, you should have an assessment carried out by an expert. In the event of a change in local conditions, you may need to have the positions and settings of the wind control units changed immediately, for example, in the case of new construction in the vicinity. Please inform your supplier in good time. You can also fit sun and rain control units to make optimum and safe use of your awning.

8 Folding arm awning manual, 4-2008

Safety instructions and use

- Installation of the awning must be carried out by someone who has sufficient technical knowledge/experience, or by an installer;
- Always study the manual(s) before installing or carrying out maintenance work or repairs to the product. Never start work without the manual(s);
- Do not remove any screws or other parts;
- In the case of an electrically operated awning, check the local mains voltage and frequency. An electrically operated awning will be supplied for a 230 V and 50 Hz as standard. Other regulations or voltages and/or frequencies may apply and/or be prescribed, depending on the local situation. This will prevent the motor from burning out;
- The electric motor is protected against overloading. If this protection is triggered, the awning cannot be operated for some time. After expiration of the time period set by the manufacturer of the motor, the awning can again be operated as normal. Please refrain from overloading the motor. For further information, please study the manual for the electric operation and the motor.
- Study the manual of the electric operation, and ask your supplier for an explanation of the instructions if required;
- Only use the controls supplied to manually or electrically operate the awning;
- Always keep the awning in full view when operating the product using remote control. People, animals or objects may be in the way;
- Keep your distance from a moving awning. A moving awning can cause a dangerous situation or injury. Avoid the risk of being pinched or knocked;
- Close the awning before it becomes wet due to, for example, rain, fog, dew, snow or hail, or in the case of strong winds and/or wind gusts;
- Should the fabric become wet anyway, allow it to dry as quickly as possible by extending the awning fully. This will prevent the fabric from deteriorating;
- When closing the awning, please ensure there are no foreign objects attached to the fabric. This may damage the fabric and other parts of the awning and/or create a dangerous situation;
- Ensure that an electrically operated awning never opens or closes when not required, for example, when you are cleaning the awning. You must ensure that the tube motor is disconnected when cleaning the awning or performing maintenance work;
- We recommend you install a single window cleaning switch for all your electric sun blinds and awnings. In this way, you will be able to switch off the electric operation of the sun blinds and awnings connected. This will prevent your sun blinds and awnings from opening when work is being performed on the outside wall (for example, when the window cleaner is doing his or her job);

- Ensure that unauthorised persons, including children, cannot (accidentally) operate the awning. Keep the controls in a safe place. For an electrically operated awning, have a key switch or other security installed, and keep the key in a safe place;
- In the case of manually operated awnings, do not extend the fabric out too far, and ensure that there is still sufficient tension on the fabric (the fabric may be damaged if the tension is insufficient). Do not change the winding direction;
- Do not leave the awning extended when there is nobody present;
- Have the product and the installation regularly inspected and maintained;
- The fabric is flammable. Do not, therefore, put a barbecue, flares or other sources of naked flame near the fabric;
- Cover the awning when painting, re-modelling or renovating the wall. Penetrating sand, drilling dust and other materials will damage the awning;
- Regularly use the awning to remove any sand or dust that may have penetrated.

Warnings

Inexpert installation or maintenance, or an incorrect operation of the awning can cause a danger or injury. The awning has been provided with a CE marking/logo. Do not remove this label. Use the information on the label when corresponding about your awning with your supplier.

The supplier cannot be held liable for any damage due to incorrect installation, incorrect settings of controls, incorrect adjustment of any electric motors, incorrect use of the awning and/or insufficient or incorrect instructions.

5. Installation instructions

The installation must be carried out by people who have sufficient technical knowledge and experience in this field.

Use clean and rust-free tools (preferably stainless steel tools). Dirty and/or rusty tools may leave residue behind on the fastening material, which can lead to corrosion. Your tool supplier will be able to provide advice in this regard.

Tools

- Drill (with masonry bit)
- Screwdriver
- Philips screwdriver
- Open-ended spanners 8; 10; 13 and 17 mm
- Allen keys 2.5; 4; 5; 6 and; 10 mm
- Spirit level and string line
- (Folding) ruler and pencil
- Ladder
- Voltmeter or test lamp (if electrically driven)

For the special tools required, see the installation instructions of your own Folding arm awning (pages 12 to 49).

Fastening materials

The fastening materials needed, will depend on the installation situation on site and can vary a lot for each situation. Have an expert provide you with the appropriate information. Call in an architect or designer if the occasion requires it.

Ensure that the base on which the awning is to be installed is strong enough. Please contact your supplier if you have any doubts about the strength of the installation material.

The installation advice provided, applies to a standard installation on brick. The fastening materials may vary depending on the type of substrate and the situation. Take care when loosening the arms, because they are under tension! A sudden release of the arm of a folding arm awning can cause injury.

5.1 Installation instructions for the ENNERDALE

Required tools:

- Drill (with masonry bit)
- Screwdriver
- Philips screwdriver
- Open-ended spanner 10; 17
- Allen key
- Spirit level and string line
- (Folding) ruler and pencil
- Ladder
- Voltmeter or test lamp (for electrical operation)

1) Installation on the wall

Two installation plates (A) (Figure 1) that are supplied separately, as well as being level with each other, must be aligned vertically to the wall when installing the awning.

A wall support (C) must be positioned in the centre of the Furore Cassette with to prevent sagging of the awning cover. Note: This must be done when the mounting plates are fitted. You cannot fit these afterwards.

When the positions of the wall brackets are not aligned (resulting in the non-alignment of the arms), the awning will not operate correctly. The cover caps, see (B) in figure 1 (supplied in the box), must be fitted to the side cap after installation of the awning.

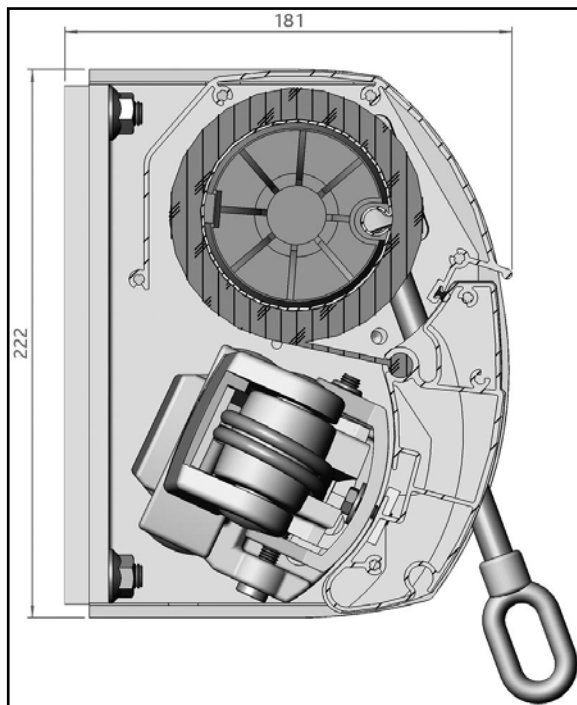
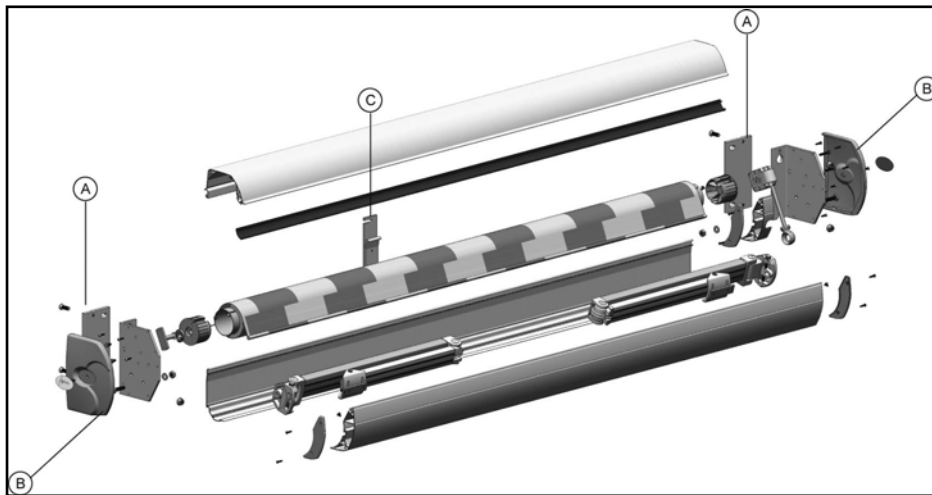
The fabric clamping blocks must be slid against the fabric and secured after having installed the awning.

2) Standard adjustment ex factory

- The height of the arm support shoulder has been adjusted to between 1.80 and 1.90 metres as standard (at an installation height of 2.70 metres);
- The motorised operation has been adjusted (if applicable). See the manual supplied for the motor and any remote control, for further information in this regard;

Should you wish to adjust the awning differently, please follow the adjustment description.

Figure 1



A) Pitch adjustment (Figure 2)

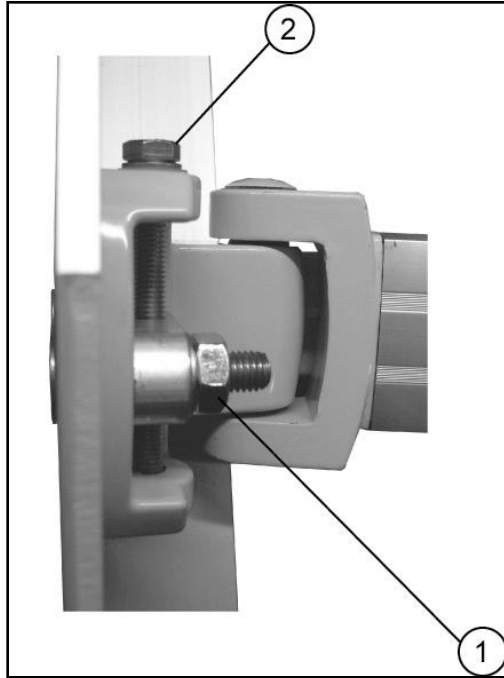
The pitch must be adjusted once the awning has been installed.

- a) Fully extend the awning;
- b) Loosen nut no. 1 one turn (open-ended spanner 17);
- c) Turn nut bolt no. 2 (open-ended spanner 13) for upwards or downwards movement (counter clockwise = downwards, clockwise = upwards).

If the arm support shoulder is at the required height on one side, then:

- d) Tighten nut no. 1.
- e) Repeat the previous steps on the other side until the arm support shoulder is aligned with the awning cover.

Figure 2



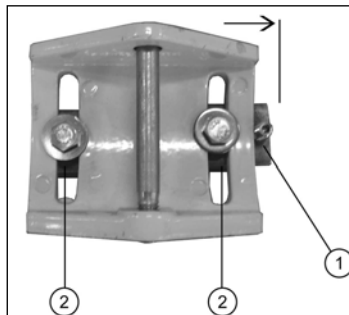
B) Adjustment of the arm support shoulder (figure 3)

- a) Extend the awning until the arms and fabric are nearly tension free;
- b) Loosen bolts no. 2 (open-ended spanner 10) on both sides;
- c) Position the arm support shoulder as required;
- d) Tighten bolts no. 2;
- e) Retract the awning.

C) If the arms first touch the wall when retracting, and only then close, they must be adjusted as follows (figure 3):

- a) Extend the awning until the fabric is hanging tension free;
- b) Make a pencil mark at a few mm from the outside of the arm support shoulder joint;
- c) Slightly loosen bolts no. 1 and no. 2;
- d) Tap the arm support shoulder joint until it is at the pencil mark;
- e) Retighten bolts no. 1 and no. 2;
- f) Check whether the awning now closes correctly. If this is not the case, repeat these steps.

If the arms first touches the arm support shoulder when retracting, and only then close, carry out the same steps but in the opposite direction. Therefore, move the arm support shoulder joint inwards.

Figure 3**PLEASE NOTE!!!**

- The arms must be adjusted symmetrically.
- The fabric must always run at the underneath

5.2 Installation instructions for KENTMERE

Required tools:

- Drill with masonry bit
- Screwdriver
- Philips screwdriver
- Open-ended spanner 8
- Allen keys 2,5; 4; 6
- Spirit level and string line
- (Folding) ruler and pencil
- Ladder
- Voltmeter or test lamp (for electrical operation)

1) Installation on the wall

Two installation plates (A) (Figure 1) that are supplied separately, as well as being level with each other, must be aligned and fixed horizontally to the wall when installing the awning. When the positions of the wall brackets are not aligned (resulting in the non-alignment of the arms), the awning will not operate correctly.

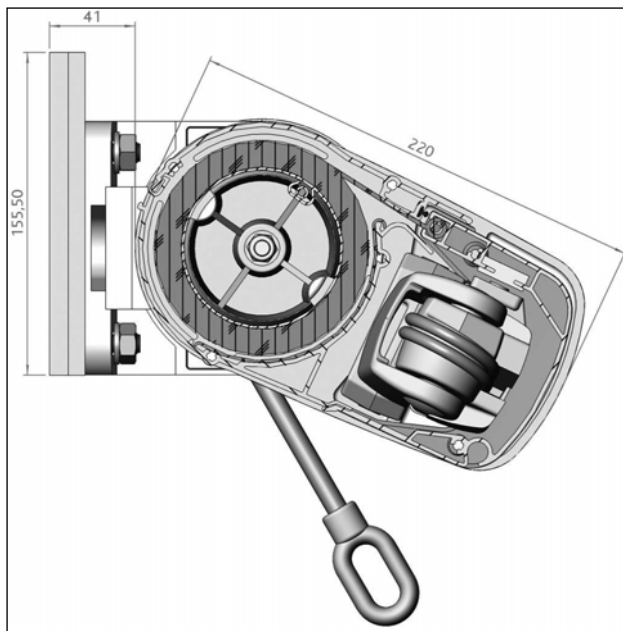
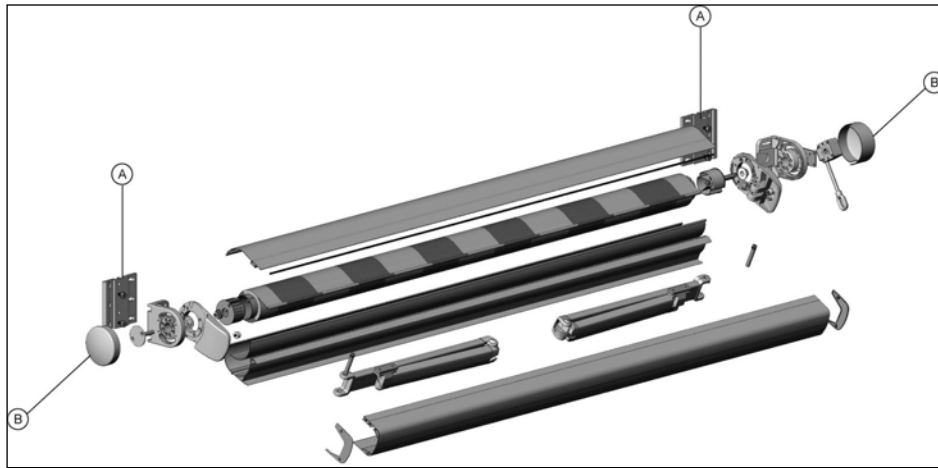
After having installed the awning, the end caps, see (B) in Figure 1 (supplied in the box), must be glued to the side cover. A centre bracket (supplied in the box) is installed for awnings that are 4.5 metres wide, to prevent sagging. The fabric clamping blocks must be slid against the fabric and secured after having installed the awning.

2) Standard adjustments ex factory

- The height of the arm support shoulder has been adjusted between to 1.80 and 1.90 metres as standard (at an installation height of 2.70 metres);
- The motorised operation has been adjusted (if applicable). See the manual supplied for the motor and any remote control for further information in this regard;

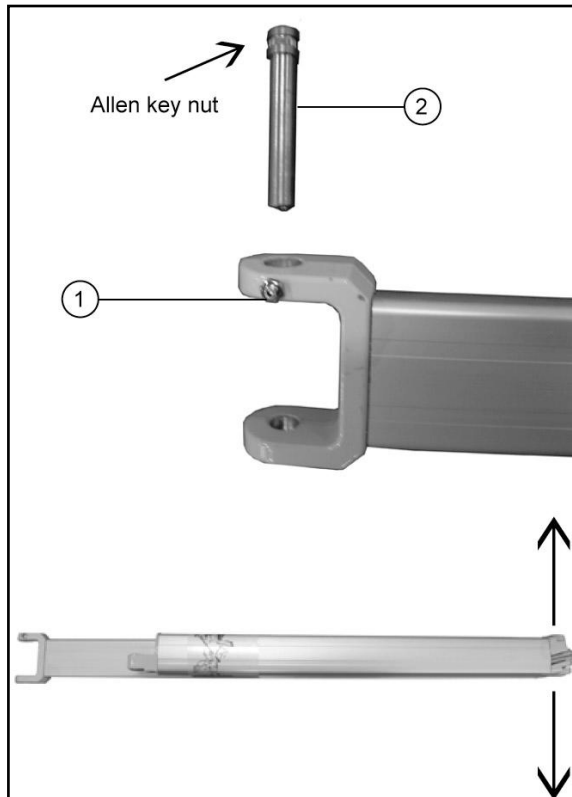
Should you wish to adjust the awning differently, follow the adjustment description.

Figure 1



A) Arm adjustment (Figure 2)

- a) Extend the awning 50 cm;
- b) Loosen locking screw no. 1 with nut M5 (socket screw 2.5 ,open-ended spanner 8m figure 2);
- c) Turn eccentric pin no. 2 by using Allen key no. 6 to obtain the upwards and downwards movement (figure 2);
- d) Adjust the second arm so that both are parallel to each other and the arms are correctly centred in the in arm support shoulder and the box;
- e) Tighten locking screw no. 1 and then, secure using an M5 nut.

Figure 2

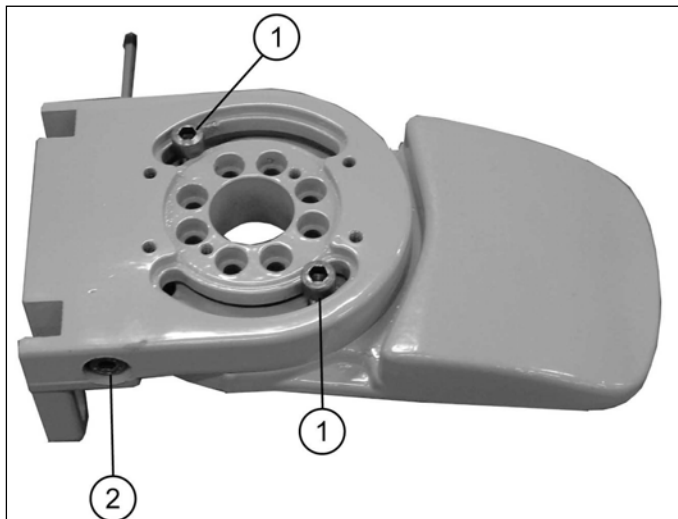
B) Pitch adjustment (Figure 3)

The pitch must be adjusted once the awning has been installed.

- a) Fully extend the awning;
- b) Loosen two socket bolts no. 1 (Allen key 6);
- c) Turn socket bolt no. 2 (Allen key 6) for upwards or downwards movement (counter clockwise = downwards, clockwise = upwards).

If the arm support shoulder is set at the correct height on one side, repeat the previous steps for the other side until the arm support shoulder is aligned with the awning cover.

Figure 3

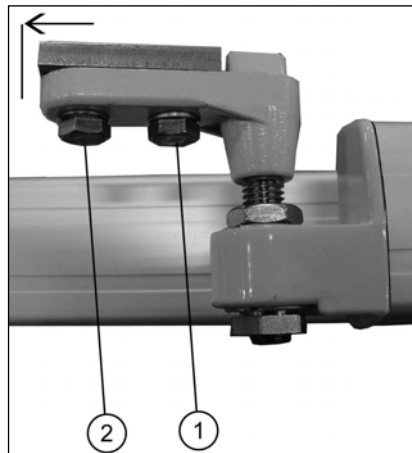


c) If the arms first touch the wall when retracting, and only then close, they must be adjusted as follows (figure 4):

- a) Extend the awning until the fabric is hanging tension free;
- b) Make a pencil mark at a few mm from the outside of the arm support shoulder joint;
- c) Slightly loosen bolts no. 1 and no. 2;
- d) Tap the arm support shoulder joint until it is at the pencil mark;
- e) Retighten bolts no. 1 and no. 2;
- f) Check whether the awning now closes correctly. If this is not the case, repeat the actions.

If the arms first touches the arm support shoulder when retracting, and only then close, carry out the same steps but in the opposite direction. Therefore, move the arm support shoulder joint inwards.

Figure 4



PLEASE NOTE!!!

- The arms must be adjusted symmetrically.
- The fabric must always run from above.
- The fabric blocks in the arm support shoulder must always be slid sideways briefly, so that the fabric has sufficient room to move. When everything is correctly positioned, the fabric blocks must be slid against the fabric again.

5.3 Installation instructions for CONISTON

Required tools:

- Drill with masonry bit
- Screwdriver
- Philips screwdriver
- Open-ended spanner set
- Allen key set
- Spirit level and string line
- (Folding) ruler and pencil
- Ladder
- Voltmeter or test lamp (for electrical operation)

1) Installation on the wall

Two installation plates (A) (Figure 1) that are supplied separately, as well as being level with each other, must be aligned and fixed horizontally to the wall when installing the awning. When the positions of the wall brackets are not aligned (resulting in the non-alignment of the arms), the awning will not operate correctly.

After installing the awning, socket bolt 1 (Figure 2) (supplied separately) must be tightened to the wall bracket to secure the awning (also at the bottom).

A centre bracket (A) must be mounted (Figure 3) (supplied separately) for awnings that are wider than 4.5 m.

Finally, fit the cover caps (supplied separately). They must be cut down to size for both at the top and the bottom (Figure 4) when the awning is at the correct angle adjustment.

2) Standard adjustment ex factory

- The height of the arm support shoulder has been adjusted to between 1.80 and 1.90 metres as standard (at an installation height of 2.70 metres);
- The motorised operation has been adjusted (if applicable). See the manual supplied for the motor and any remote control for further information in this regard;

Should you wish to adjust the awning differently, follow the adjustment description.

Figure 1



Figure 2

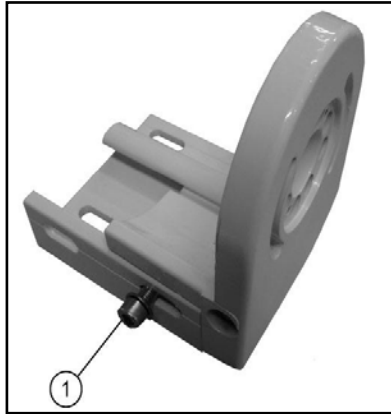


Figure 3

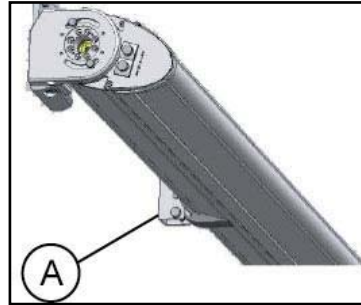
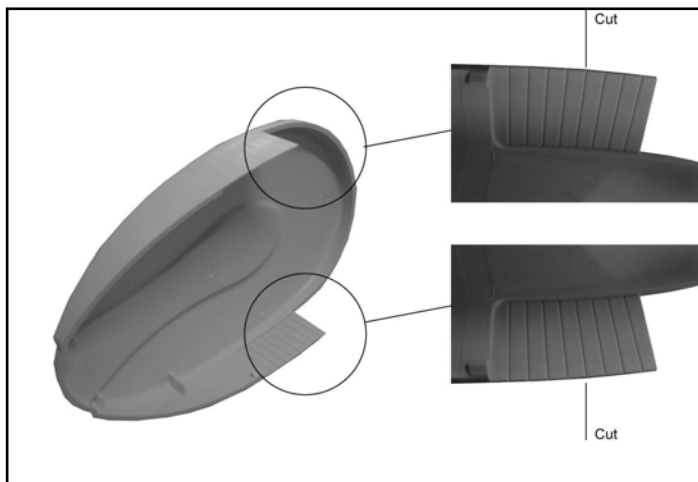


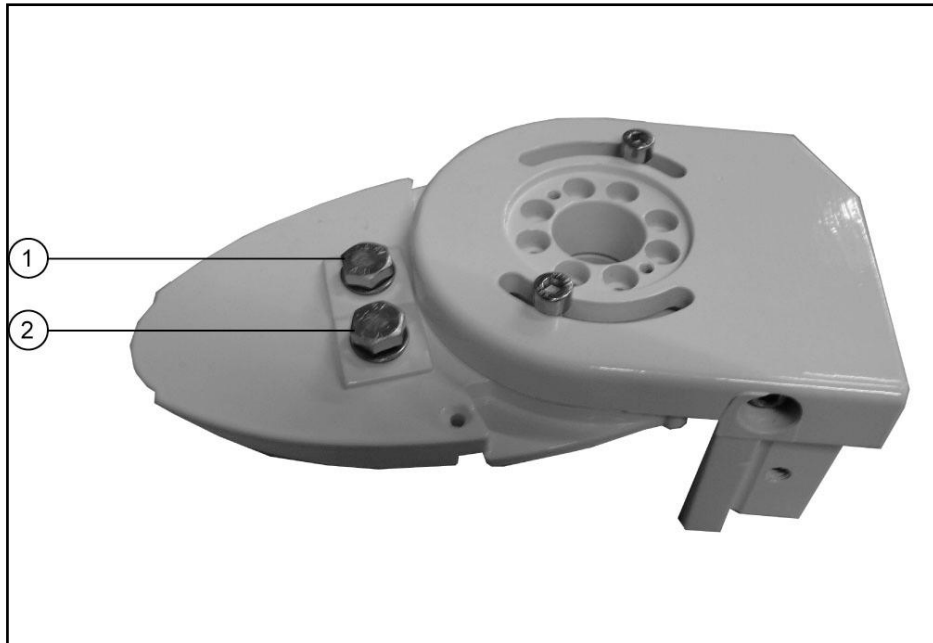
Figure 4



A) Arm adjustment (Figure 5)

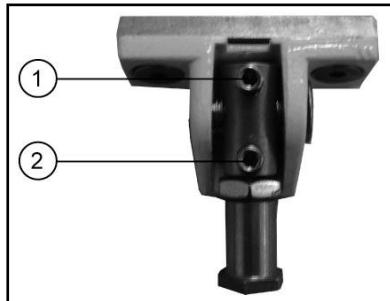
- a) Extend the awning by 50 cm;
- b) The arm will go upwards by tightening tap bolt no. 1 and loosening tap bolt no. 2, using open-ended spanner 17;
- c) The arm will go downwards by tightening tap bolt no. 2 and loosening tap bolt no. 1;

In this way, you can position the arms correctly, so that they will fit nicely into the box.

Figure 5

B) Adjustment of the arm support shoulder (Figure 6)

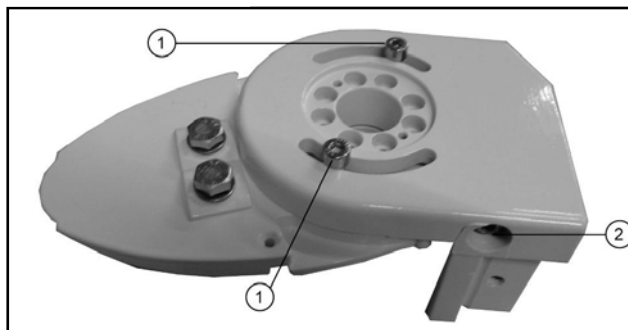
- a) Fully extend the awning;
- b) Loosen socket bolts no. 1 and no. 2 of both arm support shoulder joints (Allen key 4);
- c) Position the arm support shoulder as required;
- d) Tighten socket screw no. 1 on both sides;
- e) Tighten socket screw no. 2 on both sides;
- f) Retract the awning;

Figure 6**C) Pitch adjustment (Figure 7)**

The pitch must be adjusted once the awning has been installed.

- a) Fully extend the awning;
- b) Loosen the two socket bolts no. 1 (Allen key 6);
- c) Turn socket bolt no. 2 (Allen key 6) for upwards or downwards movement (counter clockwise = downwards, clockwise = upwards).

If the arm support shoulder is set at the correct height on one side, repeat the previous steps for the other side until the arm support shoulder is aligned with the awning cover.

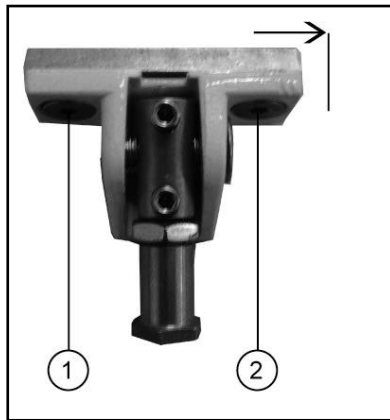
Figure 7

D) If the arms first touch the cover when moving, and only then close, they must be adjusted as follows (figure 8)

- a) Extend the awning until the fabric is hanging tension free;
- b) Make a pencil mark at a few mm from the outside of the arm support shoulder joint;
- c) Slightly loosen bolts no. 1 and no. 2;
- d) Tap the arm support shoulder joint until it is at the pencil mark;
- e) Retighten bolts no. 1 and no. 2;
- f) Repeat this on the other side of the awning;
- g) Check whether the awning now closes correctly. If this is not the case, repeat these steps.

If the arms first touches the arm support shoulder when retracting, and only then close, carry out the same steps but in the opposite direction. Therefore, move the arm support shoulder joint inwards.

Figure 8



PLEASE NOTE!!!

- The arms must be adjusted symmetrically.
- The fabric must always run from above.
- The fabric blocks in the arm support shoulder must always be slid sideways briefly, so that the fabric has sufficient room to move. When everything is correctly positioned, the fabric blocks must be slid against the fabric again.

5.4 Installation instructions for DERWENT

Required tools:

- Drill (with masonry bit)
- Screwdriver
- Philips screwdriver
- Open-ended spanner 8; 17
- Allen keys 2,5; 5; 6 and 8
- Spirit level and string line
- (Folding) ruler and pencil
- Ladder
- Voltmeter or test lamp (if electrically driven)

1) Installation on a wall

To install the awning, first mark the positions where the wall brackets (B) (Figure 1) will be mounted.

It is important issue that a wall bracket is positioned on each side of an arm joint to prevent the support tube of the awning from twisting. Wall brackets may be positioned not more than 10 cm from the arm joint. The rest of the wall brackets should be distributed symmetrically along the width of the awning.

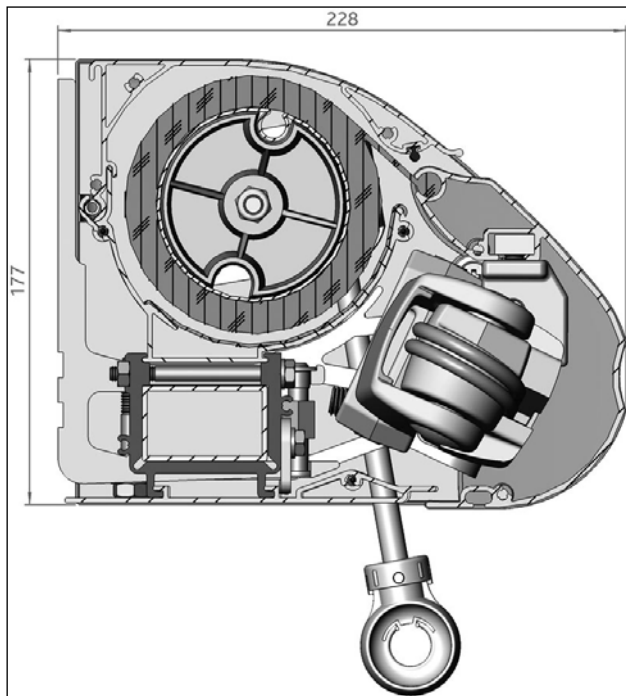
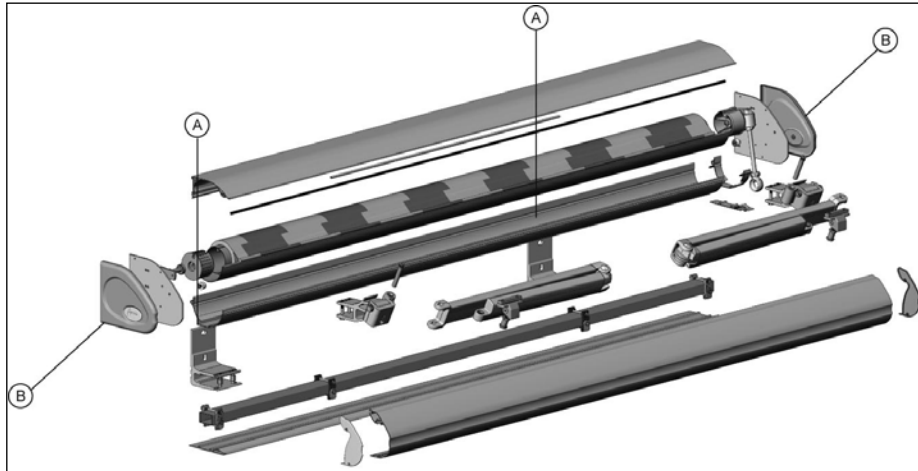
All wall brackets must be plumb vertically on the wall. You can string a line from each other to achieve this. This will ensure that you can correctly measure whether you need to pack the other wall brackets.

2) Standard adjustment ex factory

- The height of the arm support shoulder has been adjusted to between 1.80 and 1.90 metres as standard (at an installation height of 2.70 metres);
- The motorised operation has been adjusted (if applicable). See the manual supplied for the motor and any remote control for further information in this regard;

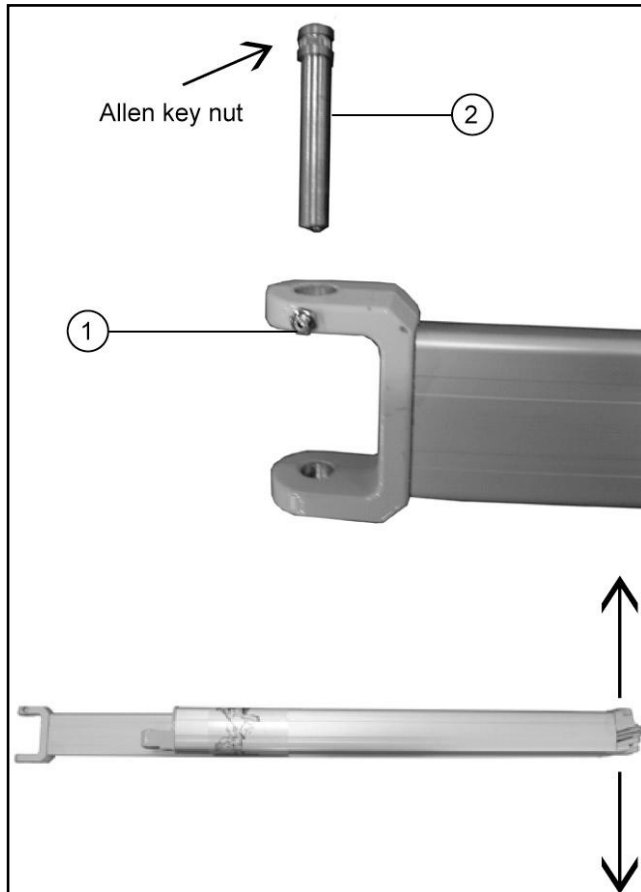
Should you wish to adjust the awning differently, follow the adjustment description.

Figure 1



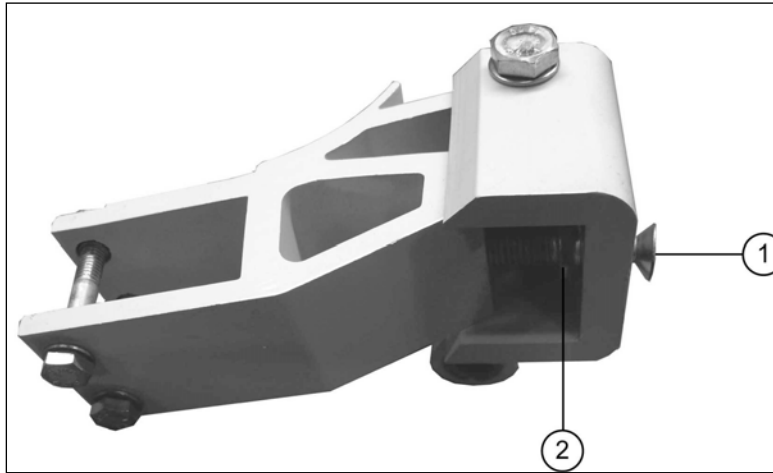
A) Arm adjustment (Figure 2)

- a) Extend the awning by 50 cm;
- b) Loosen locking screw no. 1 with nut M5 (socket screw 2.5, open-ended spanner 8, figure 2);
- c) Turn eccentric pin no. 2 by using Allen key no. 6 to obtain the upwards and downwards movement (figure 2);
- d) Adjust the second arm so that both are parallel to each other and correctly centred in the in arm support shoulder and the box;
- e) Tighten locking screw no. 1 and then secure it with nut M5.

Figure 2

B) Pitch adjustment (Figure 3)

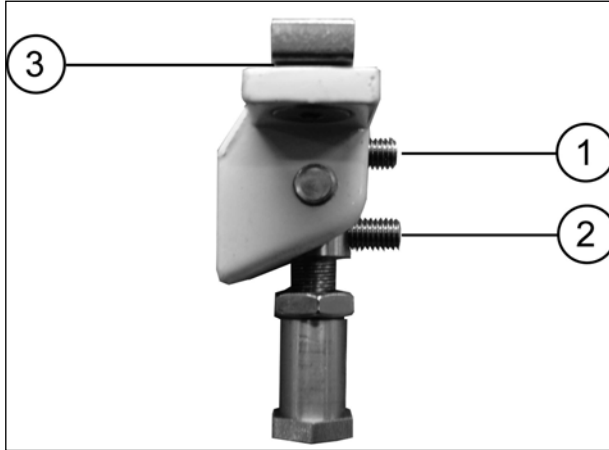
- a) Fully extend the awning;
- b) Unscrew and remove socket screws no. 1 (Allen key no. 6);
- c) Turn large socket bolt no. 2 (Allen key 8) to move the arm upwards or downwards until the correct height of the arm support shoulder has been reached;
- d) Next, turn socket screw no. 1 back again ;
- e) Repeat this step for the other side so that the arm support shoulder is level with or parallel to the awning;

Figure 3

c) Arm support shoulder adjustment (Figure 4)

- a) Loosen socket bolts no. 1 + no. 2 (Allen key 4) on both arm support shoulder joints;
- b) Tilt the arm support shoulder into the required position;
- c) Tighten socket screw no. 1 again and also tighten it on the other side;
- d) Next, tighten socket screw no. 2 for both arm support shoulder joints.

Figure 4



6. Maintenance instructions

EVERYTHING that is subject to being contaminated and is intended to have a long service life must be cleaned. Aluminium products must be cleaned regularly to guarantee a long service life and to retain its beautiful exterior. Strongly contaminated products and poor maintenance may cause poor operation and will lead to product damage. Spray guide bars and hinged parts at least once a year with a suitable lubricant (preferably without silicone). This will ensure that they will move smoothly. In the case of light contamination, clean the aluminium using a moist sponge and lukewarm water. If required, a mild non-corrosive detergent can be added.

IN the case of moderate contamination, special products containing grease and dirt dissolving agents may be used. Do not use aggressive cleaning agents, because they may damage the finish on the fabric and the paint. Always rinse with clean water after cleaning, so that the cleaning agent used is fully removed. Avoid cleaning when the sun is shining to avoid stains caused by the water drying too fast.

Strong fouling must be treated in accordance with the nature of the contamination (ask your supplier for advice in this regard). Never use aggressive or abrasive cleaning agents or strong detergents! Scouring pads and other abrasive items may scratch. Do not use a high-pressure sprayer or garden hose. They may damage the fabric and may seriously damage the bearings and operation of the awning.

You will enjoy your awning longer if you regularly maintain it or have it maintained. In the case of an electrically operated awning, the motor may have to be adjusted from time to time because of the stretching of the awning fabric.

Impacts from the weather

Because the product is continuously exposed to weather conditions, there is a risk that deposits may form or that atmospheric contamination will occur.

Awning

Always close the awning during high winds, rain, snow or hail, and avoid rolling up the fabric when wet. When this is unavoidable due to conditions, you should roll out the fabric at the first opportunity, so that it will dried by the air.

Awning fabric

The awning fabric has been fabricated from synthetic material and has been treated with a finishing layer to prevent rot and mould.

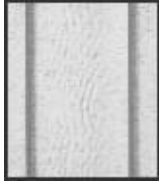
Despite the best production, processing and assembly techniques, certain symptoms may appear in the awning that are unavoidable. In principle, these symptoms will affect all awning fabrics to some extent. Such symptoms do not, however, reduce the quality and strength of the fabric and the awning. In this context, the following characteristics are mainly involved:

Fold marks/chalk lines



These occur during the production and folding of the fabrics. Pigment displacement can occur in the folds, especially with light colours. This displacement will be darker in colour when checked against the light and look like dirty lines.

Wafer formation/wrinkles



These can occur in the centre of a fabric strip and are usually detected against backlighting. This phenomenon can occur as a result of tension differences in the fabric.

Waves



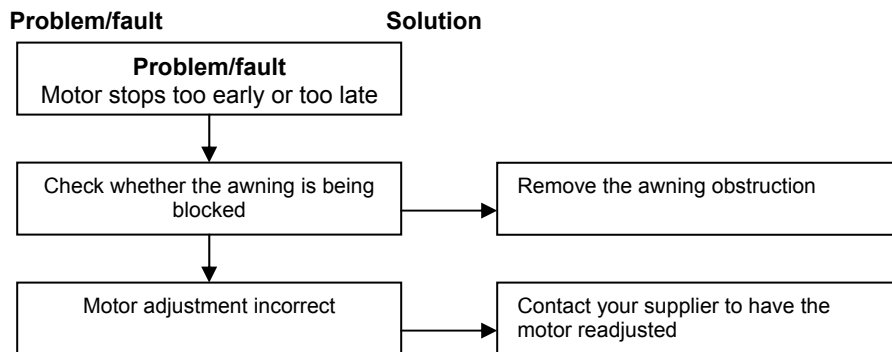
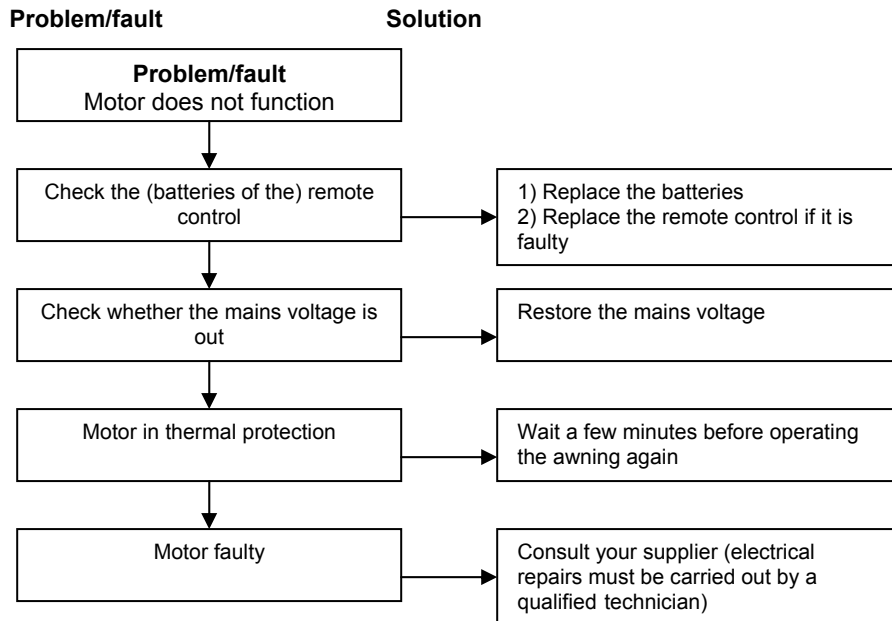
Different wrapping thickness occur on the fabric rolls where the hems and seams of the strips are, because there are two layers of fabric in these places. The tensions in the material created this way, may produce waves (for example a waffle or herringbone pattern).

Glue seam discoloration

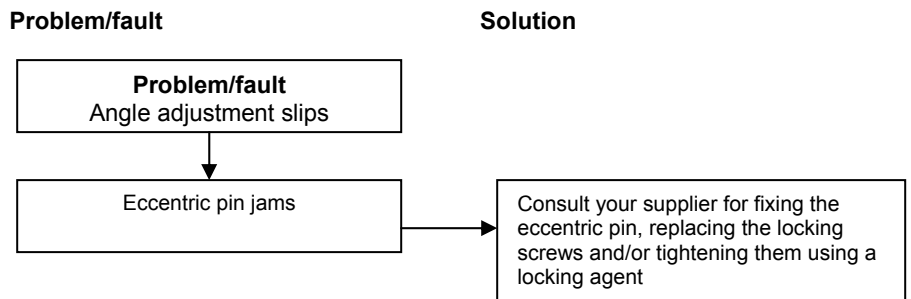
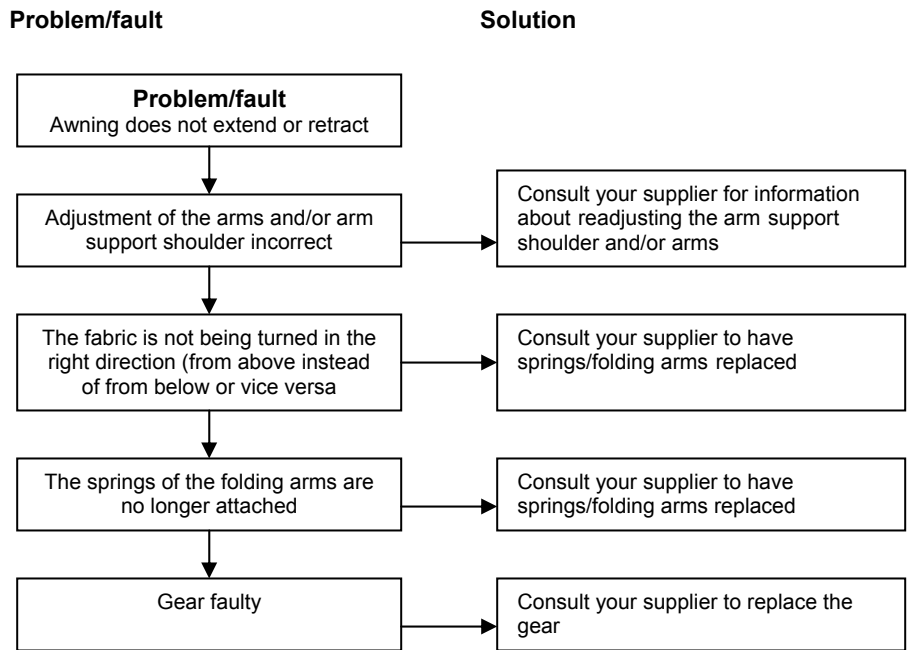
Discoloration of the glue line may occur in glued fabrics.

7. Faults and repairs

Electrically operated awning



Note: it may be necessary to readjust the motor and/or the remote control of electrically operated awnings after a power outage. First consult the manual for the motor or have it done by an expert.



8. Storage and transport

Please ensure that you correctly package the awning when transporting it, to ensure it cannot be damaged and to protect it from any precipitation. Provide adequate support for the awning on a level and clean base. Do not place any heavy objects or object with sharp corners on the awning. Ensure you carefully stow the mains voltage cable of an electrically operated awning. Ensure that the fabric cannot be damaged and/or get wet.

9. Environmental issues and disposal

Your awning can be fully recycled. You can request information from your municipality about the nearest recycling station and about local environmental regulations. When disassembling the awning, please ensure the installation is completely disconnected from the power supply.

10. Guarantee

Please refer to your supplier for information about the guarantee. Bear in mind that the following are excluded under the guarantee (this is not an exhaustive list):

- Damage due to improper and/or inefficient use of the products;
- Inadequate maintenance of the products;
- Normal wear and tear as a result of the use of the awning;
- Discoloration of the materials due to weather impacts;
- Damage caused by third parties or abnormal conditions such as fire, storm, and water damage;
- Tracks caused by use;
- Minor variations and shininess of the fabric.

The guarantee and the CE declaration of conformity will be null and void if changes are made to the awning that have not been carried out by the manufacturer.

No claims can be made at any time for damage due to control failure when on fully automatic operation such as with timer switches or sun and wind control units and/or rain sensors. The described automatic controls are only tools to increase ease of use and safety. If you leave the control of your products to automatic units without supervision, it will be entirely at your own risk.