

DE

Anleitung für Montage und Betrieb

Funk-Codetaster FCT 3 BiSecur

EN

Instructions for fitting and operating

Radio code switch FCT 3 BiSecur

FR

Instructions de montage et d'utilisation

Clavier à code sans fil FCT 3 BiSecur

NL

Handleiding voor montage en bediening

Radiocodeschakelaar FCT 3 BiSecur

IT

Istruzioni per il montaggio e l'uso

Tastiera a radiocodice FCT 3 BiSecur

ES

Instrucciones de montaje y funcionamiento

Pulsador codificado vía radiofrecuencia FCT 3 BiSecur

PT

Instruções de montagem e funcionamento

Codificador por radiofrequência FCT 3 BiSecur

Contents

1	About these instructions	18
2	Safety instructions	18
2.1	Intended use.....	18
2.2	Safety instructions for operation of the radio code switch.....	18
3	Scope of delivery	19
4	Description of the radio code switch FCT 3 BiSecur	19
5	Fitting	20
6	Initial start-up	21
6.1	Inserting the batteries.....	21
7	Operation	22
8	Programming the access code	22
8.1	First access code.....	22
8.2	Second and third access code.....	23
9	Changing an access code	23
10	Normal operation	24
10.1	Sending a radio code via a personal code	24
10.1.1	Retransmission	24
10.2	Transmitting via the bell / light key	24
11	Teaching in and inheriting a radio code	25
11.1	Teaching in a radio code.....	25
11.2	Inheriting / transmitting a radio code	26
11.3	Inheriting the radio code from the bell / light button	26
11.4	Mixed operation / BiSecur and fixed code 868 MHz	27
12	Reset	27
12.1	Set the fixed code 868 MHz.	27
13	LED display	28
14	Cleaning	29
15	Disposal	29
16	Technical data	29
17	EC Declaration of Conformity	30

Dissemination as well as duplication of this document and the use and communication of its content are prohibited unless explicitly permitted. Noncompliance will result in damage compensation obligations. All rights reserved in the event of patent, utility model or design model registration. Subject to changes.

Dear Customer,

We thank you for choosing a quality product from our company.

1 About these instructions

Read through all of the instructions carefully, as they contain important information about the product. Pay attention to and follow the instructions provided, particularly the safety instructions and warnings.

Further information about handling the radio code switch can be found on the Internet at **www.hoermann.com**

Please keep these instructions in a safe place and make sure that they are available to all users at all times.

2 Safety instructions

2.1 Intended use

The radio code switch FCT 3 BiSecur is a unidirectional transmitter for operators and their accessories. It can be operated with both the BiSecur radio and the fixed code 868 MHz.

Other types of application are prohibited. The manufacturer is not liable for damage caused by improper use or incorrect operation.

2.2 Safety instructions for operation of the radio code switch



WARNING

Danger of injury during door travel

Persons may be injured by door travel if the radio code switch is actuated.

- ▶ Make sure that the radio code switches are kept away from children and can only be used by people who have been instructed on how the remote-control door functions!
- ▶ If the door has only one safety feature, only operate the radio code switch if you are within sight of the door!
- ▶ Only drive or pass through remote control door systems if the door is in the Open end-of-travel position!
- ▶ Never stand in the door's area of travel.



CAUTION

Danger of injuries due to unintended door travel

- ▶ See warning in section 11

ATTENTION**Malfunction due to environmental influences**

Non-compliance with these instructions can impair function!

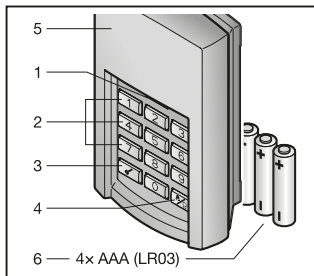
Permissible ambient temperature: $-20\text{ }^{\circ}\text{C}$ to $+60\text{ }^{\circ}\text{C}$.

NOTES:

- If there is no separate garage entrance, perform all programming changes and extensions of radio systems from inside the garage.
- After programming or extending the radio system, perform a function test.
- Only use original components when putting the radio system into service or extending it.
- Local conditions may affect the range of the radio system.
- When used at the same time, GSM 900 mobile phones can affect the range.

3 Scope of delivery

- Radio code switch FCT 3 BiSecur
- 4x 1.5 V battery, type: AAA (LR03)
- Fixing material
- Operating instructions

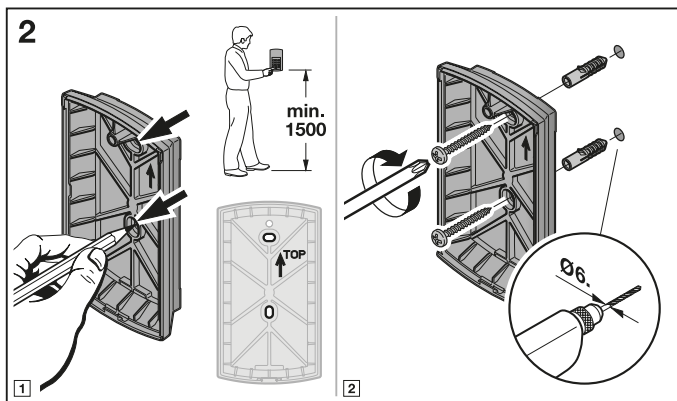
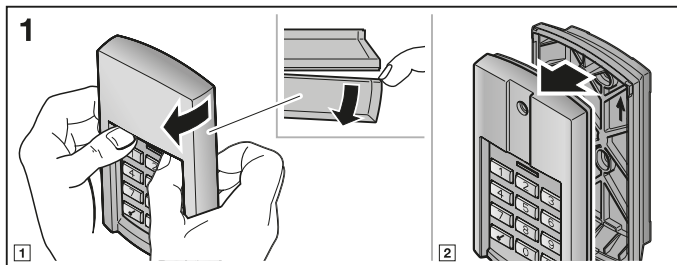
4 Description of the radio code switch FCT 3 BiSecur

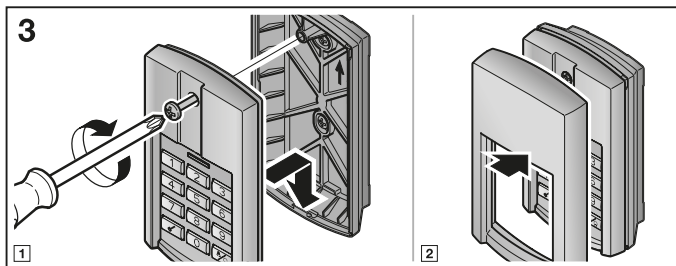
- 1 LED, bi-colour
- 2 Numerical keys
- 3 Key switch
- 4 Bell/light button
- 5 Panel
- 6 Batteries

5 Fitting

NOTE:

Before fitting the radio code switch, make sure that the radio code can be received at the desired location. Direct fitting on metal will affect the range. In this case, fit at a distance of 2–3 cm.

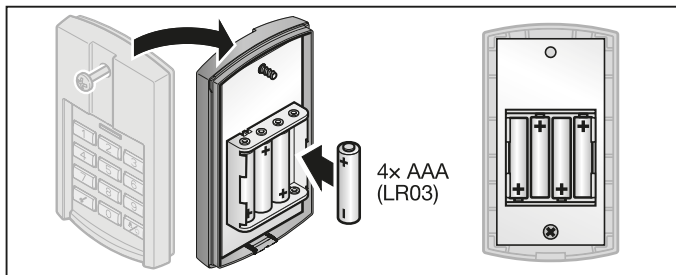




6 Initial start-up

After the batteries have been inserted, the radio code switch FCT 3 BiSecur is ready for operation.

6.1 Inserting the batteries



ATTENTION

Destruction of the radio code switch by leaking batteries

Batteries can leak and destroy the radio code switch.

- ▶ Remove the batteries from the radio code switch if it is out of use for a long period of time.

7 Operation

Each programmed personal code is assigned to a radio code. Press the button of the personal code whose radio code you want to transmit, plus the key switch.

- The radio code is transmitted and the LED is illuminated blue for 2 seconds.

NOTES:

- Before entering a valid access code, any number of numerical keys can be pressed, so that on entering the access code in the company of another person, there is no risk of that person being able to take note of your code. Only the last four numerical keys pressed before pressing the key switch will be used as the access code.
- If the batteries are almost empty, the LED flashes red twice
 - a. after a button has been pressed.
 - ▶ The batteries **should be** replaced soon.
 - b. and the radio code is not transmitted.
 - ▶ The batteries **must be** replaced immediately.

8 Programming the access code

NOTE:

After you have gone through the individual steps to program the access code, the LED will be illuminated in blue or red. These displays vary according to the function. Please see section 13 for an explanation.

8.1 First access code

NOTES:

- The radio code switch will go back to normal operation if you take longer than 5 seconds to enter each of the individual numbers.
 - A personal code that only consists of the number **0** cannot be programmed.
1. Press a button to illuminate the keypad.
 2. Press the key switch.
 3. Press numerical key **1** for the first memory space
 4. Press the key switch.
 5. Enter a 4 digit personal code.
 6. Press the key switch.
 7. Enter the personal code again.
 8. Press the key switch.

Programming is now finished and the radio code switch is in normal operation.

NOTE:

If you enter a different personal code in step 7, programming will be aborted and the radio code switch will go back to normal operation.

8.2 Second and third access code

Further access codes are programmed as described in section 8.1. In step 3, select the numerical key for the desired memory space rather than numerical key 1.

Memory spaces 1 to 3 are assigned to the corresponding numerical keys.

NOTES:

- Programming will be aborted if a memory space is selected that already has a personal code.
- Programming will be aborted if a personal code is entered that has already been assigned to a memory space.
This abort will be displayed after the key switch is pressed.

9 Changing an access code

NOTES:

- After you have gone through the individual steps to change the access code, the LED will be illuminated in blue or red. These displays vary according to the function. Please see section 13 for an explanation.
- The radio code switch will go back to normal operation if you take longer than 5 seconds to enter each of the individual numbers.
- A personal code that only consists of the number **0** cannot be programmed.

1. Press a button to illuminate the keypad.
2. Press the key switch.
3. Enter the personal code you would like to change.
4. Press the key switch.
5. Enter a new 4 digit personal code.
6. Press the key switch.
7. Enter the changed personal code again.
8. Press the key switch.

The change has now been made and the radio code switch is in normal operation.

NOTE:

If you enter a different or existing personal code in step 7, the change will not be made and the radio code switch will go back to normal operation.

10 Normal operation

NOTE:

If the radio code for a personal code was copied from another hand transmitter beforehand, the key switch must be pressed a second time after entering the personal code during initial start-up.

10.1 Sending a radio code via a personal code

NOTES:

- After you have gone through the individual steps to send an access code, the LED will be illuminated in blue or red. These displays vary according to the function. Please see section 13 for an explanation.
 - The radio code switch will go back to normal operation if you take longer than 5 seconds to enter each of the individual numbers.
1. Press a button to illuminate the keypad.
 2. Enter a valid personal code again.
 3. Press the key switch; the radio code is sent.

10.1.1 Retransmission

If a radio code is sent after a personal code has been entered (see section 10.1), it can be sent again by pressing a numerical key or the key switch within 5 seconds after sending.

The retransmission function is cancelled if the bell / light key is pressed.

10.2 Transmitting via the bell / light key

A bell or courtyard light can be directly operated, i.e. without having to enter an access code, by pressing the bell / light key.

1. Press a button to illuminate the keypad.
2. Press the bell / light key.

NOTE:

The radio code is transmitted by the radio code switch as long as the bell / light key is pressed, but for a maximum of 3 seconds.

11 Teaching in and inheriting a radio code

CAUTION

Danger of injuries due to unintended door travel

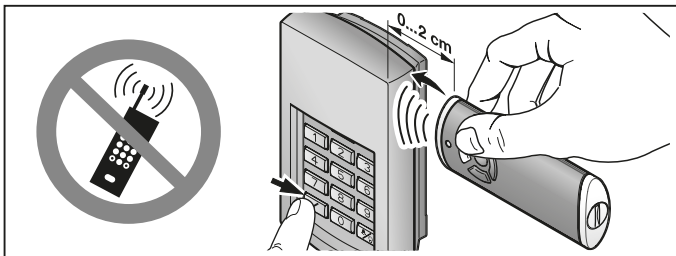
Unintended door travel may occur while teaching in the radio system.

- ▶ Make sure no persons or objects are in the door's area of travel when teaching in the radio system.

11.1 Teaching in a radio code

NOTES:

- After you have gone through the individual steps to teach in an access code, the LED will be illuminated in blue or red. These displays vary according to the function. Please see section 13 for an explanation.
- The radio code switch will go back to normal operation if you take longer than 5 seconds to enter each of the individual numbers.



1. Hold the hand transmitter to the right of the radio code switch.
 2. Press and hold the hand transmitter button whose radio code is to be **inherited**.
 - The radio code is transmitted and the LED is illuminated blue for 2 seconds then goes out.
 - After 5 seconds, the LED flashes alternately red and blue, the hand transmitter transmits the radio code.
 3. Press a button to illuminate the keypad.
 4. Enter the personal code for the radio code you would like to change.
 5. Press and hold the key switch.
 - The LED will flash slowly in blue.
 - If the radio code is recognised, the LED flashes quickly in blue.
 - After 2 seconds, the LED goes out.
 6. Release the key switch once the radio code has been recognised.
- The radio code switch is in normal operation.

11.2 Inheriting / transmitting a radio code

NOTE:

The radio code switch will go back to normal operation if you take longer than 5 seconds to enter each of the individual numbers.

1. Press a button to illuminate the keypad.
2. Enter the personal code for the radio code you would like to inherit / transmit.
3. Press and hold the key switch.
 - The radio code is transmitted and the LED is illuminated blue for 2 seconds then goes out.
 - After 5 seconds, the LED flashes alternately red and blue, the radio code switch transmits the device information.
 - The radio code is transmitted.

NOTE:

You have 15 seconds to inherit / transmit the code. The process must be repeated if the radio code is not successfully inherited / transmitted within this time.

4. Release the key switch once the radio code has been recognised.

The radio code switch is in normal operation.

11.3 Inheriting the radio code from the bell / light button

NOTE:

The radio code switch will go back to normal operation if you take longer than 5 seconds to enter each of the individual numbers.

1. Press a button to illuminate the keypad.
2. Press and hold the bell / light key.
 - The radio code is transmitted and the LED is illuminated blue for 2 seconds and then goes out.
 - After 5 seconds, the LED flashes alternately red and blue, the radio code switch transmits the device information.
 - The radio code is transmitted.

NOTE:

You have 15 seconds to inherit / transmit the code. The process must be repeated if the radio code is not successfully inherited / transmitted within this time.

3. Release the bell / light button as soon as the radio code is recognised.

The radio code switch is in normal operation.

11.4 Mixed operation / BiSecur and fixed code 868 MHz

If the BiSecur radio has been set, mixed operation is possible, i.e. existing hand transmitters with an 868 MHz fixed code (grey hand transmitters with blue buttons or the device designation HSD2-868) can be taught in from the radio code switch.

12 Reset

NOTE:

After you have gone through the individual steps for a device reset, the LED will be illuminated in blue or red. These displays vary according to the function. Please see section 13 for an explanation.

All radio codes are newly assigned by the following steps and the radio code switch is reset to the delivery condition.

1. Disassemble the top part of the housing for the radio code switch and remove a battery for 10 seconds.
2. Press and hold numerical key **0**.
3. Insert the battery.
 - The LED slowly flashes in blue for 4 seconds.
 - The LED flashes rapidly in blue for 2 seconds.
 - The LED is illuminated blue for a long time.
4. Release numerical key **0**.
All radio codes are newly assigned.
5. Assemble the housing for the radio code switch.

NOTE:

If numerical key **0** is released prematurely, no new radio codes are assigned.

12.1 Set the fixed code 868 MHz.

If immediately following the device reset, numerical key **0** remains pressed, the fixed code 868 MHz will be activated.

- The LED slowly flashes in red for 4 seconds.
- The LED flashes rapidly in red for 2 seconds.
- The LED is illuminated red for a long time.

All radio codes are newly assigned.

NOTE:

If numerical key **0** is released prematurely, the BiSecur radio will remain active.

Further information about operating the radio code switch with the fixed code 868 MHz can be found on the Internet at www.hoermann.com

13 LED display

Blue (BU)

Condition	Function
Illuminated briefly	Acknowledgement of a pressed button
Illuminated long	Acknowledgement of a correct personal code
	Save an entry
	Switch to normal operation
	End of the blocking time after several incorrect personal codes have been entered
Flashes slowly for 4 seconds, flashes quickly for 2 seconds, illuminated long	A valid radio code was discovered during the learning
	Device reset is being implemented or completed
Flashes quickly	A radio code is being transmitted

Red (RD)

Condition	Function
Flashes 2x	The batteries are almost empty.
Flashes 3x	The entered personal code is incorrect
	When programming an access code: <ul style="list-style-type: none"> • Memory space is occupied • This personal code already exists

Blue (BU) and Red (RD)

Condition	Function
Flashing alternately	The radio code switch is in inherit/transmit mode

14 Cleaning

ATTENTION

Damaging the radio code switch by faulty cleaning

Cleaning the radio code switch with unsuitable cleaning agents can damage the housing, as well as the buttons.

- ▶ Clean the radio code switch with a clean, soft, damp cloth.

15 Disposal



Electrical and electronic devices as well as batteries may not be disposed of in household rubbish. They must be disposed of at the appropriate recycling facilities.



16 Technical data

Type	Radio code switch FCT 3 BiSecur
Frequency	868 MHz
Power supply	4× 1.5 V battery, type: AAA (LR03)
Perm. ambient temperature	-20 °C to +60 °C
Protection category	IP 54

17 EC declaration of conformity

As defined in the Radio Equipment Directive (RED) 2014/53/EU

Herewith the

Company Hörmann KG Verkaufsgesellschaft
Upheider Weg 94-98
D-33803 Steinhagen

declares that this

device Radio code switch for operators and their accessories

Article designation	Type designation
FCT 3 BiSecur	FCT3-868-BS

based on its design and style in the marketed version is in accordance with the basic requirements and other relevant requirements of the Radio Equipment Directive (RED) 2014/53/EU.

Any modification made to this device without our express permission and approval shall render this declaration null and void.

Applied and consulted standards and specifications:

EN 60950-1

EN 300 220-1

EN 300 220-2

EN 301 489-1

EN 301 489-3

This device may be operated in all EU countries, Norway, Switzerland and other countries.

Steinhagen, 13.06.2016



Axel Becker
Managing Director