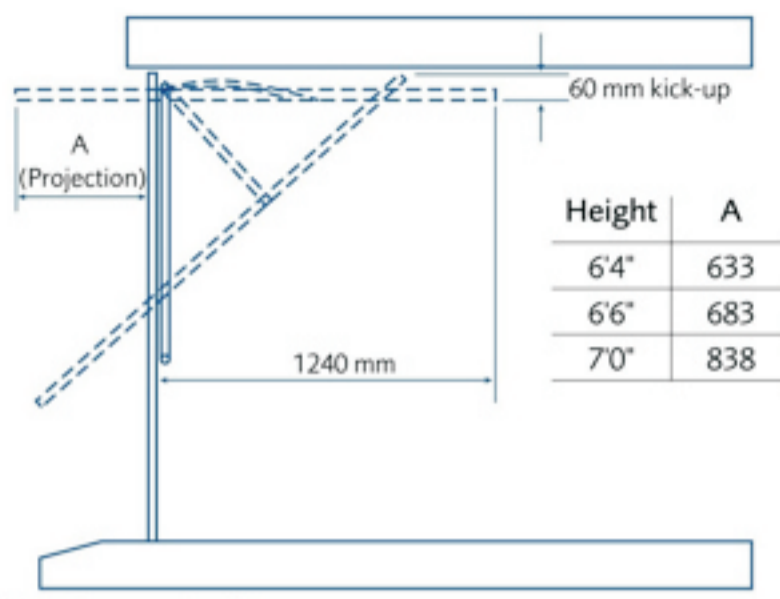


The canopy gear allows the door to travel in vertical tracks and is counterbalanced by an overhead torsion spring.

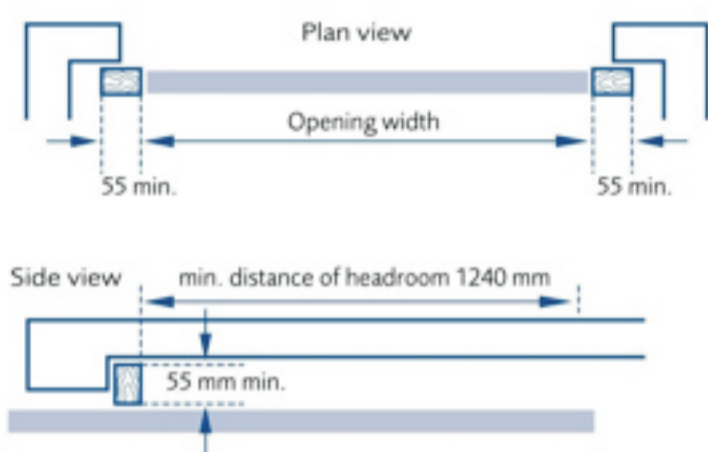
The normal drive through is 40mm less than the opening width and 130mm less than the opening height.

In the open position, the door projects approximately one third of the door height, forming a canopy.

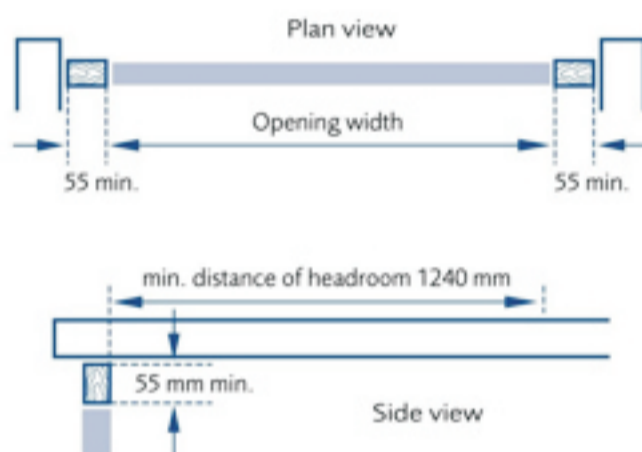
For doors fitted with an operator, please respect operator specifications.



On Site Timber Frame



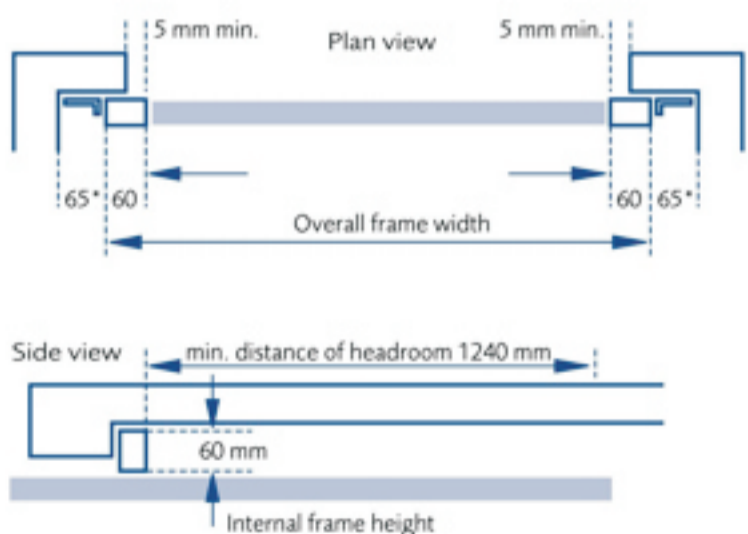
Behind Brickwork Fixing



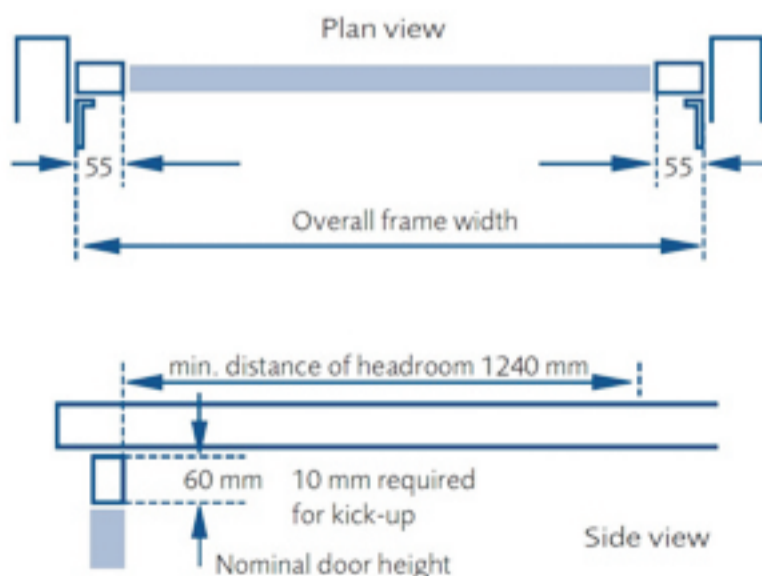
Between Brickwork Fixing

Factory Pre-Framed with steel box frame

The Garage door is supplied factory fitted to a steel box section frame and is secured to the brickwork using just 7 fixings.



Behind Brickwork Fixing
*width of anchor in this position



Between Brickwork Fixing