



Garage Side Sliding Sectional Doors

Technical Manual: Issue 01.08.2015



Contents

Contents	Page
Door type / door leaf	3
HST, M-ribbed, Woodgrain	4
HST, M-ribbed, Sandgrain, Silkgrain, Decograin	5
HST, L-ribbed, Woodgrain	6
HST, L-ribbed, Sandgrain, Silkgrain, Decograin	7
HST, S-panelled, Woodgrain	8
HST, S-panelled, Decograin	9
ES track application – Operator wall fitting	10
DS track application – Operator wall fitting, small sideroom X	11
ES track application – Operator ceiling fitting A	12
ES track application – Operator ceiling fitting B	13
ES track application – Operator ceiling fitting B sliding door	14
Details	15

Door leaf constructions and track applications as well as fitting examples are provided in this manual.

Before fitting a sectional door, the structural opening must be finished and the garage floor must be laid and level.

No part may be reproduced without our prior permission.

All rights reserved.

All dimensions in mm.

Subject to design changes.

Door type	Door leaf
Side sliding sectional door HST – Double-skinned steel sections	
<ul style="list-style-type: none"> • M-ribbed Woodgrain, Sandgrain, Silkgrain or Decograin 	<ul style="list-style-type: none"> • Double-skinned, PU-foamed door sections, Woodgrain, Sandgrain, Silkgrain, or Decograin exterior, Stucco-textured interior • Door sections with identical width, vertically ribbed, manufactured from hot-galvanized sheet steel • Surface with polyester-primer coating (with Decograin, plastic film coating on the outside) • Glazing possible in the top door section • Ventilation grille possible in the bottom door section
<ul style="list-style-type: none"> • L-ribbed Woodgrain, Sandgrain, Silkgrain or Decograin 	<ul style="list-style-type: none"> • Double-skinned, PU-foamed door sections, Woodgrain, Sandgrain, Silkgrain, or Decograin exterior, Stucco-textured interior • Door sections with identical width, not ribbed, manufactured from hot-galvanized sheet steel • Surface with polyester-primer coating • Glazing possible in the top door section • Ventilation grille possible in the bottom door section
<ul style="list-style-type: none"> • S-panelled Woodgrain or Decograin 	<ul style="list-style-type: none"> • Double-skinned, PU-foamed door sections, Woodgrain or Decograin exterior, Stucco-textured interior • Panelled door sections with identical width, manufactured from hot-galvanized sheet steel • Surface with polyester-primer coating (with Decograin, plastic film coating on the outside) • Glazing possible in the top door section • Ventilation grille possible in the bottom door section

For further details, see the brochure.


HST Side Sliding Sectional Door


S-panelled

Decograin

External views

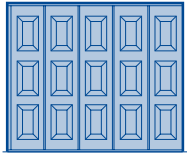
(The illustrations correspond to size 2500 x 2125 mm. Deviations may occur with other sizes.)

 Size range in which an operator ProMatic can be used.

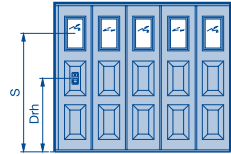
 Size range in which an operator SupraMatic is required.

Standard sizes

Basic model



With glazing S0, S1, S2



Intermediate heights in 5 mm grid, intermediate widths are not possible.

Grid height														K	S	DRH													
	3000														4	2658	1155												
2875														4	2487	1129													
2750														4	2382	1081													
2625														4	2281	1031													
2500														4	2156	989													
2375														3	1995	1219													
2250														3	1845	1156													
2205														3	1821	1134													
2125														3	1731	1093													
2080														3	1708	1071													
2000														3	1668	1031													
	4				5				6		7		8		9		10		11		12		13		Number of door sections, glazing type S				
	500	520	531	550	562	475	500	525	550	479	500	520	468	500	468	500	531	500	475	500	525	500	475	500	525	500	Door section height		
	2000	2080	2125	2205	2250	2375	2500	2625	2750	2875	3000	3125	3275	3500	3750	4000	4250	4500	4750	5000	5250	5500	5700	6000	6300	6500	K	Number of panels	
																											DRH	Lever height	

HST Side Sliding Sectional Door

ES track application, standard sizes

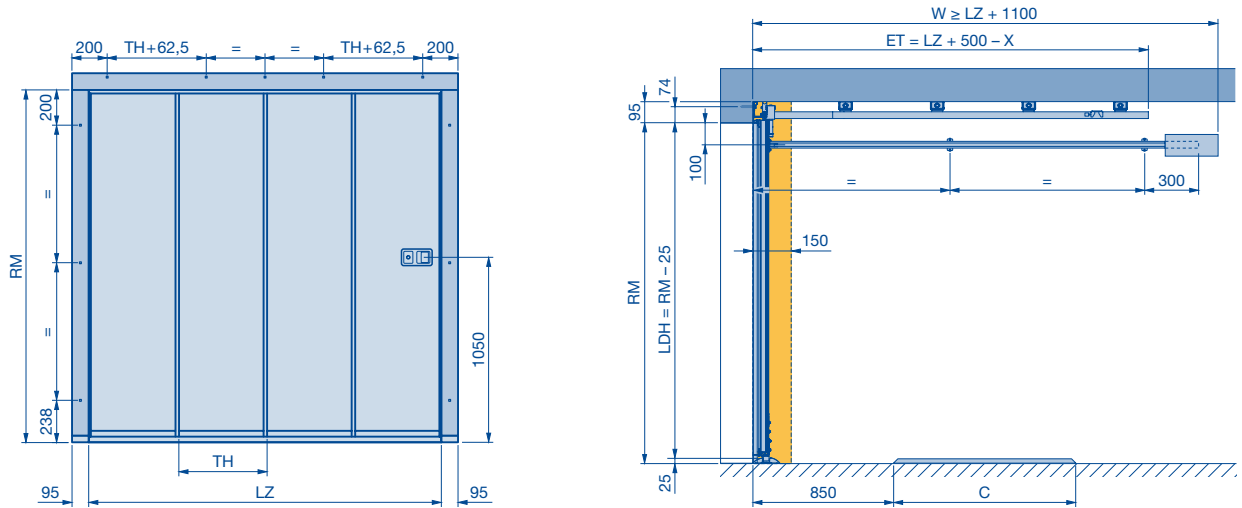
Operator fitting to wall

Manual operation

(The illustrations correspond to size 2250 × 2125 mm. Deviations may occur with other sizes.)

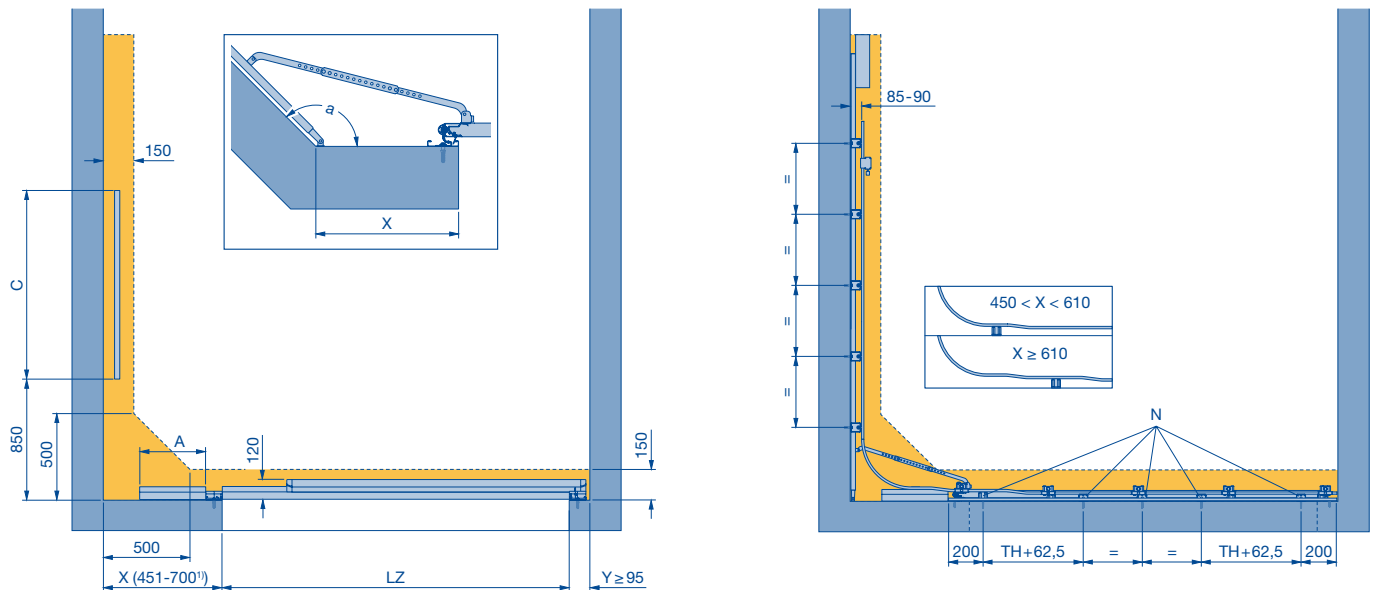
Note:

The clearance for fitting and subsequent operation of the door must be complied with.



Floor rail view

Track view



A = length of short floor rail	
$451 \leq X \leq 605$	A = 300
$605 < X \leq 900$	A = X - 305

C = side floor rail length ²⁾	
$701 \leq X < 1000$	LZ - 250
$X \geq 1000$	LZ + 500 - X
Additional floor rail ³⁾	
$X \geq 3000$	LZ - 845

Fastening, one-part top frame	
LZ	N
1800 - 2205	4
2206 - 2625	5
2626 - 3125	6
3126 - 3750	7
3751 - 4250	8
4251 - 4750	9
4751 - 5000	10
Fastening, two-part top frame	
5001 - 5500	10
5501 - 6500	12

Curve angle [a]	Max. X
135°	458
130°	497
125°	531
120°	561
115°	587
110°	612
105°	635
100°	657
95°	697
90°	700

1) X values > 700 to 1000 possible for doors without operator; X values > 1000 possible for doors without operator with "HST reveal depth extension" set

2) LZ > 5000 two-part version

3) Side floor rail along the X reveal

HST Side Sliding Sectional Door

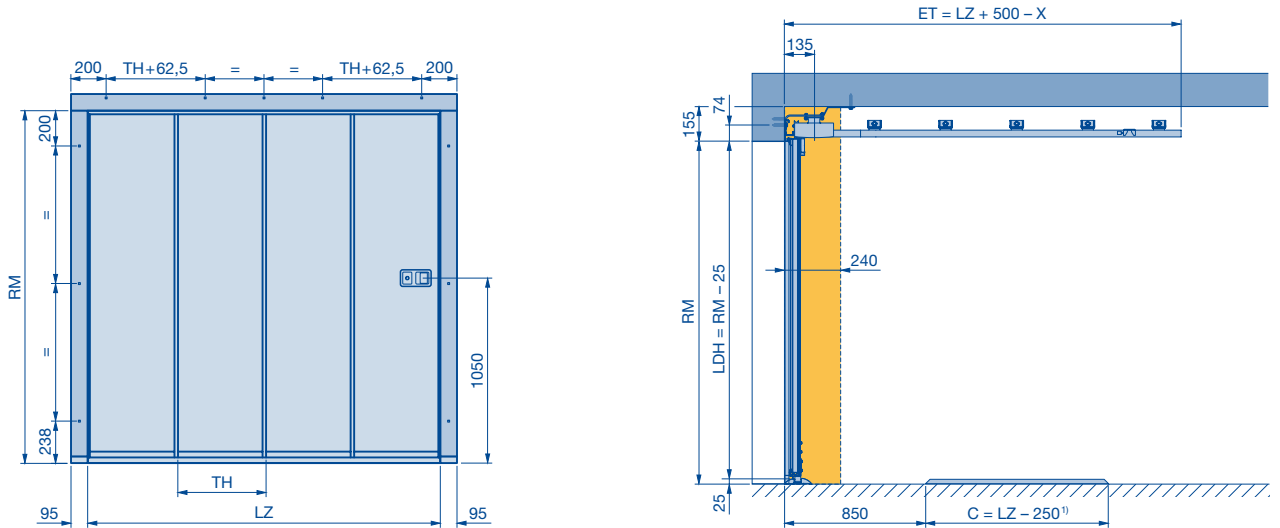
ES track application, standard sizes

Operator ceiling fitting A

(The illustrations correspond to size 2250 x 2125 mm. Deviations may occur with other sizes.)

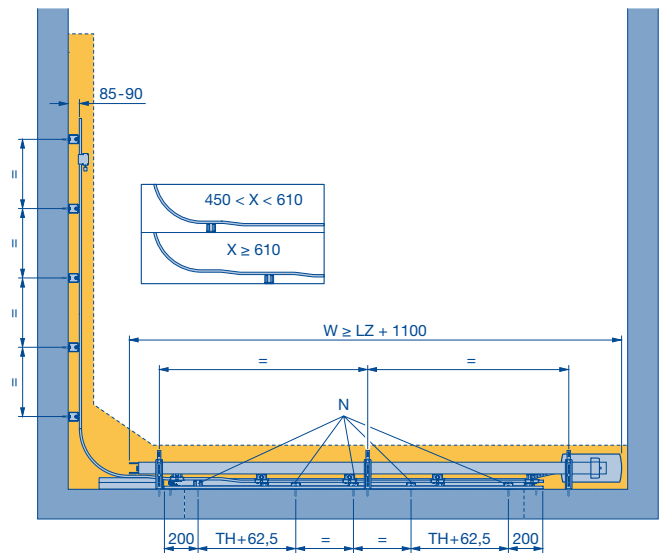
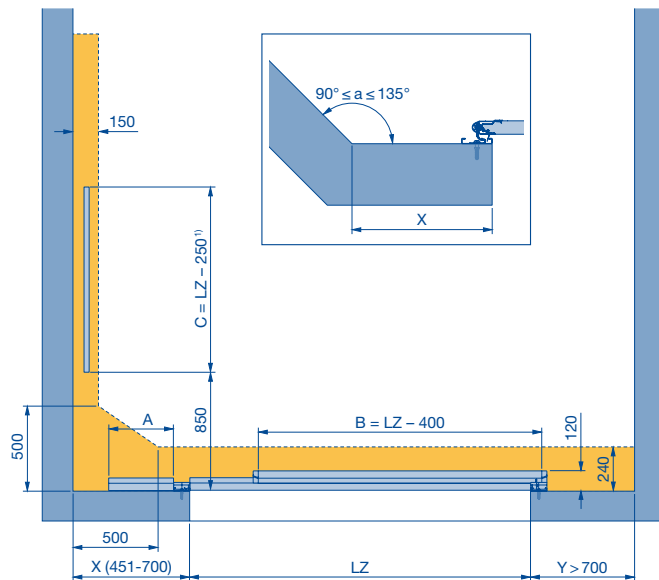
Note:

The clearance for fitting and subsequent operation of the door must be complied with.



Floor rail view

Track view



A = length of short floor rail	
451 ≤ X ≤ 605	A = 300
605 < X ≤ 700	A = X - 305

Fastening, one-part top frame	
LZ	N
1800 - 2249	5
2250 - 2624	6
2625 - 3124	7
3125 - 3999	8
4000 - 4499	9
4500 - 4999	10
5000	11
Fastening, two-part top frame	
5001 - 5749	12
5750 - 6500	14

1) LZ > 5000 two-part version

HST Side Sliding Sectional Door

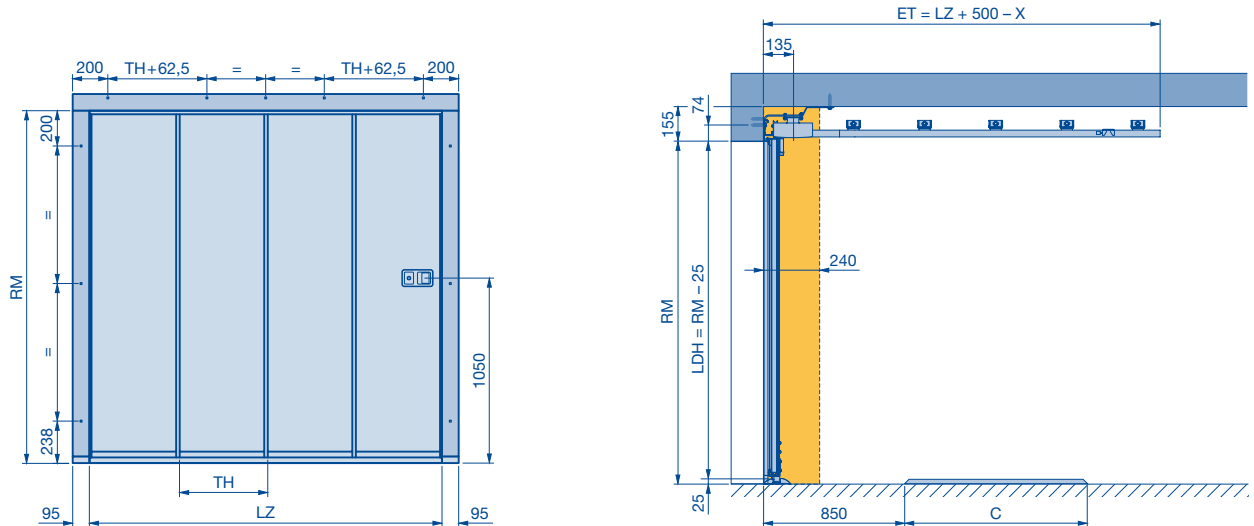
ES track application, standard sizes

Operator ceiling fitting B

(The illustrations correspond to size 2250 × 2125 mm. Deviations may occur with other sizes.)

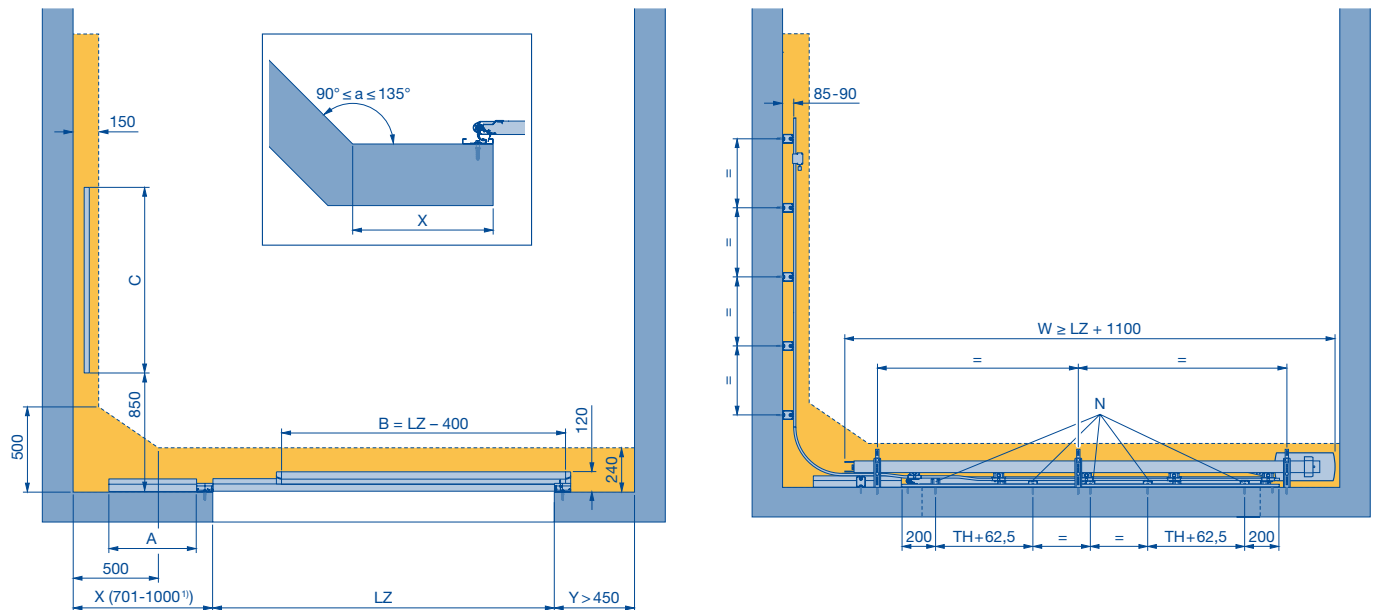
Note:

The clearance for fitting and subsequent operation of the door must be complied with.



Floor rail view

Track view



A = length of short floor rail

$451 \leq X \leq 605$	$A = 300$
$605 < X \leq 900$	$A = X - 305$

C = side floor rail length²⁾

$701 \leq X < 1000$	$LZ - 250$
$X \geq 1000$	$LZ + 500 - X$

Additional floor rail³⁾

$X \geq 3000$	$LZ - 845$
---------------	------------

Fastening, one-part top frame

LZ	N
1800 – 2205	4
2206 – 2625	5
2626 – 3125	6
3126 – 3750	7
3751 – 4250	8
4251 – 4750	9
4751 – 5000	10

Fastening, two-part top frame

LZ	N
5001 – 5500	10
5501 – 6500	12

1) X values > 1000 possible with "HST reveal depth extension" set

2) LZ > 5000 two-part version

3) Side floor rail along the X reveal replaces short floor rail A

HST Side Sliding Sectional Door

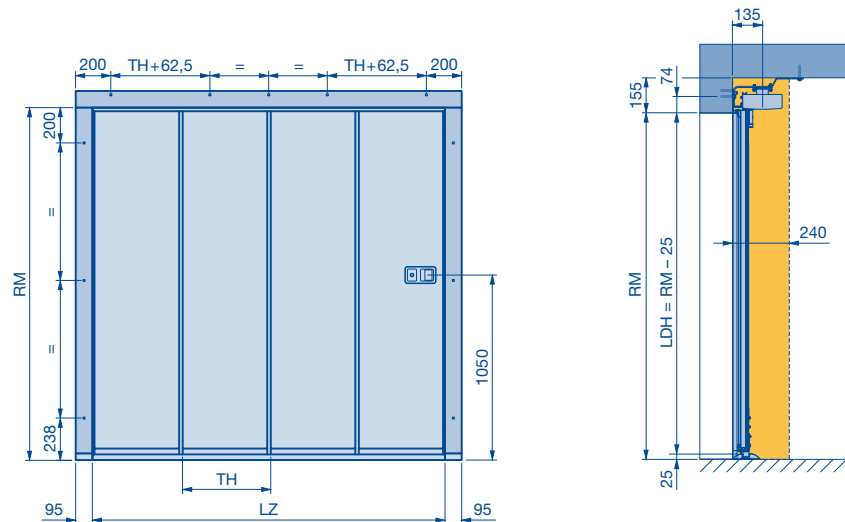
ES track application, standard sizes

Operator ceiling fitting B sliding door

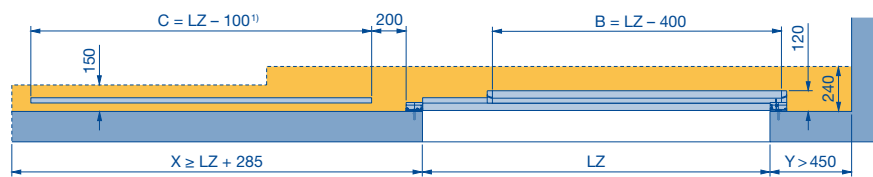
(The illustrations correspond to size 2250 × 2125 mm. Deviations may occur with other sizes.)

Note:

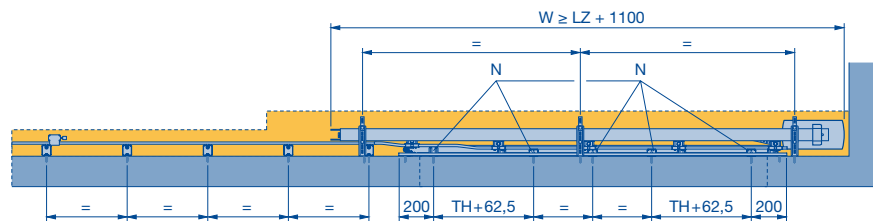
The clearance for fitting and subsequent operation of the door must be complied with.



Floor rail view



Track view

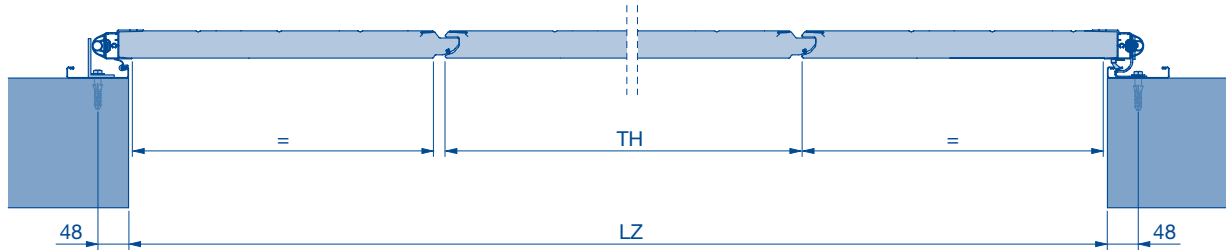


1) $LZ > 5000$ two-part version

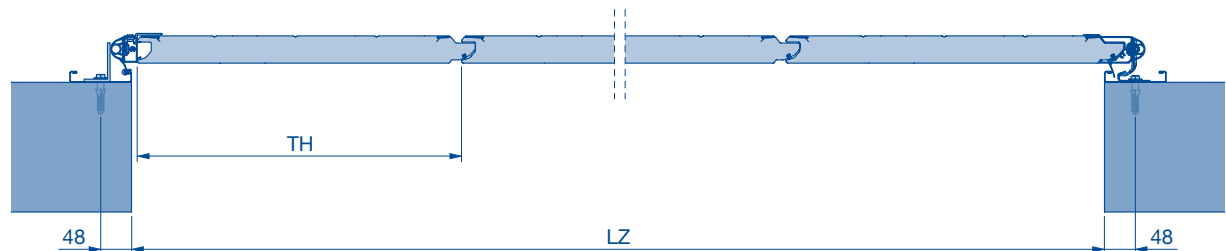
HST Side Sliding Sectional Door

Details

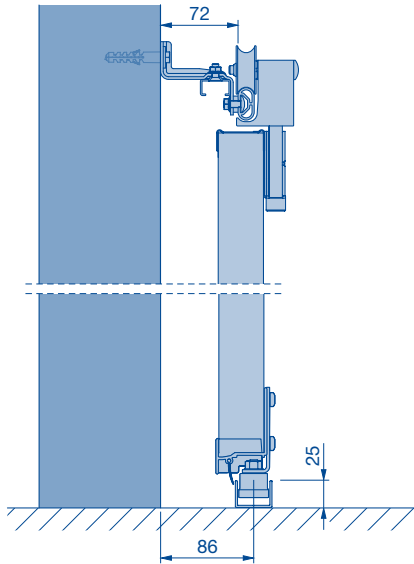
Door in intermediate width



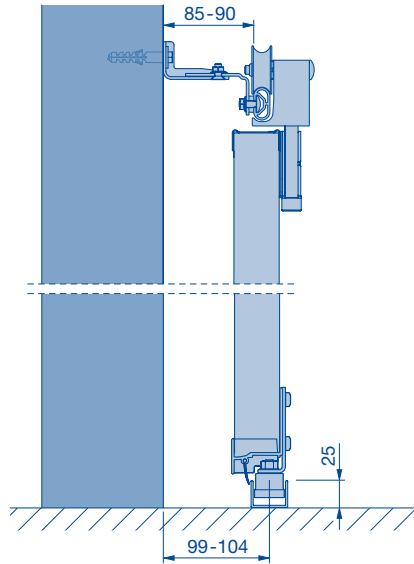
Door in grid width (standard sizes)



Side wall, DS track application
Top edge

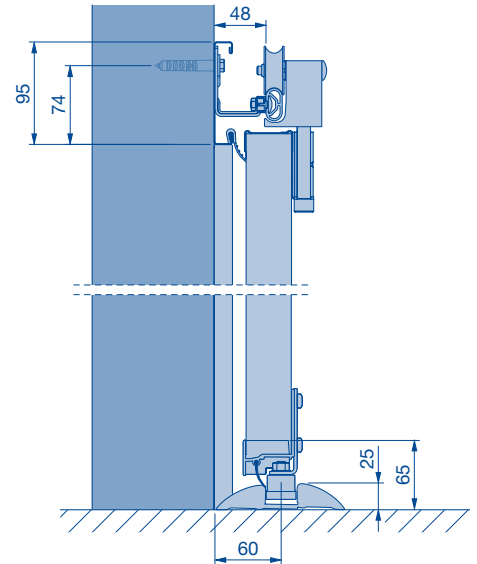


Side wall, ES track application
Top edge



Front wall

Top edge



Bottom edge

Bottom edges with drainage (EW)

