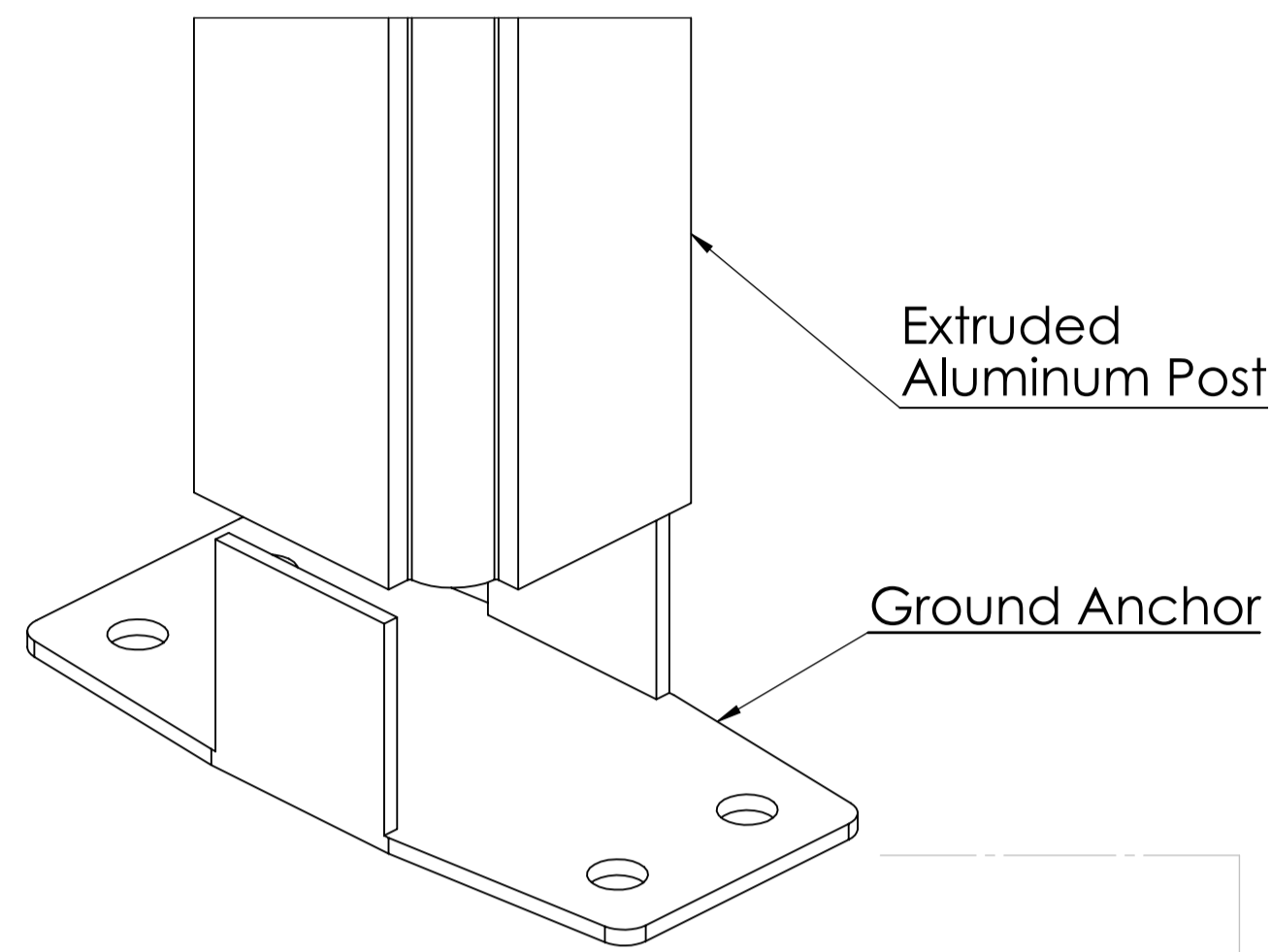


The Milwood Group

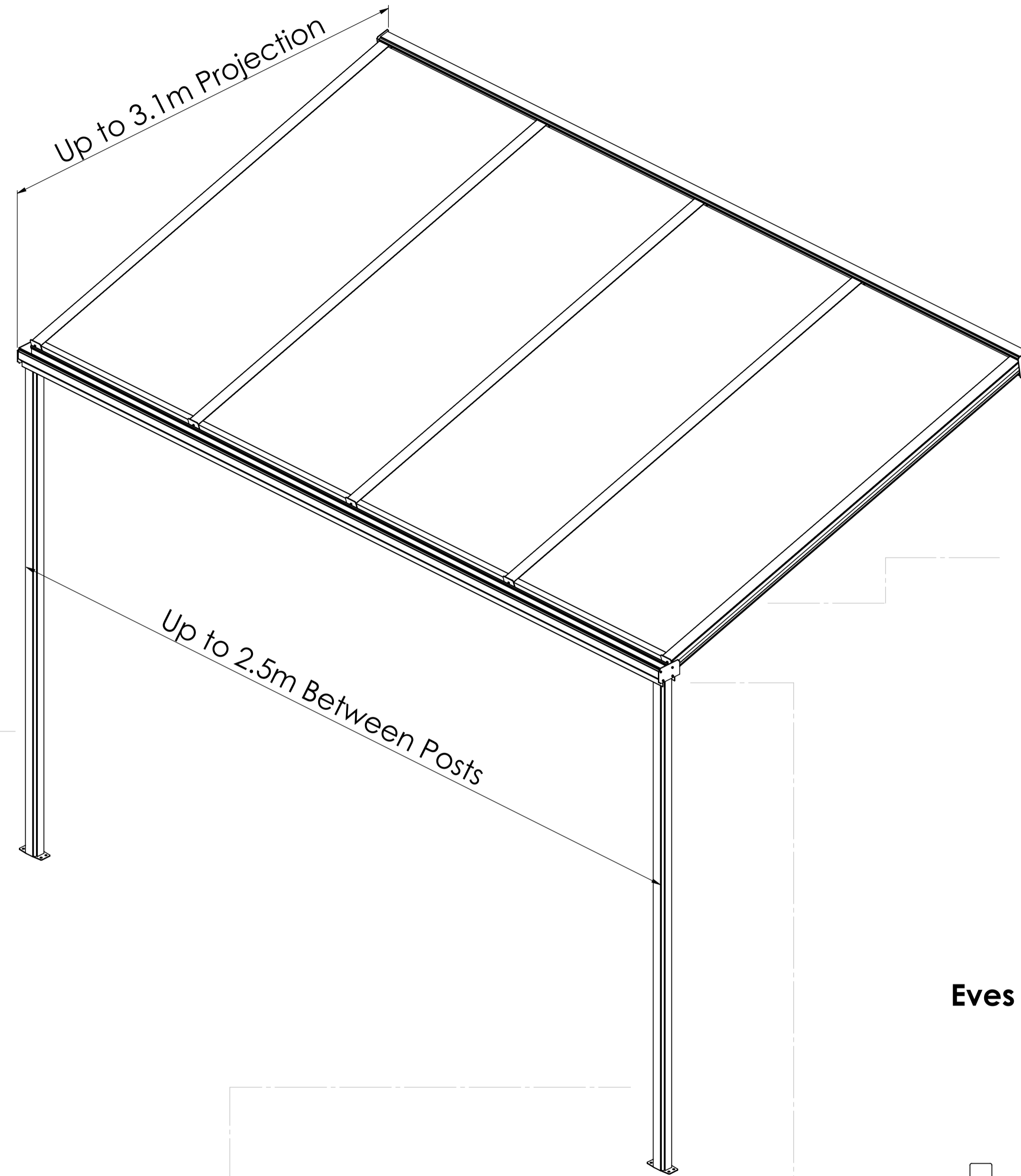
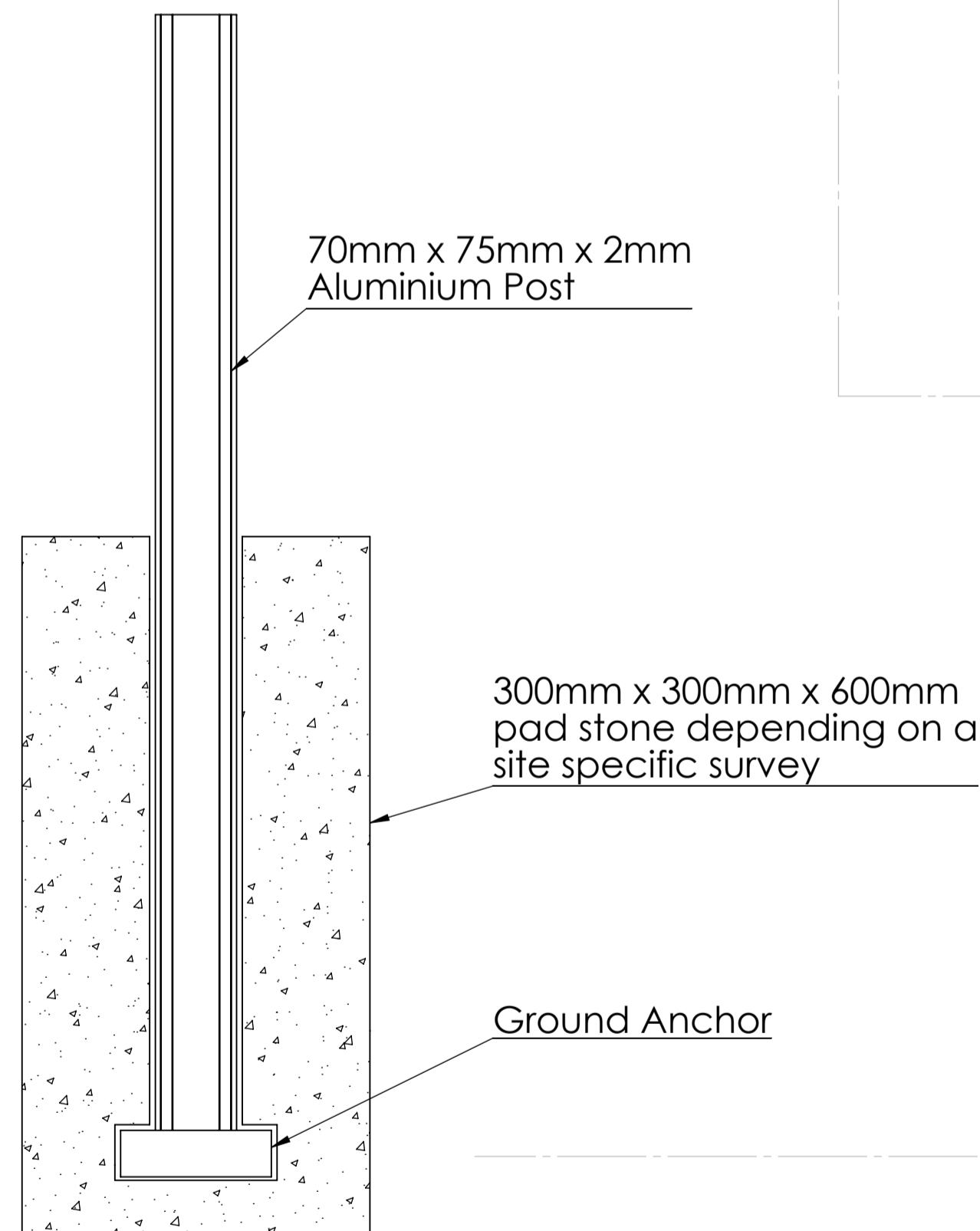
Simplicity 6mm Wall Mounted System

Base & Post Connection Information

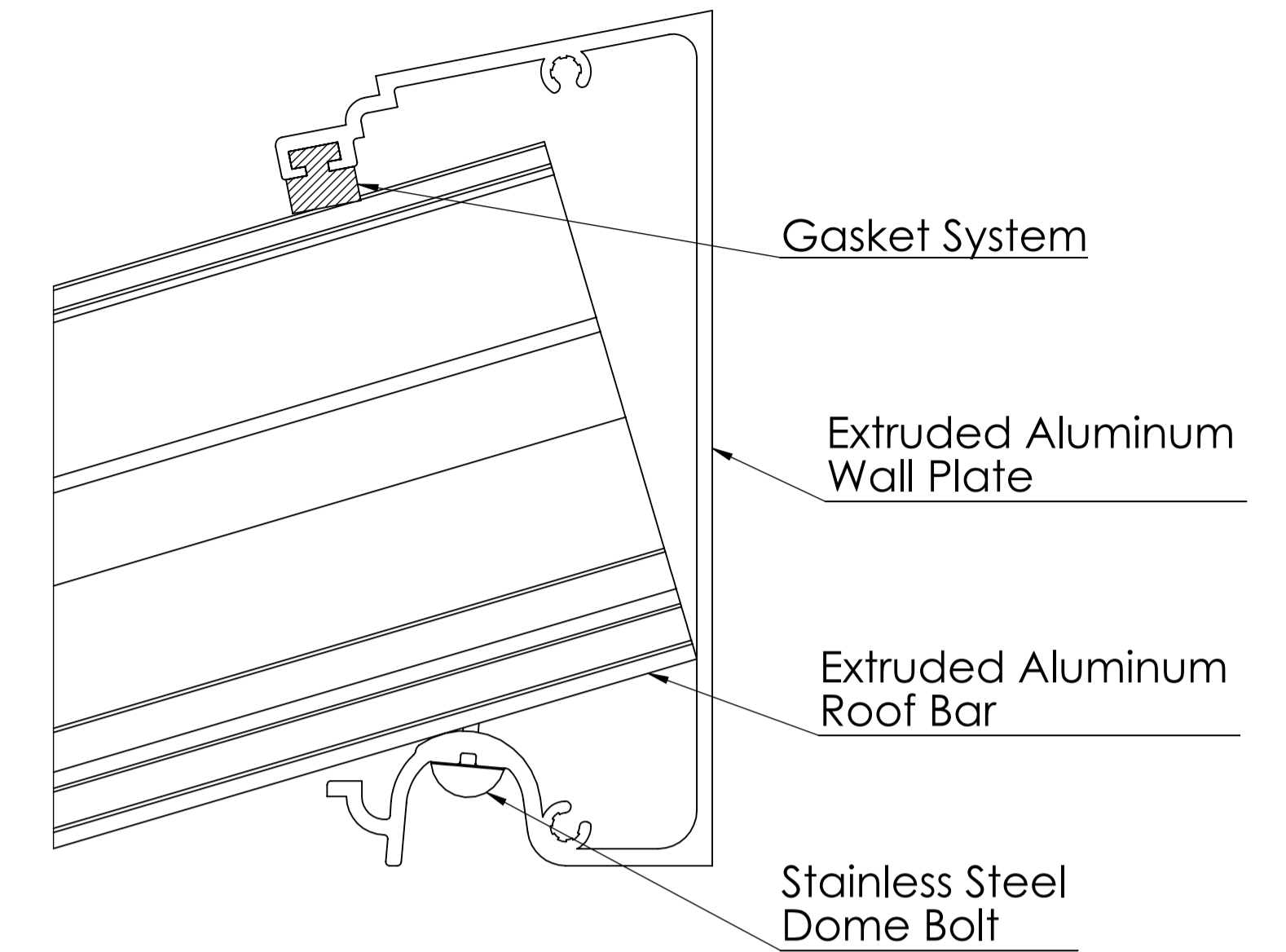
Option A - Floor Mounted



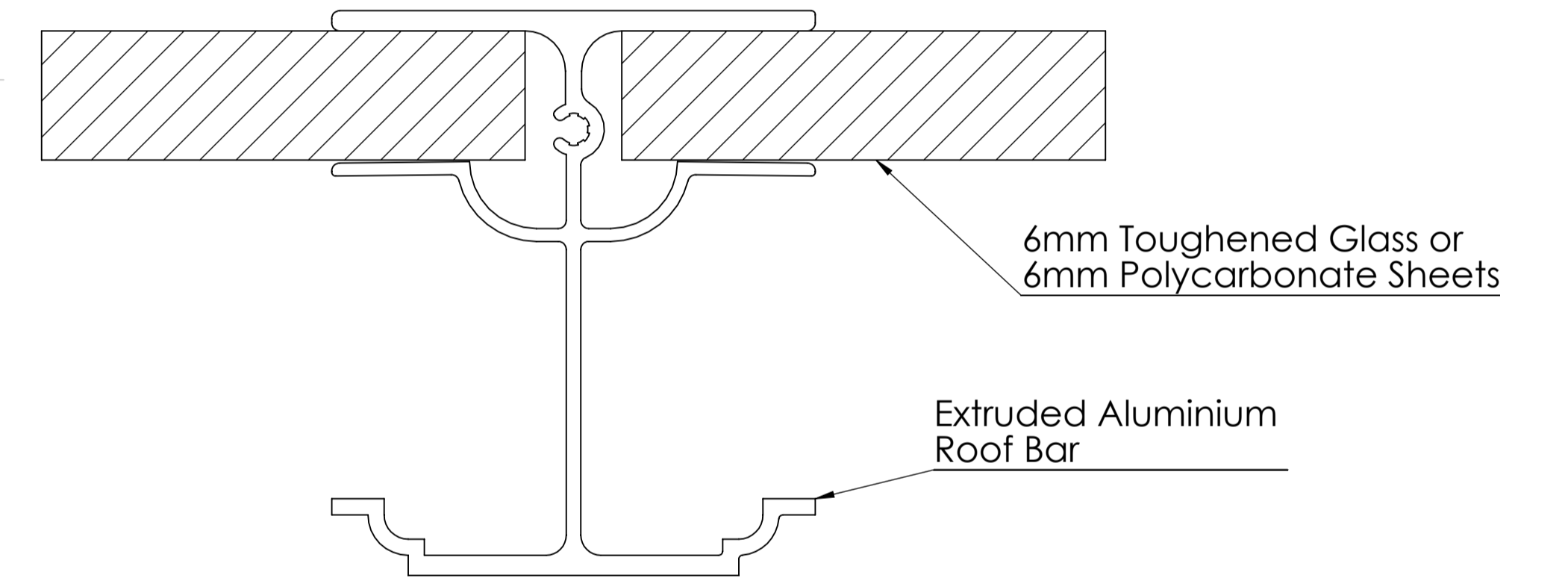
Option B - Set in Concrete



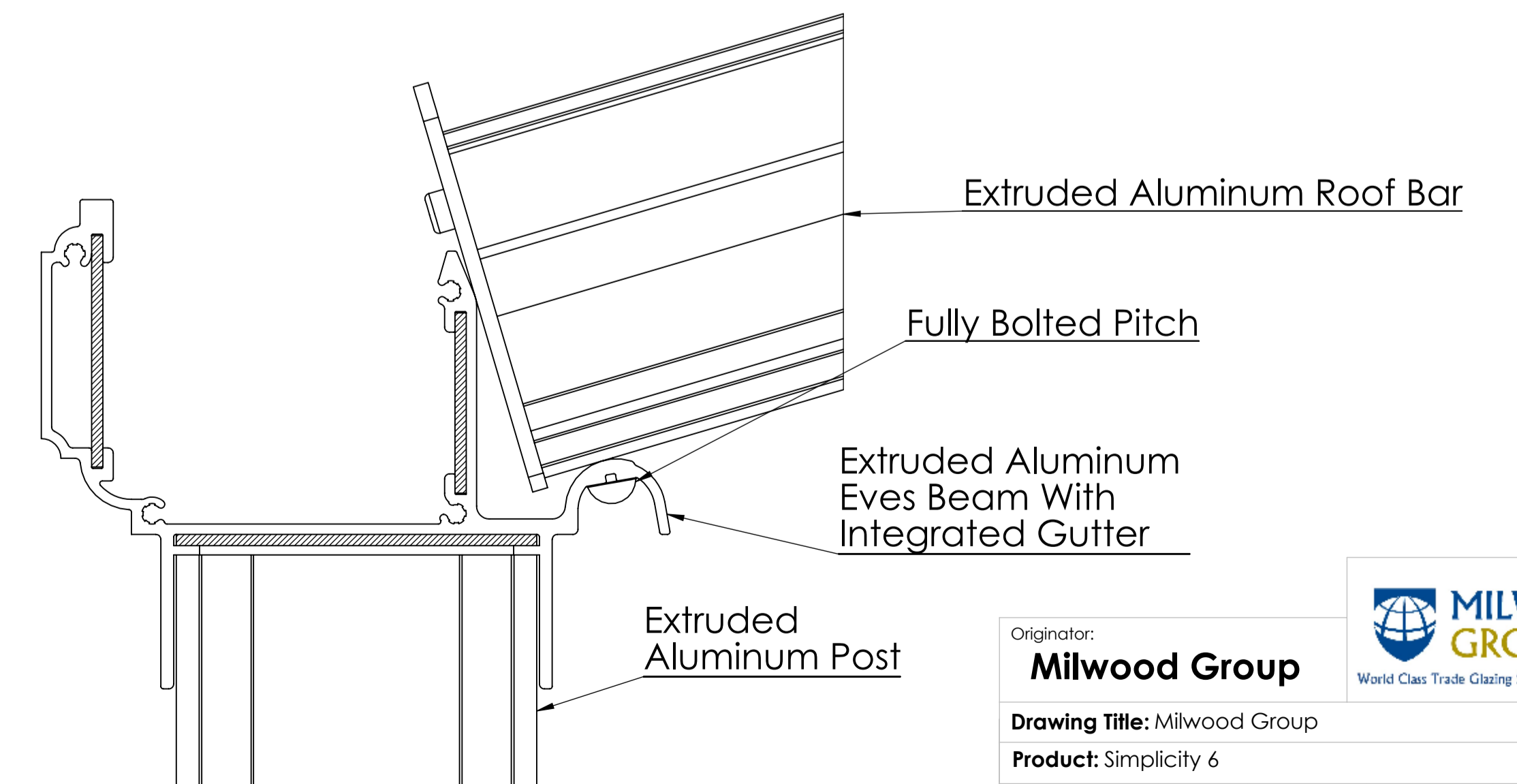
Wall Plate & Roof Bar Section



Roof Bar & Sheet Section




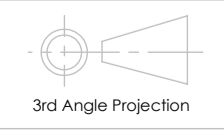
Eaves Beam Roof Bar & Post Section



Material List & Component Information

1. The canopy wall plate is an extruded aluminum profile which fixes to the wall or steel bracket.
 2. This canopy uses 6mm toughened glass roof panels or 6mm solid polycarbonate sheets
 3. This canopy uses our gasketed 6mm roof system, constructed from T6 grade structural aluminum frame.
 4. The canopy is complete with downpipes. Available white as standard or any standard RAL colour.
- The frame is available, Powder coated.

Please note: This is a standardised product data sheet and is subject to change depending on individual cases, or site specific surveys.

Originator:		Milwood Group			
Drawing Title:		Milwood Group			
Product:		Simplicity 6			
	Page	Date	Page Size	Scale	Drawn
	1 of 1	08-10-14	A3 (L)	N/A	CG
This drawing and the product it displays is the sole property of The Milwood Group Ltd. Any reproduction of this drawing or product without the written permission of The Milwood Group Ltd is prohibited.		Finish	Issuer	(Tol)	Revision
		PPC	ACS	+/- 1mm	v1.2