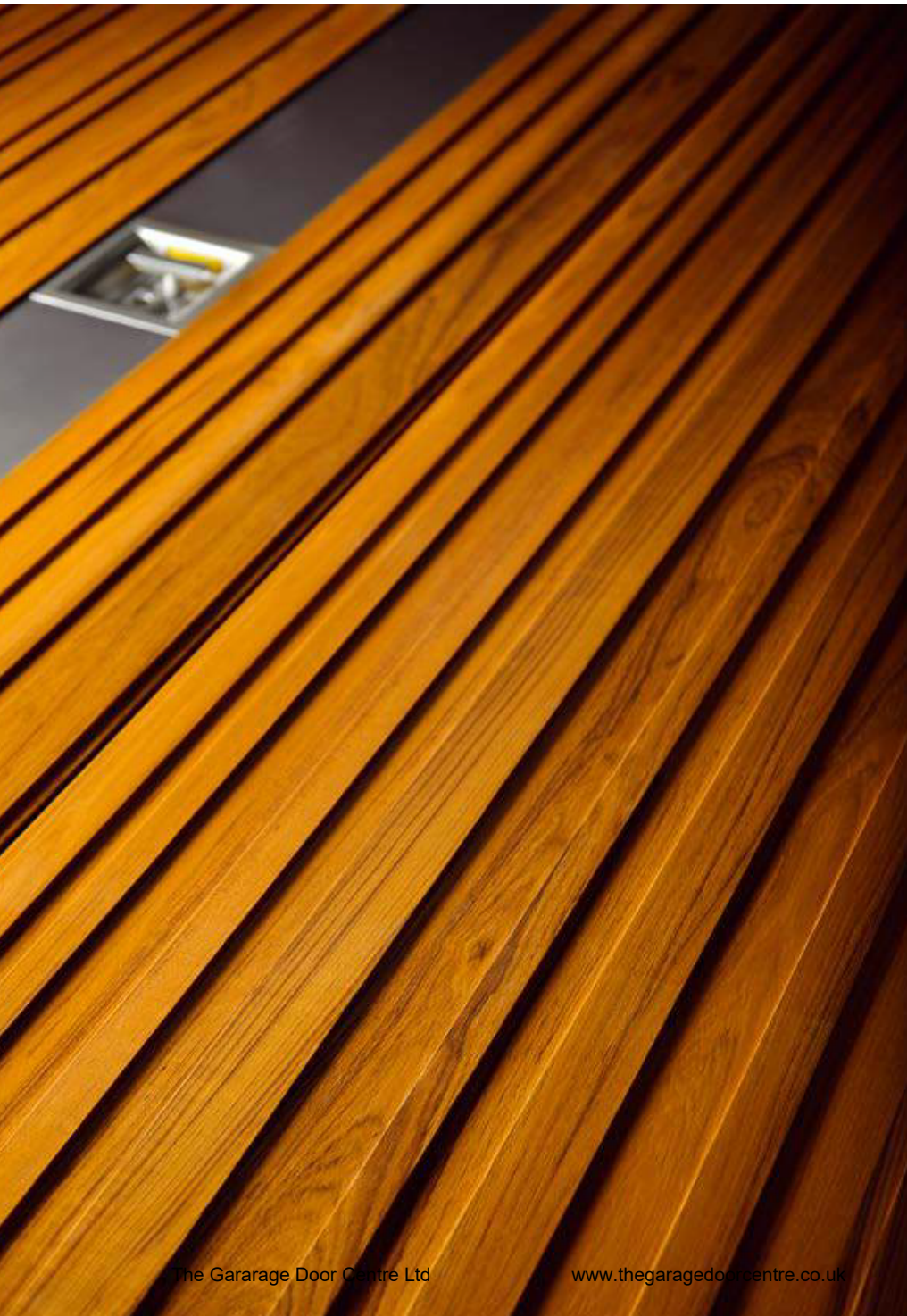


# Securlap Garage Door

## Technical Information



# SILVELOX



# SECURLAP

## TRACKLESS SECTIONAL DOOR CONSTRUCTION STANDARD

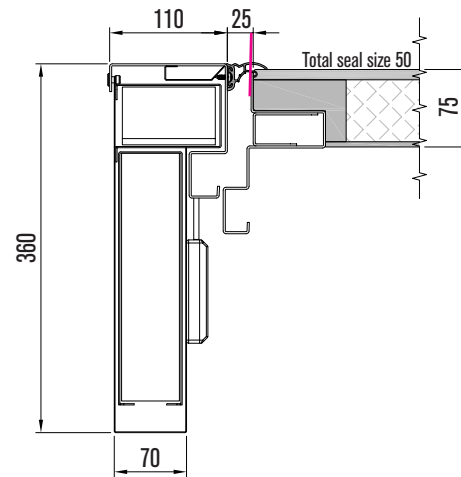
- Frame made by 2 mm thick metal sheet, varnished anthracite grey colour.
- Sections made by structural sandwich panels in Multiecowood 75 mm thick.
- Lower seal in EPDM rubber with drip profile.
- Balancing through double counterweight system.
- Outer side varnished with eco-friendly water based products or metal coated.
- Inner side in wood Okoume as exterior finish.
- Pair of safety photocells on the side uprights.
- Double external Grey handle, completely embedded into the door leaf.
- Upper handle with lock with European drill resistant cylinder, 3 keys.

### TECH SPECS

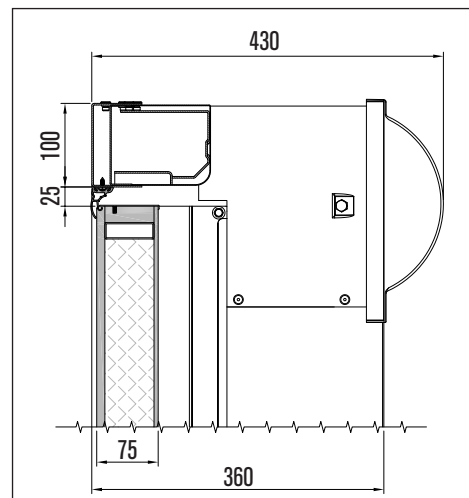
- Sectional door made by two overlapping sections.
- Thermal insulation  $U = 1,00 \text{ W/m}^2\text{K}$  (value obtained for a door without windows and grills with behind wall installation).
- Excellent performance in terms of acoustic insulation and water/wind proofing.
- Electromagnetic operator integrated in the head-bar (for garages with no other accesses, a double handle has to be added, available as accessory). Additional receivers and remote controllers available upon request.
- Standard motor 200 W

## PERIMETER FRAME DIMENSIONS

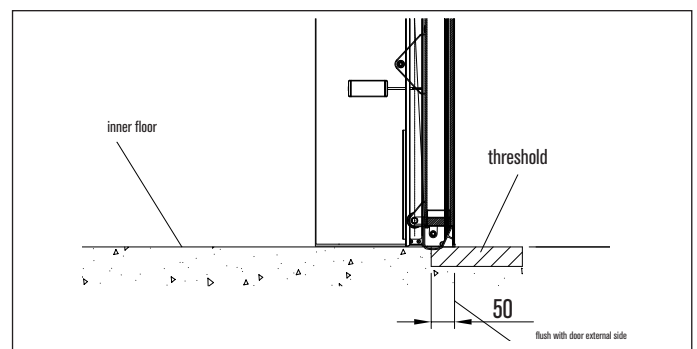
Horizontal section



Verticale section



## THRESHOLD DETAIL

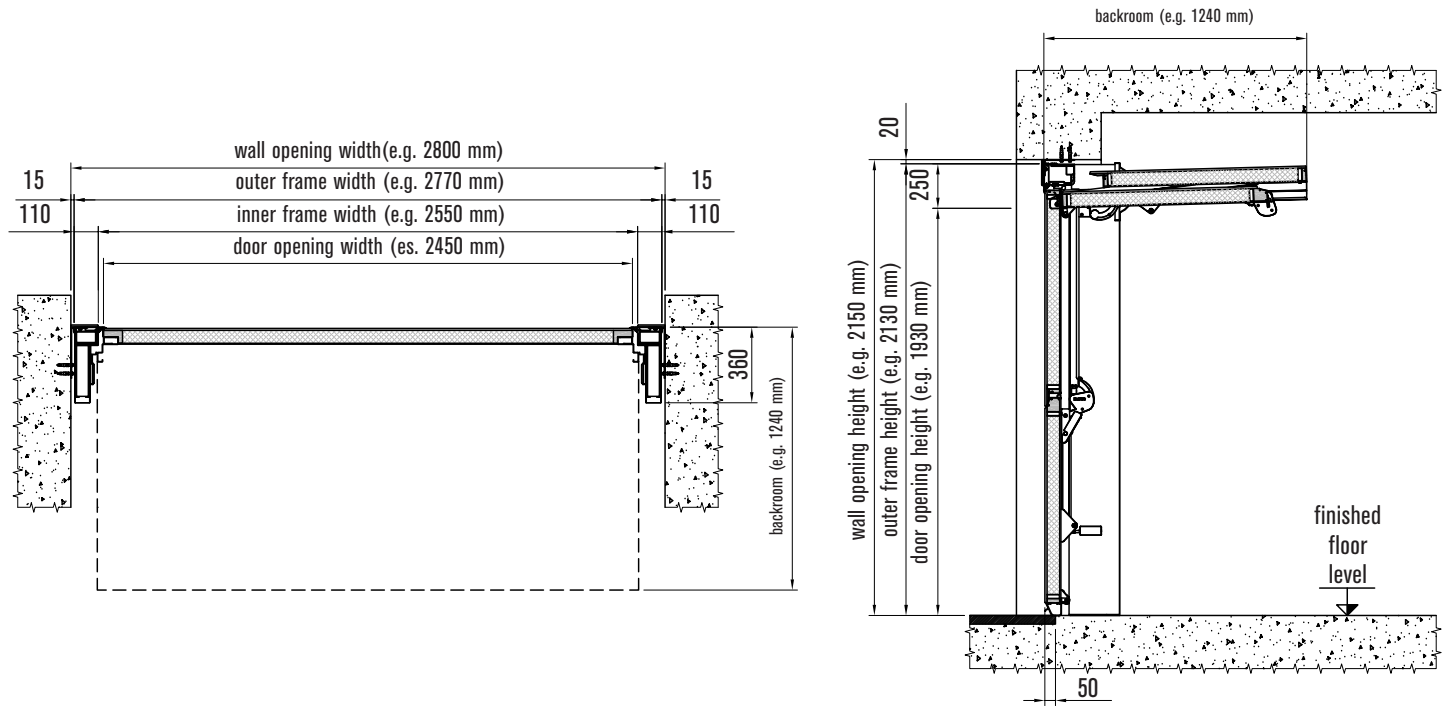


**IMPREGNATING STD:** Impregnating stain and water-based available in standard finishes: Honey, Oak, Douglas, Mahogany, Walnut or Dark Walnut, Green, Cherry

**Lacquered RAL STD:** Satin lacquer with water-based coating in standard RAL colours :6009 Fir Green, 7016 Anthracite Grey, 7030 Stone Grey, 9010 Pure White, 9016 Traffic White, 1013 Pearl White, 7035 Light Grey, 7040 Window Grey, 7044 Silk Grey, 1019 Grey beige, 7006 Beige grey, 7039 Quartz Grey, 6013 Reed green, 3009 Oxide Red

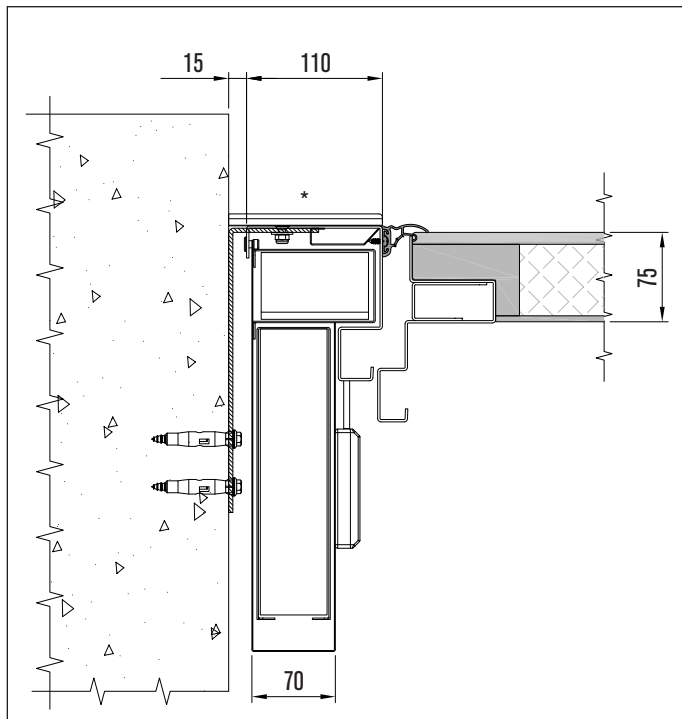
## INSTALLATION TYPES

BETWEEN WALL installation (doors in sector A, C, E)

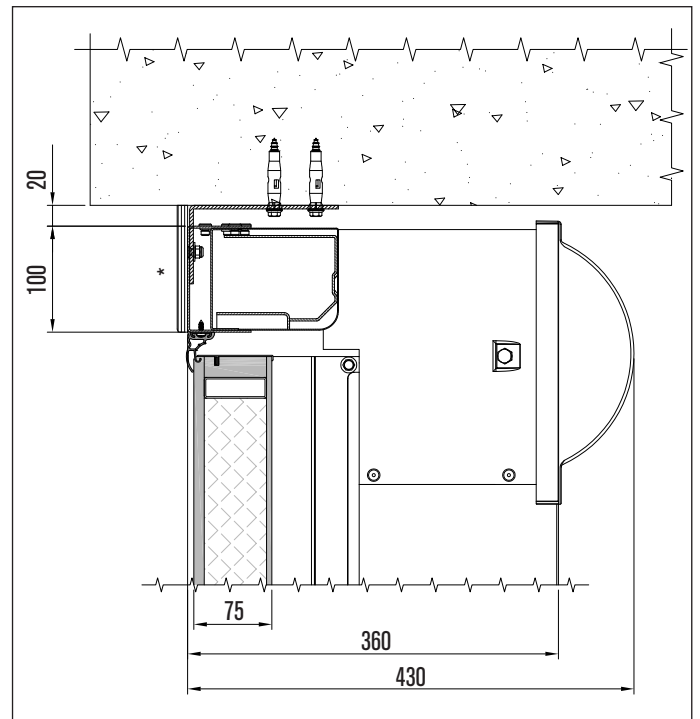


Fixing detail of BETWEEN WALL installation (doors in sector A, C, E)

Horizontal section



Verticale section



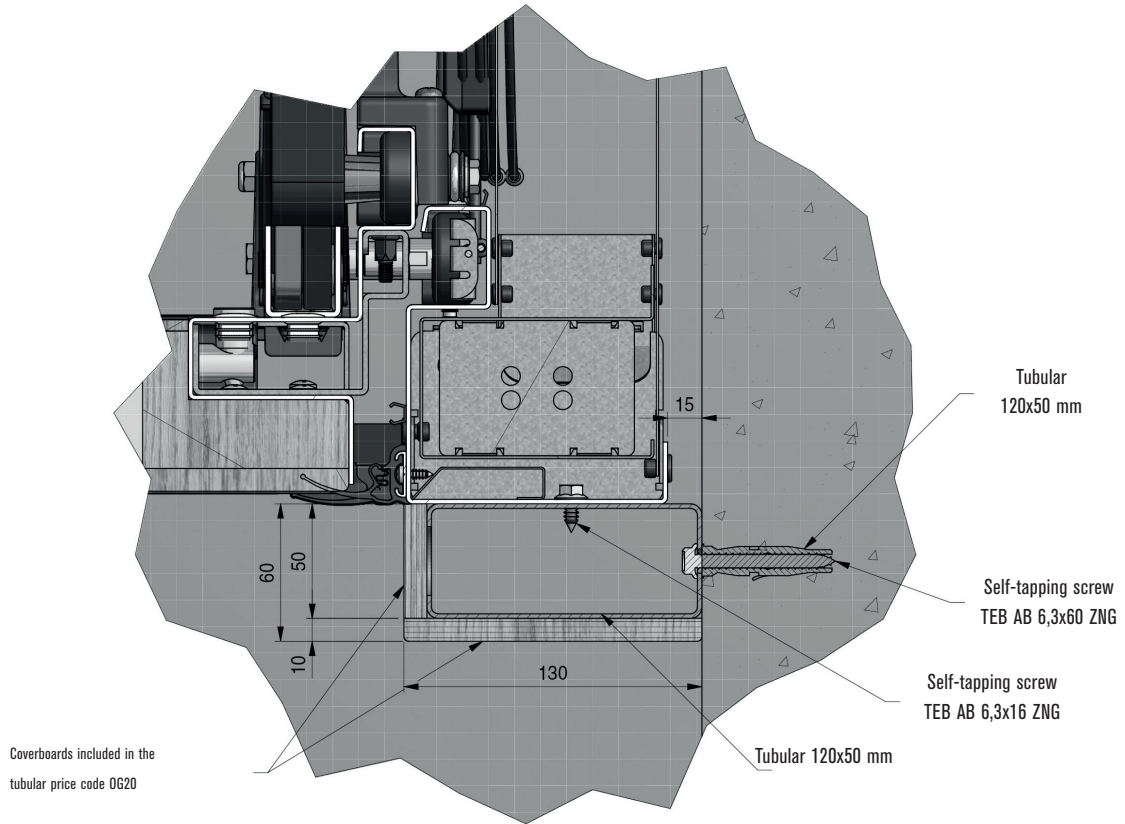
\* External wooden fascia boards available as accessory on page 13 to be requested when ordering the door



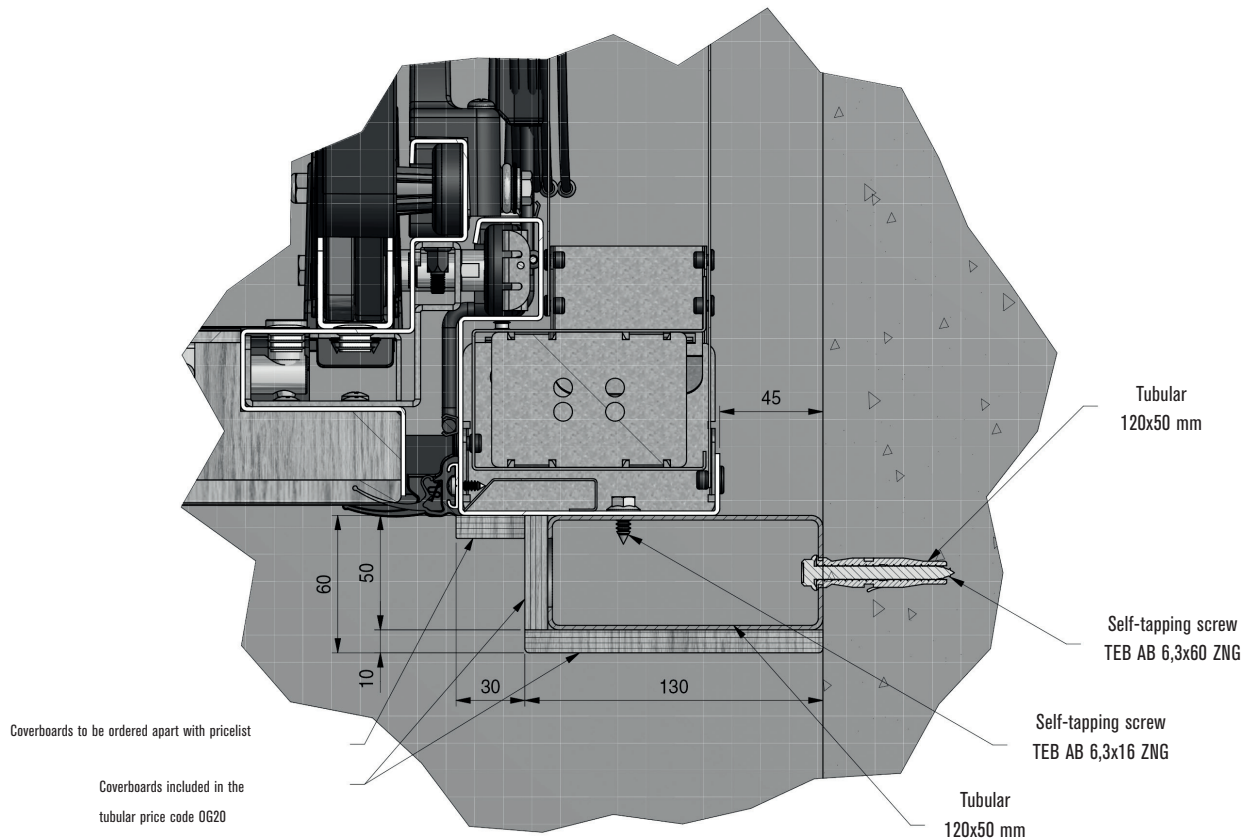
## INSTALLATION TYPES

Detail of installation with fixing tubulars code OG20 (accessory on page 13 to be requested when ordering the door), necessary for wall openings without side-room and/or head-room for doors in sector B, D, F, G, H, I.

Tubular completely on top of the frame

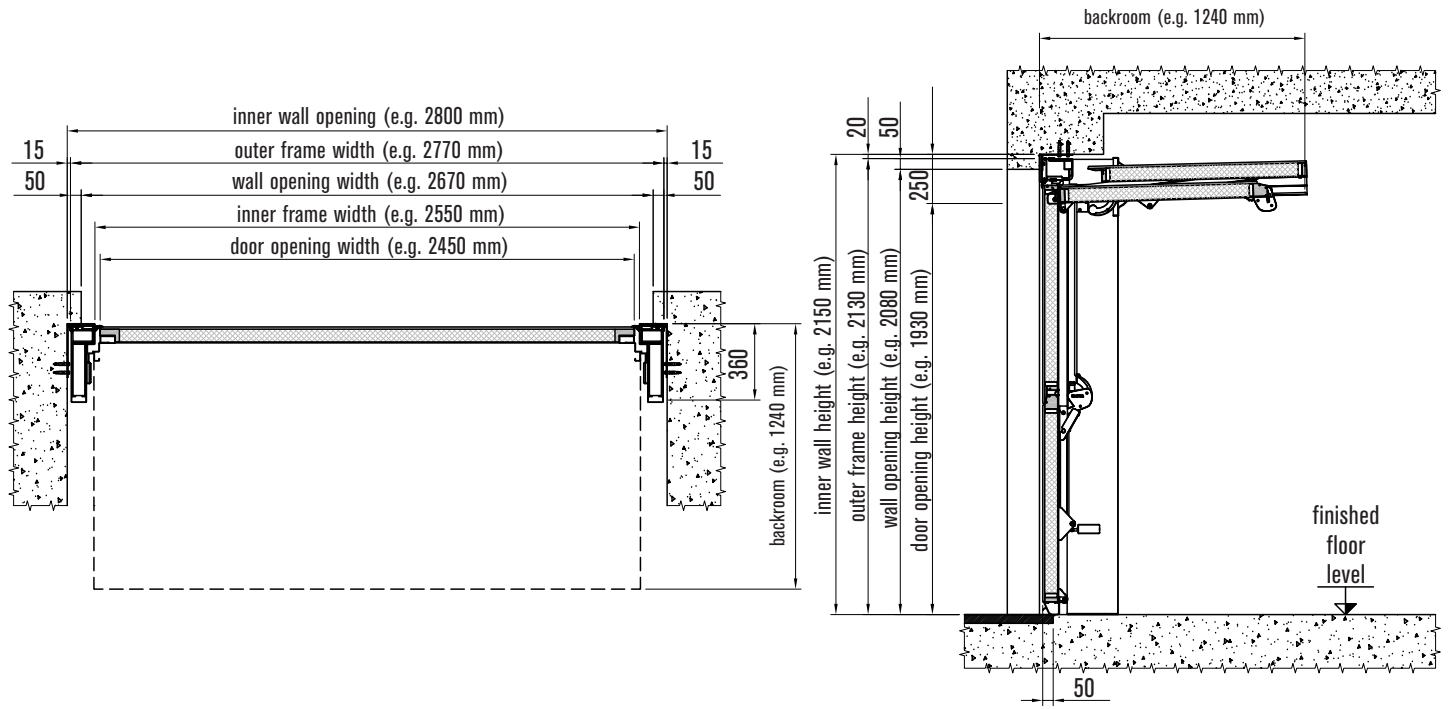


Tubular partially on top of the frame



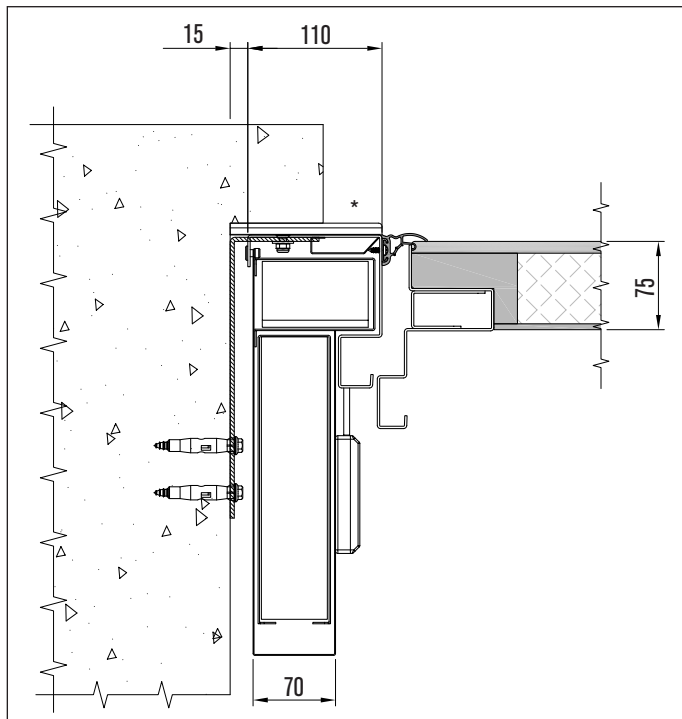
**INSTALLATION TYPES**

**PARTIALLY BETWEEN WALL installation**

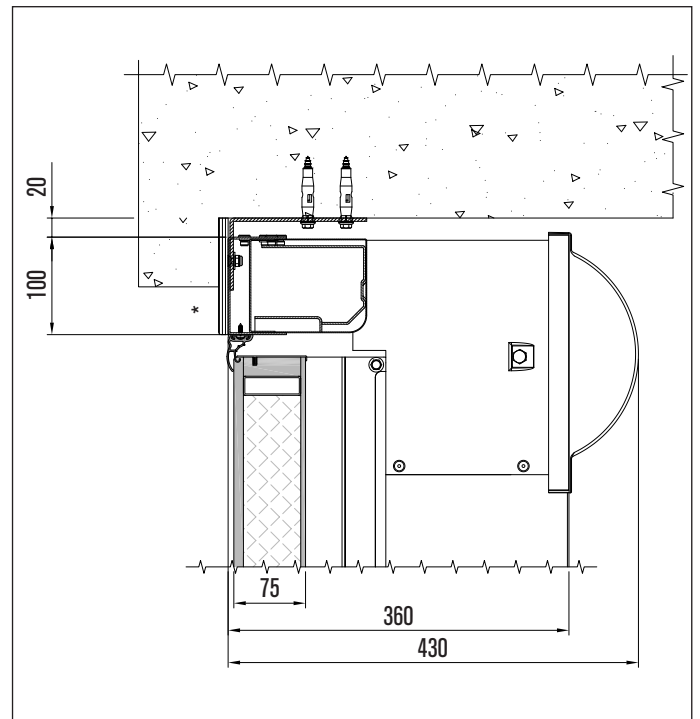


**Fixing detail of PARTIALLY BETWEEN WALL installation**

Horizontal section



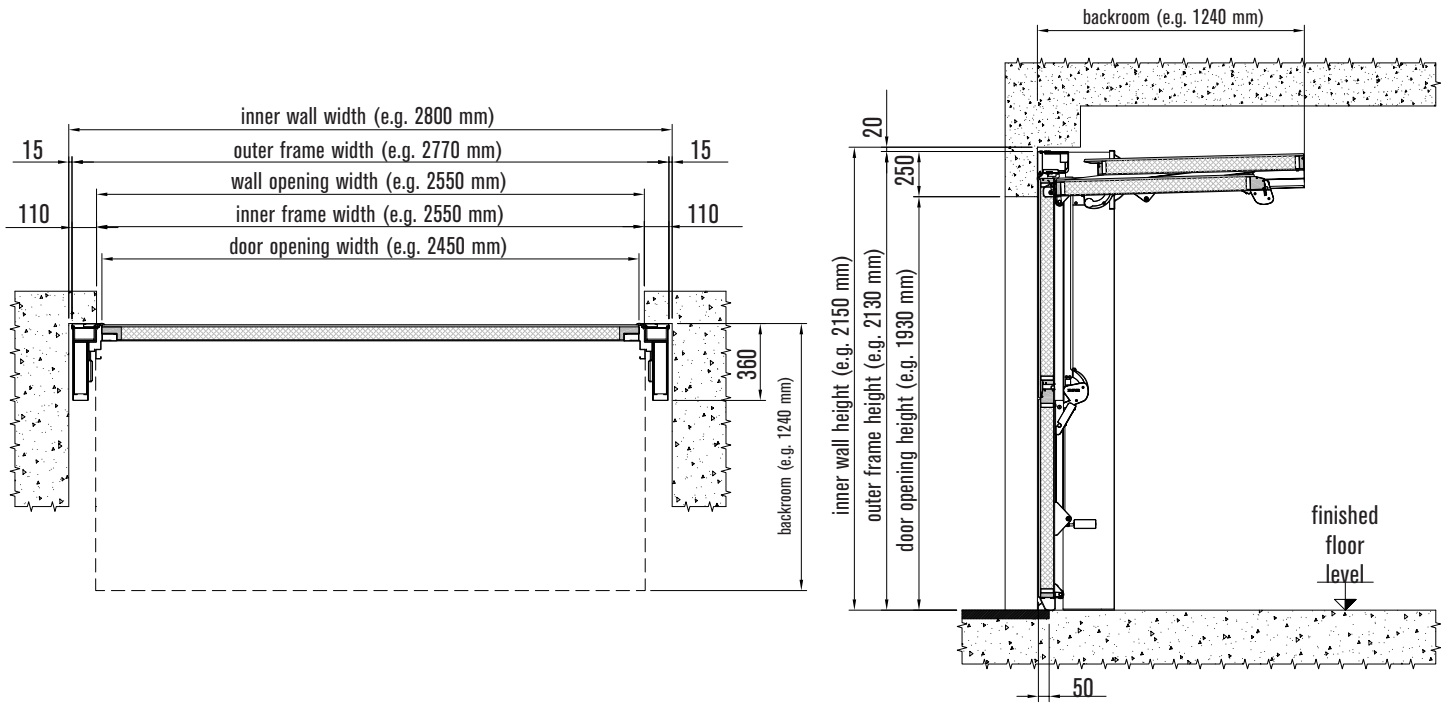
Vertical section



\* External wooden fascia boards available as accessory on page 13 to be requested when ordering the door

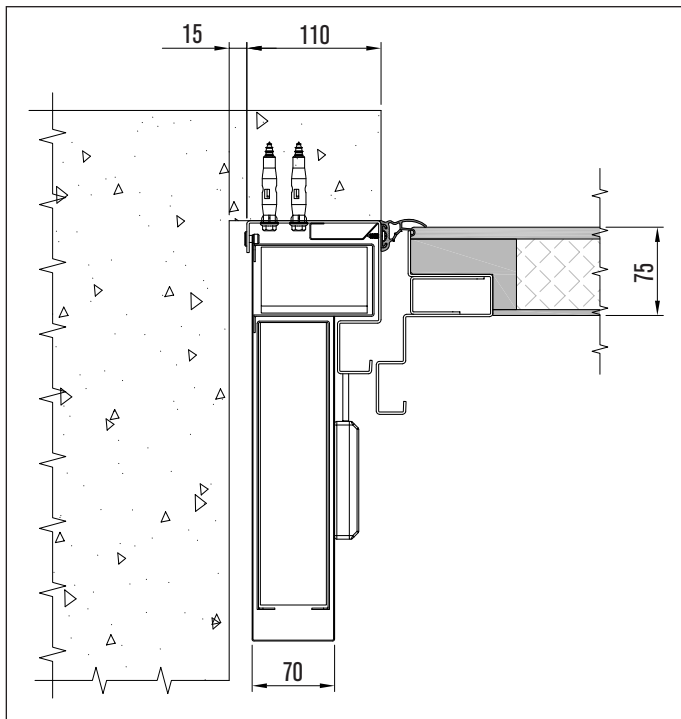
# INSTALLATION TYPES

## BEHIND WALL installation

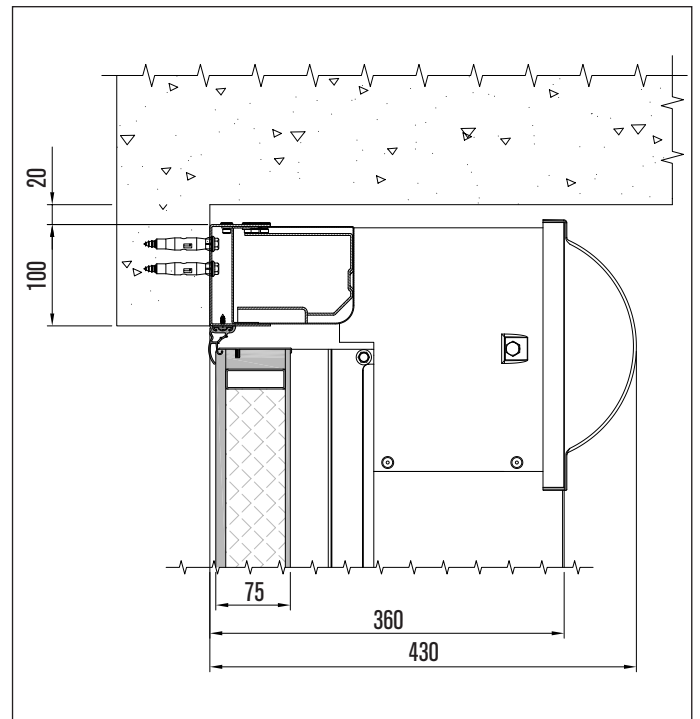


## Fixing detail of BEHIND WALL installation

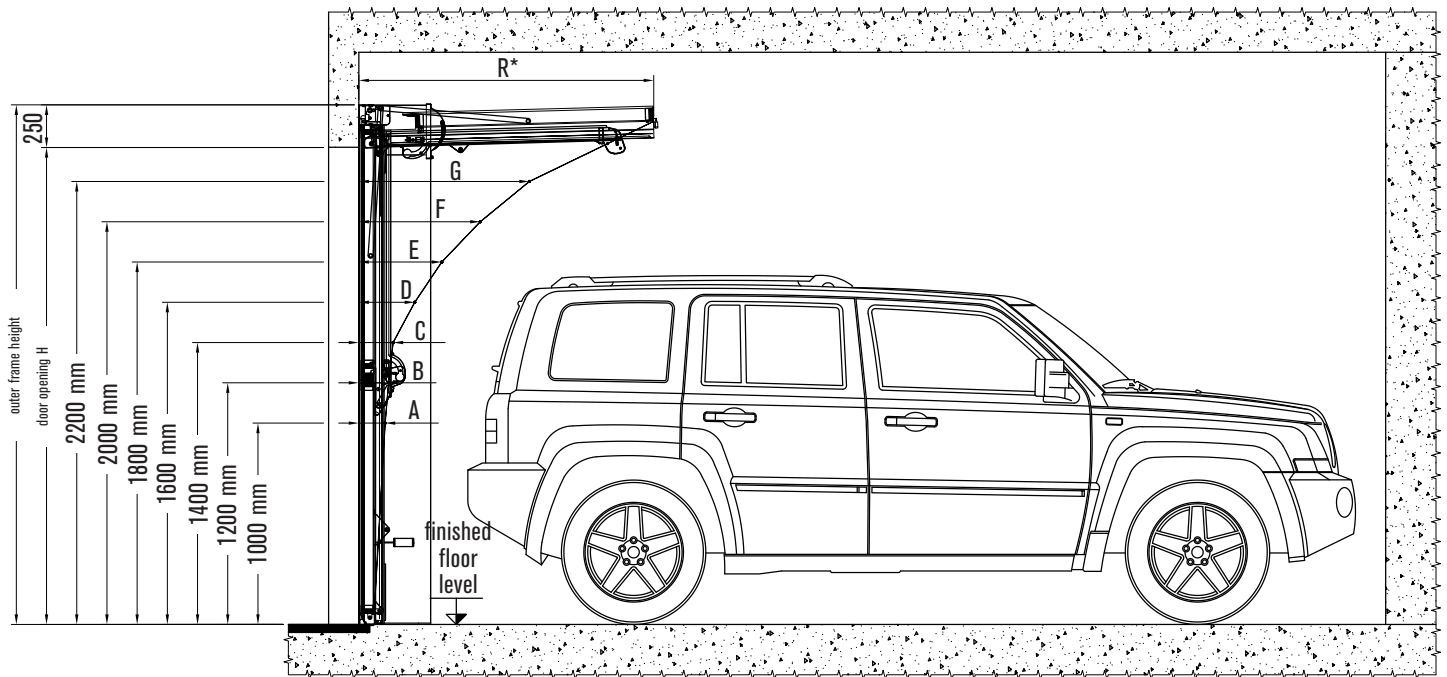
Horizontal section



Vertical section



## DOOR CLEARANCE DIMENSIONS



H outer frame	H door opening	A H 1000	B H 1200	C H 1400	D H 1600	E H 1800	F H 2000	G H 2200	R*
1980	1730	159	244	394	602	924	/	/	1165
2030	1780	156	227	369	564	858	/	/	1190
2080	1830	152	211	344	525	791	/	/	1215
2130	1880	149	194	319	487	725	/	/	1240
2180	1930	147	186	300	460	685	/	/	1265
2230	1980	145	177	281	432	646	/	/	1290
2280	2030	142	169	261	405	606	/	/	1315
2330	2080	140	160	242	377	566	776	/	1340
2380	2130	138	158	227	357	536	741	/	1365
2430	2180	137	155	213	338	505	706	/	1390
2480	2230	135	153	198	318	475	670	/	1415
2530	2280	133	150	183	298	444	635	896	1440
2580	2330	131	148	170	278	412	603	847	1464
2630	2380	130	147	168	272	405	590	820	1515
2680	2430	129	146	166	267	399	577	793	1565
2730	2480	128	144	165	262	394	564	766	1614
2780	2530	127	143	163	257	388	551	739	1664
2830	2580	127	142	162	253	383	539	726	1714
2880	2630	126	141	160	249	377	527	714	1764
2930	2680	126	140	159	245	372	514	701	1814
2980	2730	125	139	157	241	366	502	688	1864

Measures in mm

\* Quota R in the middle of the belt hinging increases for about 60mm



## **The Garage Door Centre Ltd**

6-8 Meadow Close, Finedon Road, Wellingborough,  
Northamptonshire, NN8 4BH.

**Tel:** 01933 274 442

**Email:** [enquiries@thegaragedoorcentre.co.uk](mailto:enquiries@thegaragedoorcentre.co.uk)