

Premium quality
Made in Germany



weinor Livona/LED

weinor Livona with roof/LED/Valance Plus |
weinor Livona without roof/LED/Valance Plus |
weinor Livona MiniMax with/without roof

www.weinor.com

Relax al Fresco |





Contents

| | | | |
|-----------------------------------|----|------------------------|----|
| Product highlights | 4 | Somfy radio technology | 14 |
| Awning fabrics | 7 | weinor hard wired | 17 |
| Frame colours | 7 | Tempura heating system | 21 |
| Stable OptiNut roller | 8 | Planning/measuring | 22 |
| weinor Livona option Valance Plus | 9 | weinor roller support | 23 |
| weinor Livona LED | 11 | Cross-sections | 24 |
| BiConnect remote control | 12 | Installation options | 26 |
| | | Extraction forces | 30 |

weinor Livona: puristic and innovative –
the open awning that creates atmospheric
textile living



The weinor Livona open awning shows more fabric than ever. The basis of the puristic, minimalist design is intelligent technology: an almost invisible carrier bar and particularly slim front profile. Up to a width of 6 metres the weinor Livona needs only two fixing brackets for a floating appearance. On the LED version of the weinor Livona, the unique light rings on each end of the awning and the slim LED light bar emit a fascinating and warm LED light. The weinor Livona is available with or without the protective aluminium roof an in a wide range of options.

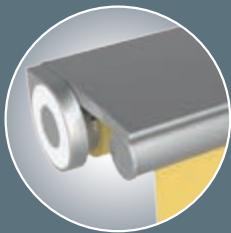
weinor Livona highlights



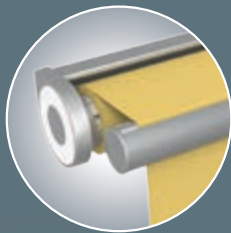
47 frame colours and 9 trend colours



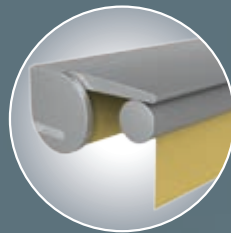
10-year warranty on LongLife arm



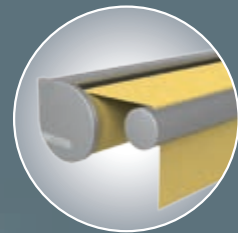
weinor Livona with roof and LED



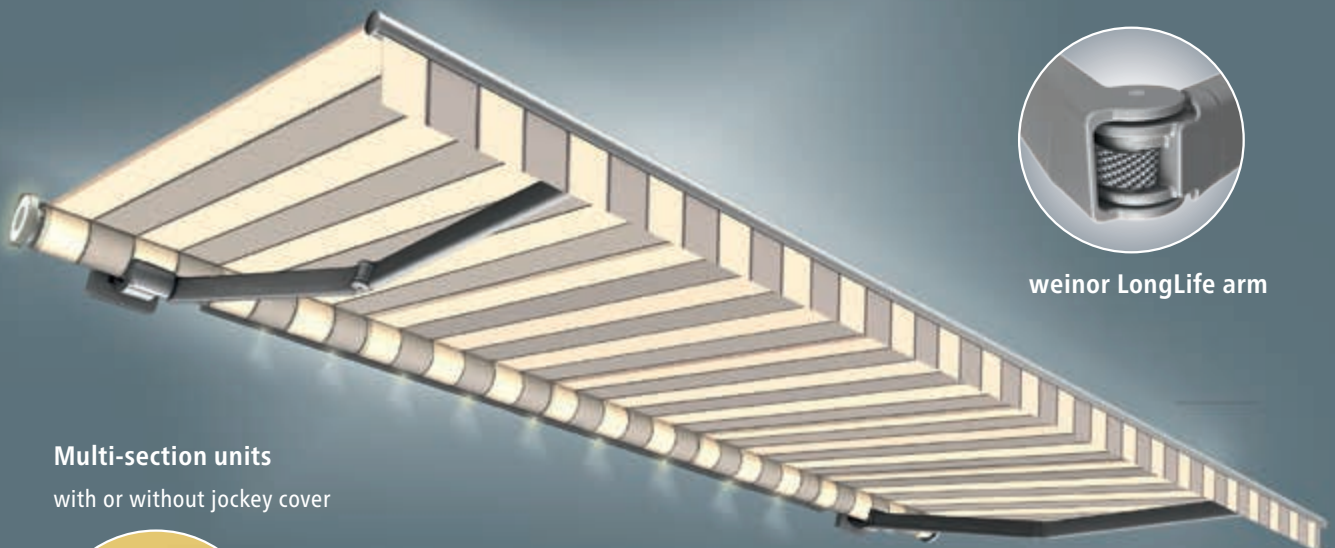
weinor Livona without roof and LED



weinor Livona with roof

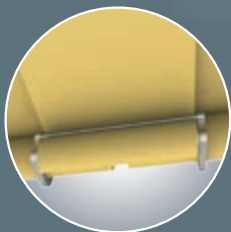


weinor Livona without roof



weinor LongLife arm

Multi-section units with or without jockey cover



Designs to suit every need

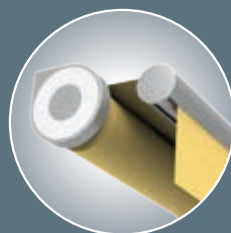
Valance Plus



MiniMax

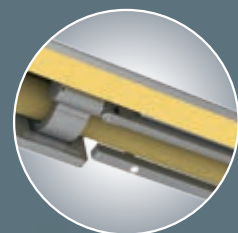


Invisible carrier bar and pure design: weinor Livona LED



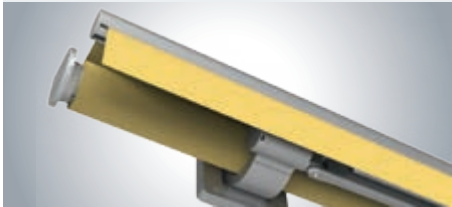
LED light package

- 2 light ring LED
- light bar LED Slim



Product benefits in detail

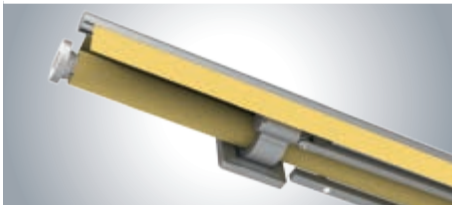
Puristic design and textile optic – the highlights of weinor Livona



Pure awning – invisible carrier bar and slim front profile

Technically and optically, the weinor Livona is "state-of-the-art" awning design. Your steel carrier bar tucked away virtually out of sight behind the fabric roller bearing. For a free view of a lot of fabric.

- ultra-slim front profile
- only 2 brackets are required (up to a width of 600 cm)
- suitable for larger widths and projections
- elegant aluminium side caps
- standard valance straight, height 12 cm



Warm white LED light – for atmospheric lighting

weinor Livona LED offers an innovative light package with warm white LED lighting. This always includes a combination of 2 LED light rings and the ultra-slim LED Slim light bar.

- 2 atmospheric LED light rings on the side cover plates
- LED Slim light bar integrated in the awning design (up to 600 cm width) available*
- with continuous BiConnect dimmability

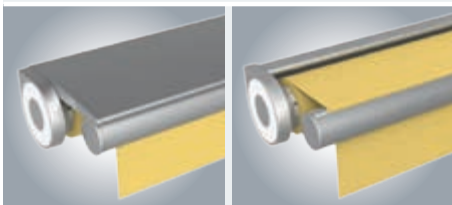


weinor LongLife arm – resilient and durable

The LongLife arm features an exceptionally robust high-tech belt.

- tested to more than 100,000 cycles
- extremely quiet operation

- no maintenance required
- die-forged aluminium in joint – light but highly robust

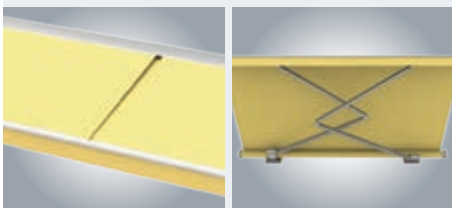


weinor Livona – multiple versions suitable for most applications

With a large range of versions, the weinor Livona meets every requirement.

- installation on walls, ceilings and rafters is possible
- for flat wall installations: elegant aluminium roof
- for covered/protected installations: open awning

- for wider applications: 2-section systems up to 1,200 m: with jockey cover or continuous fabric (roller support)
- for more projection than width: MiniMax (up to 400 cm projection)
- for privacy and glare protection: Vertical sun protection Valance Plus



* producibility up to 600 cm at the time of going to print

- standard
- optional
- unavailable

weinor Livona versions

| | weinor Livona with/without roof | weinor Livona LED with/without roof | weinor Livona MiniMax without roof/ with roof |
|---|---|--|---|
| Max. width, 1-part/2-part with jockey cover | 700 cm/1,200 cm | 600 cm | 500 cm |
| Max. projection | 400 cm | 400 cm | 400 cm (from a width of just 235 cm) |
| Standard Valance straight, height | 12 cm | 12 cm | 25 cm (with filling finish band) |
| Side dimensions (W x H), incl. bracket | with roof: 282 x 190 mm without roof: 275 x 190 mm | | with roof: 282 x 283 mm without roof: 275 x 283 mm |
| Coupled systems | ○ | — | — |
| Motor drive | ● as standard | ● as standard | ● as standard |
| Gear drive | ○ | ○ | ○ |
| Angle of pitch on awning | 5° to 20° | 5° to 20° | 5° to 15° |
| Installation options | can be installed on walls, ceilings and rafters | | |
| Light package LED: 2 light rings LED, light bar LED Slim | — | ● | — |
| Valance Plus option | | | |
| Max. width | 500 cm/600 cm | 500 cm/600 cm | — |
| Max. projection | 350 cm/300 cm | 350 cm/300 cm | — |
| Side dimensions (W x H) | 313 x 190 mm | | — |
| Motor drive (only possible if primarily motor-driven) | ● | ● | — |
| Gear drive | ○ | ○ | — |
| Angle of pitch on awning | 5° to 20° | 5° to 20° | — |
| Valance Plus projection (H) | 100 cm, 150 cm, 210 cm | | — |
| Design | | | |
| 47 standard frame colours | ● | ● | ● |
| Over 150 other RAL colours | ○ | ○ | ○ |
| 9 trend colours | ● | ● | ● |
| Other textured colours | ○ | ○ | ○ |
| weinor fabric collection | ● | ● | ● |
| Valance Plus fabrics | for special fabrics for vertical sun protection, see p. 7 | | — |
| Accessories | | | |
| Tempura Universal heating system | ○ | ○ | ○ |
| BiSens Agido-3V product protection sensor | ○ | ○ | ○ |
| Controls | | | |
| Remote control (see page 12) | ○ | ○ | ○ |
| No remote | ● | ● | ● |
| Quality | | | |
| Tested up to | wind force 5 on the Beaufort scale and wind resistance class 2 according to DIN 13561 | | |



Fabrics – attractive, brilliant long-lasting colours

A high-quality fabric is the basis of a beautiful awning. The 'colours by weinor®' collection and the Perluca climate-control fabrics offer an extensive choice.

- solution-dyed to make them colour-fast
- stay beautiful thanks to dirt- and water-repellant nano-coating
- optional: wide range of collections by other manufacturers



Fabric collections
155 patterns

- high-quality acrylic
 - proven for decades
 - fabric width: 120 cm/240 cm
- innovative polyester quality
 - high-stretch with memory effect®
 - fabric width: 120 cm



Air-permeable acrylic
fabrics, 5 patterns

- perforated acrylic
- translucent, breathable climate-control fabric for Valance Plus
- unit width: 120 cm/240 cm



High-tech climate-control fabrics
10 patterns

- translucent, breathable climate-control fabric for Valance Plus
- unit width: 177 cm (Soltis® 86, 92)
- extra-wide: 267 cm (Soltis® 86, 92)



Wide range of frame colours – abundance of choices

weinor coats all of its products in its own workshop. This ensures that they have the best-possible colour tonality and identical gloss levels.

- 47 standard RAL frame colours, silk gloss (gloss level 70 ± 5% when measured at a 60° angle)
- 9 scratchproof, resistant trend colours with a textured look
- over 150 special RAL colours

47 standard frame colours

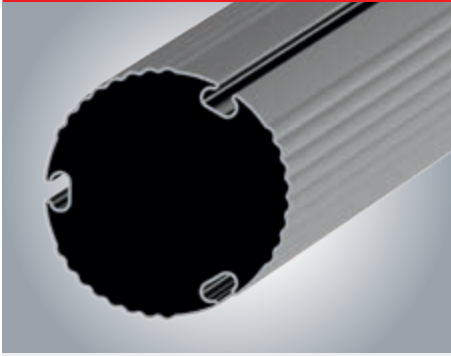
| | | | | | | | | |
|----------------------------|-----------------------------|------------------------|-------------------------|----------------------------------|----------------------------|---------------------------|-----------------------------|----------------------------|
| | | | | | | | | |
| RAL 1002 Sandy yellow | RAL 1003 Signal yellow | RAL 1014 Ivory | RAL 1015 Light ivory | RAL 1023 Traffic yellow | RAL 1034 Pastel yellow | RAL 2000 Yellow orange | RAL 2002 Vermilion | RAL 2011 Deep orange |
| | | | | | | | | |
| RAL 3002 Carmine red | RAL 3004 Magenta red | RAL 3007 Black red | RAL 4005 Blue lilac | RAL 4006 Traffic purple | RAL 5005 Signal blue | RAL 5009 Azure blue | RAL 5014 Pigeon blue | RAL 5021 Water blue |
| | | | | | | | | |
| RAL 5022 Night blue | RAL 5024 Pastel blue | RAL 6005 Moss green | RAL 6009 Fir green | RAL 6011 Reseda green | RAL 6012 Black green | RAL 7015 Slate grey | RAL 7016 Anthracite grey | RAL 7021 Black grey |
| | | | | | | | | |
| RAL 7030 Stone grey | RAL 7032 Pebble grey | RAL 7035 Light grey | RAL 7039 Quartz grey | RAL 7040 Window grey | weinor 7319 weinor grey | RAL 8001 Ochre brown | RAL 8003 Clay brown | RAL 8014 Sepia brown |
| | | | | | | | | |
| RAL 8016 Mahogany brown | RAL 8017 Chocolate brown | RAL 8019 Grey brown | RAL 8022 Black brown | weinor 8077 weinor dark brown | RAL 9001 Cream | RAL 9005 Jet black | RAL 9006 White aluminium | RAL 9007 Grey aluminium |
| | | | | | | | | |
| RAL 9010 Pure white | RAL 9016 Traffic white | | | | | | | |

9 trend colours

| | | | | | | | | |
|---------------------------------|--|-------------------------------------|--------------------------------------|---------------------------------|--|---------------------------------------|--|--|
| | | | | | | | | |
| WT 29/10797 Approx. RAL 9010 | WT 29/50704 Approx. RAL 6009 metallic | WT 29/60740 Chestnut 04 metallic | WT 29/70786 Sparkling iron effect | WT 29/71289 Approx. RAL 7016 | WT 29/80077 Approx. DB 703 metallic | WT 29/80081 Iron glimmer effect P7 | WT 29/90146 Approx. RAL 9006 metallic | WT 29/90147 Approx. RAL 9007 metallic |

weinor is an eco-friendly company. To ensure compliance with high environmental standards, manufacturing processes and materials undergo regular testing by experts.

As a result of the ban on the use of heavy metals in powder coatings, paint manufacturers can no longer guarantee colour stability despite making every effort to do so. It therefore cannot be excluded that colours in general, and Fire Red (RAL 3000) in particular, may fade with time. For technical reasons, the colours may appear significantly different when printed.

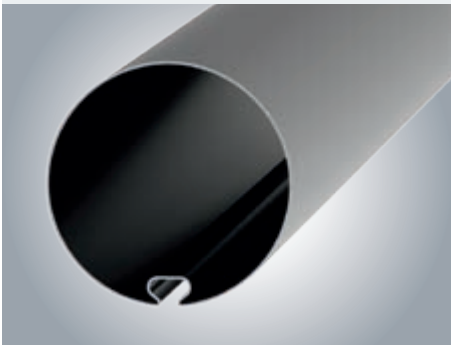


Fabric rests in a central position as it winds, 'reducing wrinkling

weinor innovation

weinor's new Opti grooved tube in the fabric roller turns particularly smoothly. This optimisation cuts down on creasing and ensures that the fabric looks fantastic.

- centrally positioned motor; fabric winds evenly on smooth-running roller
- regularly spaced grooves for the piped border
- fabric roller with minimised sag



Conventional solution

Conventional grooved tubes simply have an indentation to hold the piping. The motor rests off-centre in the tube. This means that the fabric roller bearing does not turn smoothly – the fabric is rolled up rather more unevenly.



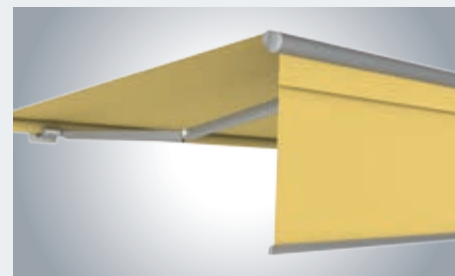
Valance Plus – more privacy thanks to optional vertical protection against the sun and prying eyes

The motorised or crank-operated vertical awning fits elegantly into the awning’s drop profile.

- glare protection and privacy shield up to a maximum valance height of 210 cm
- extends to any length
- awning can be set to any angle from 5° to 20°
- Valance Plus cannot be retrofitted
- Valance Plus with motor is only possible if the awning is motor-driven

Maximum awning size for Valance Plus

| | | | |
|-------|--------|------------|--------|
| Width | 500 cm | Projection | 350 cm |
| Width | 600 cm | Projection | 300 cm |



Topas Valance Plus – closed and with Valance Plus slightly extended

Available fabrics for the Valance Plus

| | Soltis® 86, 92 | Soltis® 86, 92 | Acrylic | | | Perluca | | WeiTex polyester | |
|----------------|-------------------------|-------------------------|-------------------|-------------------------|-------------------------|-------------------------|-------------------------|-------------------|-------------------------|
| Fabric width | single colour 177 cm | single colour 267 cm | striped 120 cm | single colour 120 cm | single colour 240 cm | single colour 120 cm | single colour 240 cm | striped 120 cm | single colour 120 cm |
| Valance length | 177 cm | 267 cm | 120 cm | 120 cm | 240 cm | 120 cm | 240 cm | 120 cm | 120 cm |
| 100 cm | N | N | T | S/L | N | S/L | N | S/L | N |
| 150 cm | N | N | – | T | N | T | N | – | T |
| 210 cm | T | N | – | T | N | T | N | – | T |

- S seamless: seamless fabric; structure of fabric runs crosswise to structure of awning fabric
- Q transverse seam: fabric with transverse seam; either in top or bottom third as desired; structure of fabric runs crosswise to structure of awning fabric; only possible as unicolour fabrics
- L longitudinal seam: structure of fabric runs longitudinally to structure of awning fabric
- not available



Patented weinor Opti-Flow-System®

to keep fabric perfectly positioned on Valance Plus roller

The patented weinor Opti-Flow-System® ensures that the front rail closes reliably, even when the fabric is wide and the fabric roller is small.

Conventional holder

In this case, the fabric roller is not supported from side to side.

The result:

- the fabric is not ideally positioned
- dirt gathers on the fabric over time due to the central position of the support

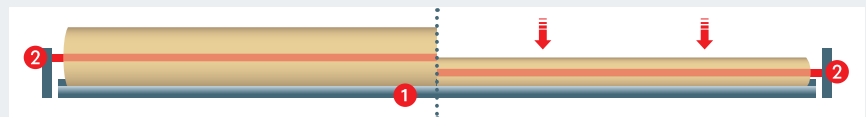
weinor Opti-Flow-System®

Here, the fabric roller rests unattached on the glide profile: the entire width of the fabric is supported and cannot sag.

The advantage:

- the fabric positioning is ideal even for wide fabrics
- specially coated glide profile means the fabric enjoys long-term protection

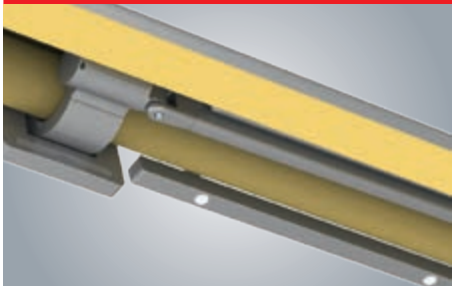
Advantages of the fabric roller support



Fabric roller is unrolled: the glide profile (1) supports the fabric roller along its entire length and thus effectively prevents sagging.

Fabric roller is rolled up: the fabric roller steadily rolls into its holder (2). The glide profile continues to provide support along its entire length.





Spectacular lighting effects with the LED light package: 2 LED light rings and LED Slim light bar

The LED Slim light bar, designed specially for the weinor Livona is positioned inconspicuously behind the fabric roller bearing. They are flush integrated between the brackets.

- light bar LED Slim always in combination with 2 LED light rings on the headplates
- the LED Slim light bar is always positioned between the brackets

- LED Slim light bar integrated in the awning design (up to 600 cm width) available*
- lighting remains on even when awning is retracted
- with continuous BiConnect dimmability
- 30,000 hours of lighting with minimal energy consumption



LED Slim light bar

| Awning width | Number of separate LED spotlights |
|--------------|-----------------------------------|
| 203 – 250 | 2 – 3 |
| 251 – 300 | 3 – 4 |
| 301 – 350 | 3 – 5 |
| 351 – 400 | 4 – 6 |

| Awning width | Number of separate LED spotlights |
|--------------|-----------------------------------|
| 401 – 450 | 5 – 7 |
| 451 – 500 | 6 – 8 |
| 501 – 550 | 7 – 8 |
| 551 – 600 | 8 – 9 |

Dimensions of LED Slim light bar:
Awning width up to 500 cm: unit dimension minus 84 cm (2 x 42 cm).

Width from 501 cm to 600 cm:
Unit dimensions minus 120 cm (2 x 60 cm) (this also applies to the use of the 395 cm wall bracket).





BiEasy 1M

BiEasy 5M



BiEasy 15M with display

BiEasy App

weinor BiConnect – control for awning, light and heating

The weinor Livona comes as standard with one motor and can optionally be controlled with the pre-programmed BiEasy remote control.

There are hand transmitters with different numbers of channels: choose from 1, 5 or 15 channels with a display.



weinor BiEasy hand transmitter

- operationally safe thanks to protected transmission frequency (868 MHz)
- attractive and convenient design

BiRec Remote receiver

- various remote-controlled receivers depending on function combinations
- to suit awning fittings – e.g. to extend and retract the awning or dim the lights

Sun and Sun-Wind sensors – automatic heat and product protection (option)

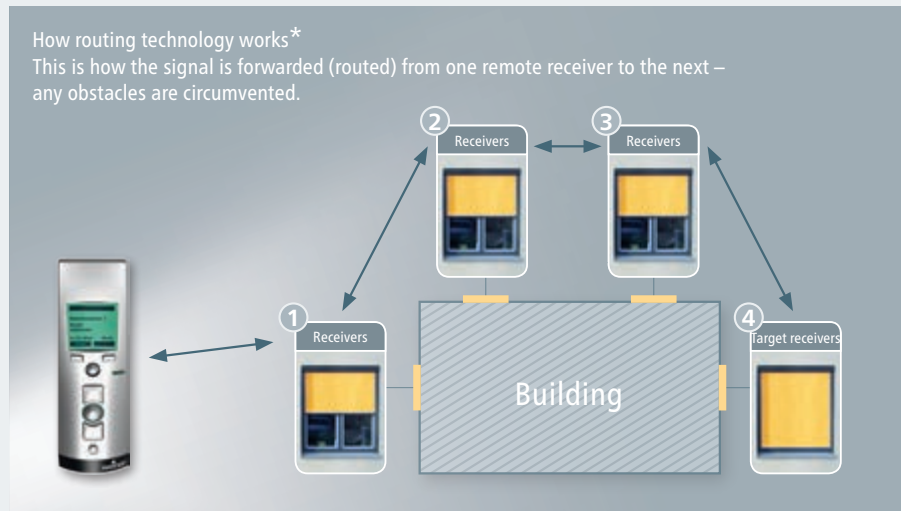
The BiConnect series remote sensors automatically extend the awning when the sun shines and reliably retract it in case of wind or cloud.

BiEasy APP

Please see technical brochure "Accessories" for further information.

State-of-the-art routing technology:

The new BiConnect radio control transmits bidirectional signals and is very reliable thanks to its ultra-modern routing technology. In this case, the BiEasy handheld transmitter sends a radio signal to an active receiver within its range. The signal is then forwarded from one receiver to the next until it reaches the target receiver – and all this occurs in a matter of seconds.



* Very simplified illustration

↔ = Routing signal and feedback signal



Receiver box Slim

- is positioned inconspicuously on the carrier bar or on the roof of the awning

In case of wall or rafter mounting with the LED Slim locking bar:

10 cm (from the outer edge of the awning to the outer edge of the receiver box)

In case of roof mounting with the LED Slim locking bar: the receiver box is always indented as far as the light bar. In this connection, the receiver box is provided with a cover plate (see page 28)

- dimensions of the receiver box: W/H/D: 47 cm/3.8 cm/6 cm

Product protection sensor Agido-3V



Agido-3V

Retracts awning when vibrations and movement are detected. Battery supply (2 x 1.5 V; type AAA), no wiring.

BiSens Sensors



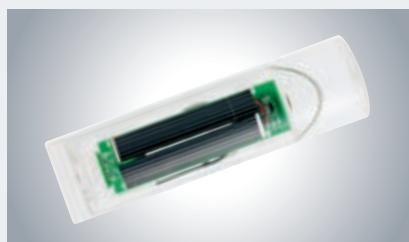
BiSens SW-230 V

Sun, wind sensor with power connection



BiSens SW-Solar

Sun and wind sensor with solar operation (not suitable for units used as privacy protection)



BiSens SUN-Solar

Sun sensor solar operation



BiSens SWR-230 V

Sun-Wind-Rain combination sensor

| Product | Comes with (integrated) | | Remote receiver | Hand transmitter |
|--------------------------------|----------------------------|-------------------------------------|--|------------------|
| weinor Livona | awning motor | | integrated in the remote-controlled motor | BiEasy 1M/5M/15M |
| | | + Tempura Universal* heating system | BiRec HD | BiEasy 5M/15M |
| weinor Livona LED | awning motor | | | |
| | + LED Slim light bar | | BiRec MLED | BiEasy 5M/15M |
| | + LED Slim light bar | + Tempura Universal* heating system | BiRec MLED + BiRec HD | BiEasy 5M/15M |
| weinor Livona Valance Plus | awning motor; Valance Plus | | integrated in remote-controlled motor (main operation) integrated in remote-controlled motor (Valance Plus) | BiEasy 5M/15M |
| weinor Livona LED Valance Plus | awning motor; Valance Plus | | | |
| | + LED Slim light bar | | BiRec MVLED | BiEasy 5M/15M |
| | + LED Slim light bar | + Tempura Universal* heating system | BiRec MVLED + BiRec HD | BiEasy 5M/15M |

* option



BiRec receiver MLED

Integrated remote receiver for motor and LED control

| Product | BiConnect |
|------------------------------|---|
| weinor Livona main operation | no additional receiver required (integrated in the motor receiver) |
| LED Slim light bar | dimnable, combi-receiver for main operation and LED with integrated power supply pack, accommodation in receiver box Slim |
| Valance Plus option | <ul style="list-style-type: none"> • no additional receiver required • gradual switch-off • retraction protection (only with weinor Livona LED Valance Plus) • no retraction protection with weinor Livona Valance Plus |
| Option Tempura heating | <ul style="list-style-type: none"> • dimmable, additional receiver required • accommodation of the receiver in the design bar provided for this purpose (see page 21) |



Telis 1
RTS Pure

Telis 4
RTS Pure

Telis Soliris
RTS Pure

Telis 4 Soliris
RTS Pure

Somfy RTS

Alternatively, the weinor Livona can also be controlled with Somfy RTS.

Somfy RTS

Since RTS works unidirectionally, no feedback is given on the status of the units. The radio control system runs on a frequency of 433.42 MHz.

Wall transmitter:



Smoove 1 RTS
Pure Shine

Chronis RTS smart

Radio control

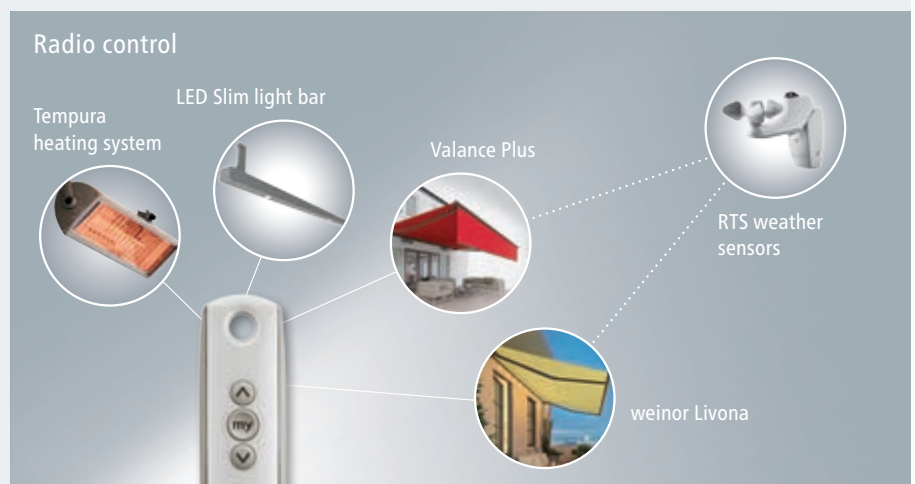
Tempura heating system

LED Slim light bar

Valance Plus

RTS weather sensors

weinor Livona





Receiver box Slim

- is positioned inconspicuously on the support pipe or on the roof of the awning

In case of wall or rafter mounting with the LED Slim locking bar:

10 cm (from the outer edge of the awning to the outer edge of the receiver box)

In case of roof mounting with the LED Slim locking bar:

the receiver box is always indented as far as the light bar. In this connection, the receiver box is provided with a cover plate (see page 28)

- dimensions of the receiver box: W/H/D: 47 cm/3.8 cm/6 cm

Somfy radio wind sensor Eolis 3D-WireFree-RTS



Somfy radio wind sensor Eolis 3D-WireFree-RTS

Retracts awning when vibrations and movement are detected. Battery supply (2 x 1.5 V; type AAA), no wiring.

Somfy RTS sensors



Eolis Sensor RTS

Radio wind sensor with power connection



Soliris Sensor RTS

Radio wind and sun sensor with power connection

| Product | Comes with (integrated) | Remote receiver | Hand transmitter |
|--------------------------------|-------------------------------------|--|---|
| weinor Livona | awning motor | integrated in remote-controlled motor | Telis 1 RTS Pure/Telis 1 Soliris RTS Pure/Smooove 1 |
| | + Tempura Universal* heating system | heating Slim Receiver RTS Plug | Telis 4 RTS Pure/Telis 4 Soliris RTS Pure |
| weinor Livona LED | awning motor | integrated in remote-controlled motor | |
| | + LED Slim light bar | lighting: Slim Receiver RTS | Telis 4 RTS Pure/Telis 4 Soliris RTS Pure |
| weinor Livona Valance Plus | awning motor; Valance Plus* | integrated in remote-controlled motor; Universal Receiver RTS Plug | Telis 4 RTS Pure/Telis 4 Soliris RTS Pure |
| | + LED Slim light bar | heating Slim Receiver RTS Plug | Telis 4 RTS Pure/Telis 4 Soliris RTS Pure |
| weinor Livona LED Valance Plus | awning motor; Valance Plus* | integrated in remote-controlled motor; Universal Receiver RTS Plug | Telis 4 RTS Pure/Telis 4 Soliris RTS Pure |
| | + LED Slim light bar | lighting: Slim Receiver RTS | Telis 4 RTS Pure/Telis 4 Soliris RTS Pure |

* option



Somfy Lighting Slim Receiver RTS (for LED)
Remote receiver for LED control

| Product | Somfy RTS |
|------------------------------|--|
| weinor Livona main operation | receiver integrated into motor |
| LED Slim light bar | <ul style="list-style-type: none"> • not dimmable • additional receiver external lighting Slim receiver RTS (with downstream power supply pack) • accommodation in Slim receiver box |
| Valance Plus option | <ul style="list-style-type: none"> • additional receiver external Universal Slim Receiver RTS Plug • accommodation in second Slim receiver box • no retraction protection |
| Option Tempura heating | <ul style="list-style-type: none"> • additional receiver external Heating Slim Receiver RTS Plug • accommodation of the receiver in the additional design bar (see p.21) • not dimmable |

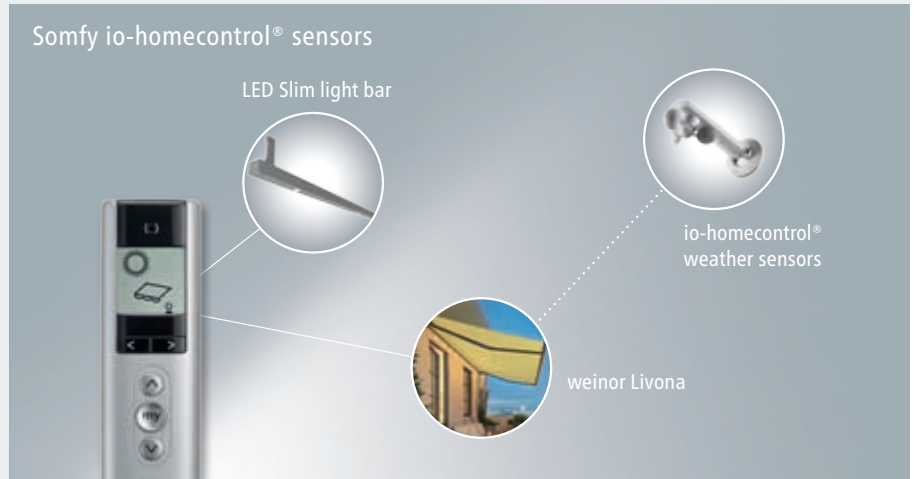


Situo Mobile io Silver Mat Easy Sun io Silver Mat Smoove 1 io Pure Shine

Somfy io-homecontrol®

io-homecontrol® allows every convenience and security feature to be combined into one network and be controlled using a single remote

transmitter. The expandable system can also incorporate any new products that are added.



Somfy radio wind sensor Eolis 3D-WireFree io



Retracts awning when vibrations and movement are detected. Battery supply (2 x 1.5 V; type AAA), no wiring.

Somfy io-homecontrol® sensors



Eolis WireFree io
Radio wind sensor:



Sunis WireFree io
Radio sun sensor **Sensor Box io**
Communication unit

| Product | Comes with (integrated) | Remote receiver, | Hand transmitter |
|--------------------------|-------------------------|---|---|
| weinor Livona | awning motor | integrated in the remote-controlled motor | Situo Mobile io Silver Mat/Smoove 1 io Pure Shine |
| weinor Livona LED | + LED Slim light bar | lighting Receiver io | Easy Sun io Silver Mat |



Somfy io homecontrol® receiver
Lighting receiver on/off io

Installation location Somfy Lighting Receiver io

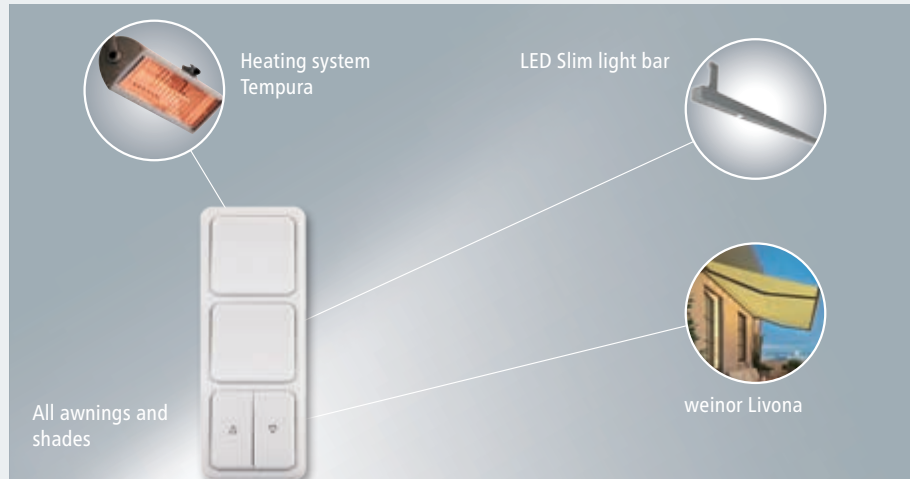
The Somfy receiver is accommodated in the Slim receiver box (see page 17).

| Product | Somfy io-homecontrol® |
|-------------------------------------|---|
| weinor Livona main operation | receiver integrated into motor |
| LED Slim light bar | <ul style="list-style-type: none"> • not dimmable • additional receiver external lighting receiver io (with downstream power supply pack) • accommodation in Slim receiver box |
| Valance Plus option | unavailable |
| Option Tempura heating | unavailable |



Hard wired

A hard wired control makes sense in the case of existing power cables or sources of interference for radio control.



| Product | weiner hard wired (commutator/local switch control) |
|------------------------------|---|
| weiner Livona main operation | <ul style="list-style-type: none"> • no receiver required • local switch control |
| LED Slim light bar | <ul style="list-style-type: none"> • not dimmable • with switched power supply pack (power supply pack is included in the delivery) • local switch control |
| Valance Plus option | <ul style="list-style-type: none"> • no retraction protection • local switch control |
| Option Tempura heating | <ul style="list-style-type: none"> • not dimmable • local switch control |



Power supply pack for option LED

Power supply pack for option LED (hard wired)

The power supply pack provides the voltage and current intensity required to operate the LED. It is only necessary for the LED option.



Receiver box Slim

- is positioned inconspicuously on the support pipe or on the roof of the awning

In case of wall or rafter mounting with the LED Slim locking bar:
10 cm (from the outer edge of the awning to the outer edge of the receiver box)

In case of roof mounting with the LED Slim locking bar: the receiver box is always indented as far as the light bar. In this connection, the receiver box is provided with a cover plate (see page 28)

- dimensions of the receiver box: W/H/D: 47 cm/3.8 cm/6 cm

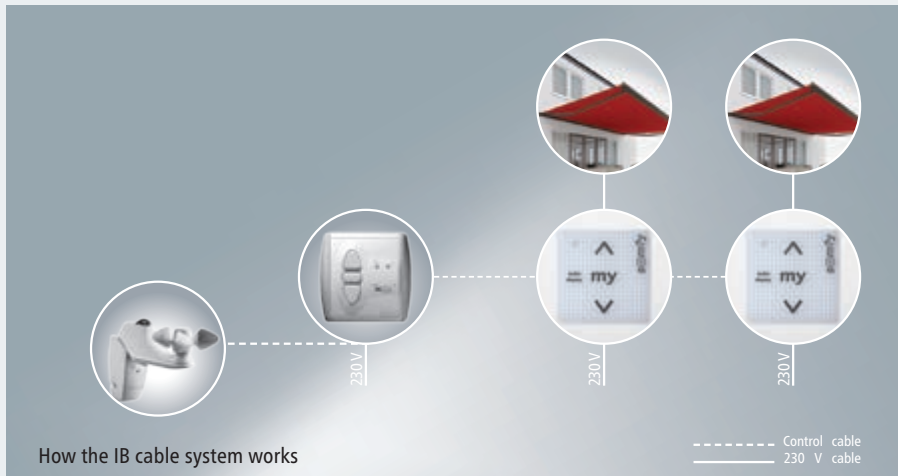


Control unit +
Sensor Uno/IB



Smoove Uno IB +
Pure Shine

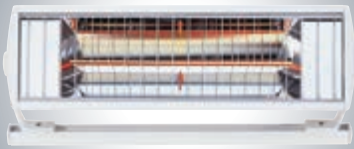
For the hard wired version, a Somfy switch and sun/wind sensor can be supplied with the awning.



| Product | weinor firmly wired with Somfy control |
|------------------------------|---|
| weinor Livona main operation | <ul style="list-style-type: none"> • no receiver required |
| LED Slim light bar | <ul style="list-style-type: none"> • not dimmable • accommodation of the power supply pack in Slim receiver box |
| Valance Plus option | <ul style="list-style-type: none"> • no retraction protection • local switch control |
| Option Tempura heating | <ul style="list-style-type: none"> • not dimmable • local switch control |







Heating System Tempura Universal (option)

Tempura, the energy-efficient infrared heating system convinces with heat output of 1,500 watt in a tiny housing.

- instant heat: no warm-up time
- turn as required for targeted warmth
- can be optionally operated via radio control: only possible with BiConnect (heating dimmable) and Somfy RTS (heating can only be switched on and off)
- splash protection
- comes in 47 standard frame colours plus 9 scratchproof, resistant trend colours with a smart, structured look
- optional: 150 special RAL colours
- universal bracket makes it easy to retrofit (mounted to the wall)
- TÜV tested



Simplified view from rear

Design bar for Tempura heating system receiver

Recommendation: Provide BiRec HD (bidirectional heating dimmer) or Somfy heating receiver Heating Slim Receiver RTS Plug with additional

protection using the horizontally mounted designer bar



BiRec HD
Remote receiver for heating control



Heating Slim Receiver Somfy RTS Plug
Remote receiver for heating control



Determining the projection and head clearance height:

1. Find the diagonal by looking in the "Projection" table for the terrace depth.
2. Using the diagonal from the table and the required angle of inclination, consult the "head clearance height" table for the head clearance height. This head clearance height refers to an installation height of 300 cm.
3. Add/subtract the difference between 300 cm and the actual installation height to/from the head clearance height in the table.

Determining the actual awning projection

This table can be used to find the actual awning projection for any given horizontal terrace depth.

| Angle of inclination | Terrace depth in cm | | | | | |
|----------------------|---------------------|-----|-----|-----|-----|-----|
| | 150 | 200 | 250 | 300 | 350 | 400 |
| 5° | 151 | 201 | 251 | 301 | 351 | 402 |
| 15° | 155 | 207 | 259 | 311 | 362 | 414 |
| 25° | 166 | 221 | 276 | 331 | 386 | 441 |

Projection in cm (rounded figures)

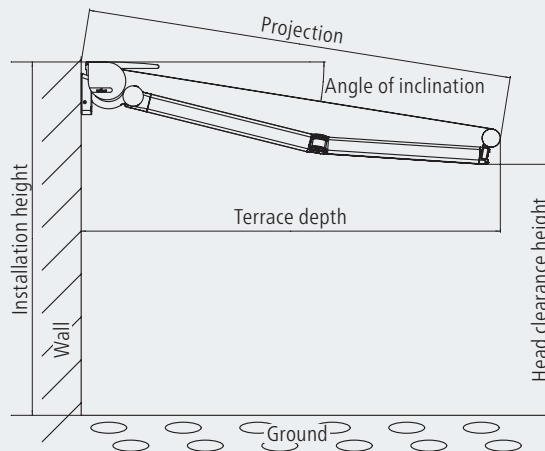
Determining the head clearance height

This table is used to find the head clearance heights for various diagonals when the angle of inclination is 5°, 15° or 25°.

This table is based on the example of an installation height of 300 cm (upper edge of awning).

| Angle of inclination | Projection in cm | | | | | |
|----------------------|------------------|-----|-----|-----|-----|-----|
| | 150 | 200 | 250 | 300 | 350 | 400 |
| 5° | 287 | 282 | 278 | 273 | 269 | 265 |
| 15° | 261 | 248 | 235 | 222 | 209 | 196 |
| 25° | 236 | 215 | 194 | 173 | 152 | 131 |

Head clearance height in cm (rounded figures)



Wall installation on C20/25 concrete with up to 200 mm facing, wind resistance class 2 and a permissible centric tensile load of 5.71 kN for anchor bolts

Sizes and bracket recommendations

| Width in cm | Number of arms | Diagonal in cm (irregular figures possible) | | | | | |
|-------------|----------------|---|-----|-----|-----|-----|-----|
| | | 150 | 200 | 250 | 300 | 350 | 400 |
| - 250 | 2 | ● | | | | | |
| 251 - 300 | 2 | ● | ● | | | | |
| 301 - 350 | 2 | ● | ● | ● | | | |
| 351 - 400 | 2 | ● | ● | ● | ● | | |
| 401 - 450 | 2 | ● | ● | ● | ● | ● | |
| 451 - 500 | 2 | ● | ● | ● | ● | ● | ▲ |
| 501 - 550 | 2 | ● | ● | ● | ● | ● | ▲ |
| 551 - 600 | 2 | ● | ● | ● | ● | ▲ | ▲ |
| 601 - 650 | 2 | ● | ● | ● | ● | ▲ | ▲ |
| 651 - 700 | 3 | ● | ● | ● | ● | ▲ | ▲ |

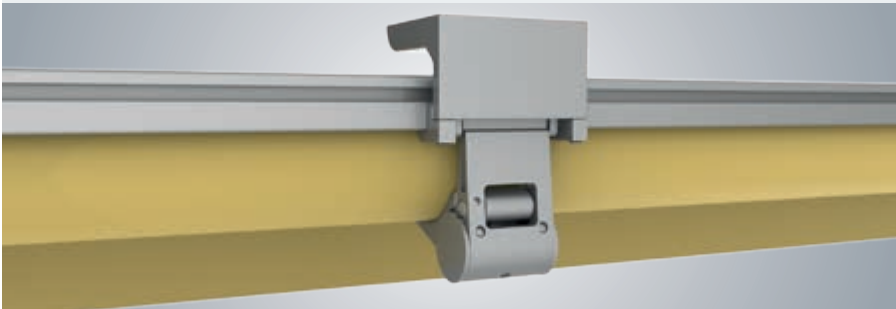
- 2 weinor Livona standard wall brackets 215 mm
- 3 weinor Livona standard wall brackets 215 mm

- 2 weinor Livona standard wall brackets 395 mm
- ▲ 2 weinor Livona standard wall brackets 395 mm and 1 standard wall bracket 215 mm

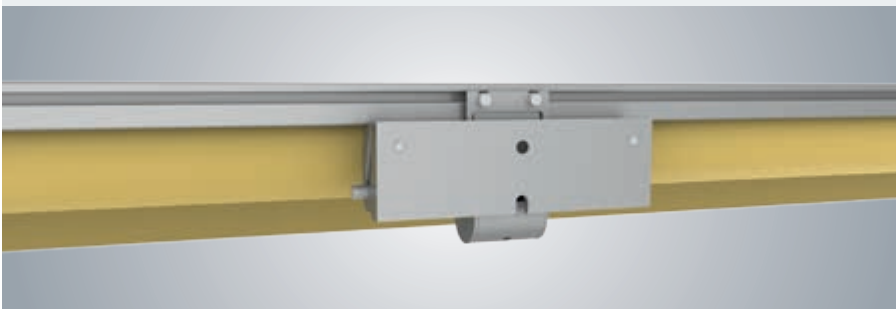
The new weinor roller support



Livona roller support wall mounting (view from rear)



Livona roller support roof mounting (view from rear)



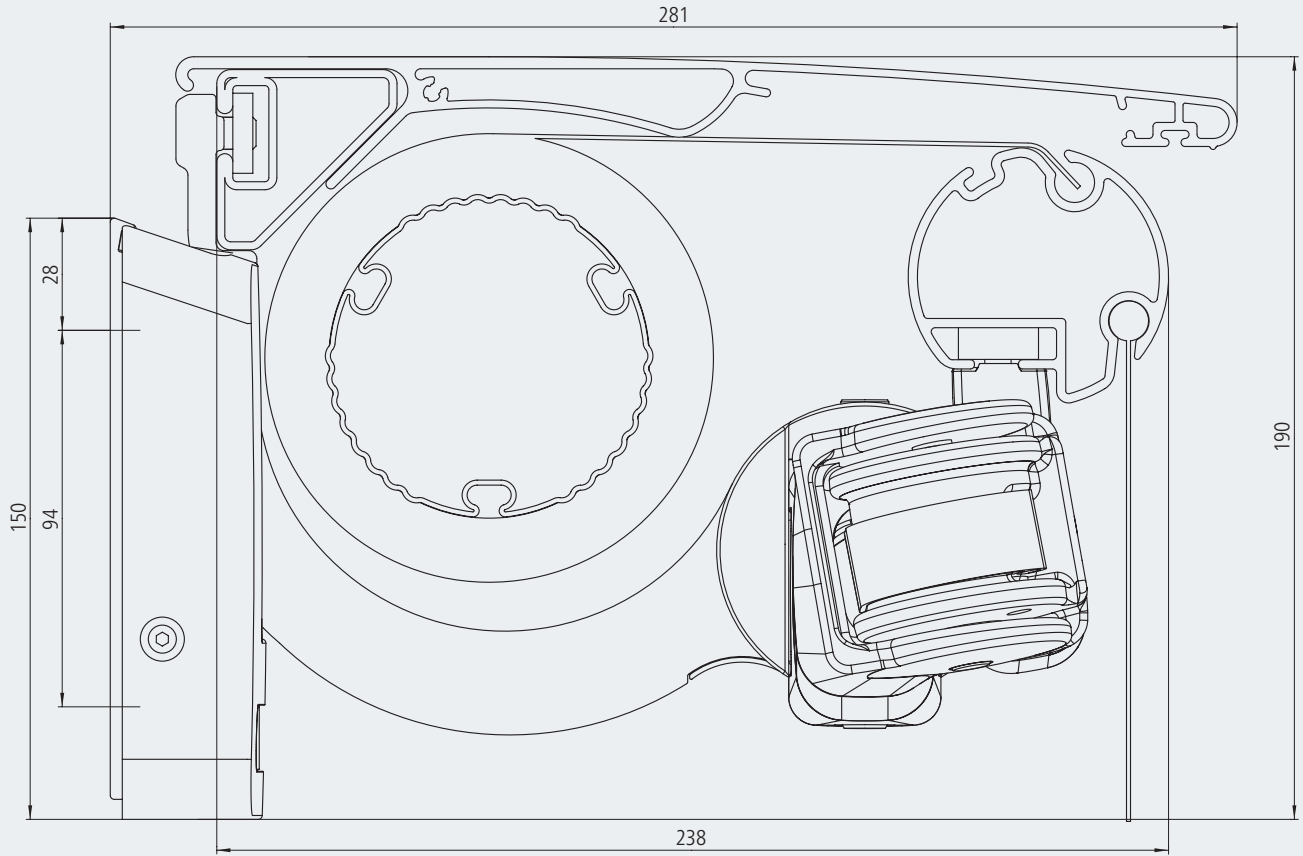
Livona roller support rafter mounting without rafter bracket (view from rear)



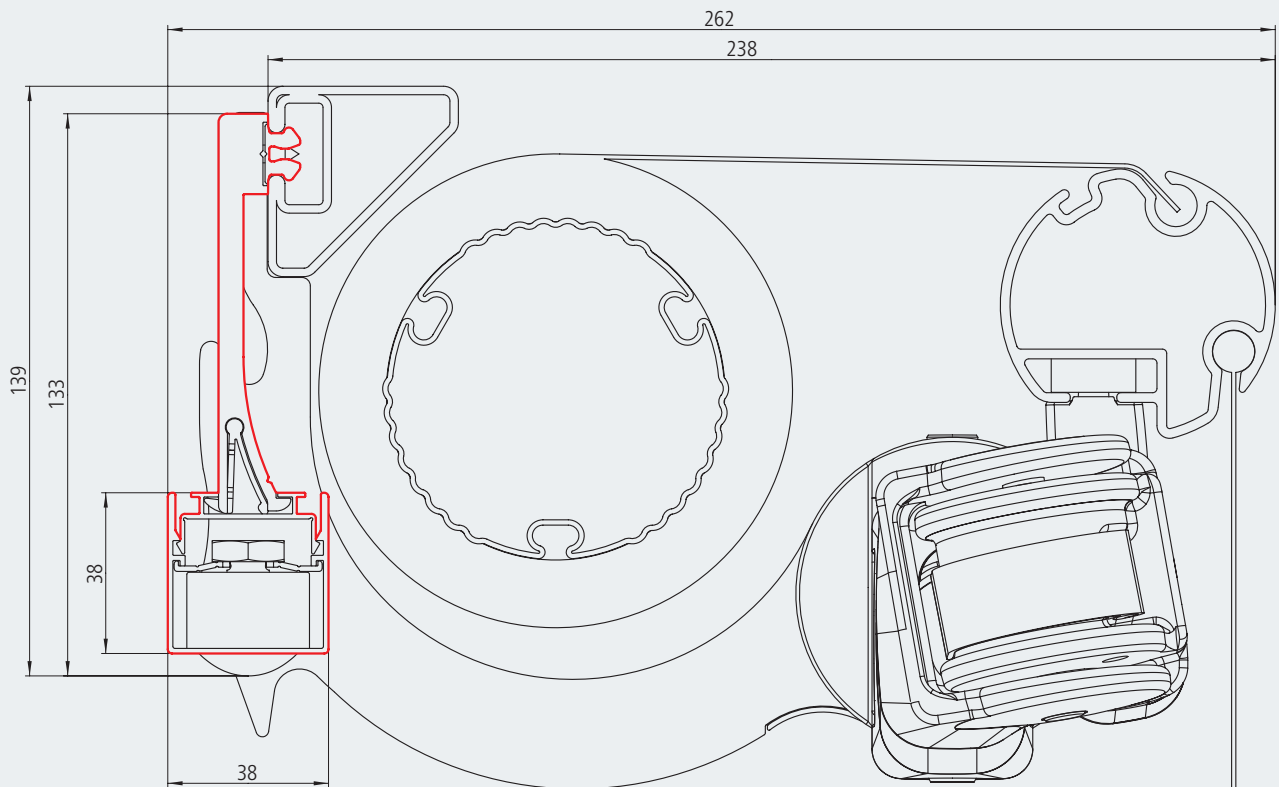
Livona roller support rafter mounting with rafter bracket (view from rear)

- The new weinor roller support is only used on awnings that are at least 601 cm wide.
- The sliding support bearing is preassembled and can be adjusted to the size of the fabric roll accordingly.
- Support of load against the wall or roof by means of simple screw fastening.
- If you are planning rafter mounting, we need the position of the rafter to be able to determine the correct seating of the roller support.

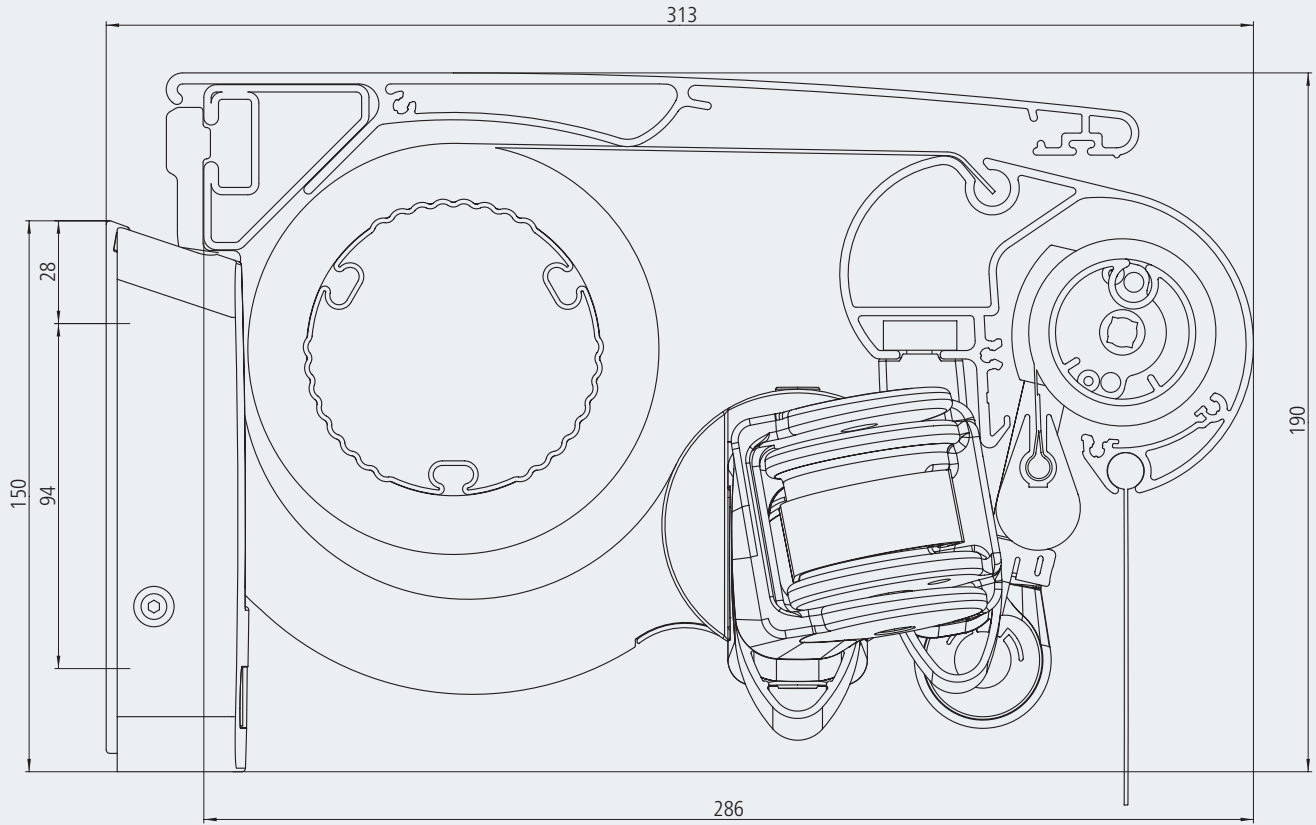
Cross-section weinor Livona with roof



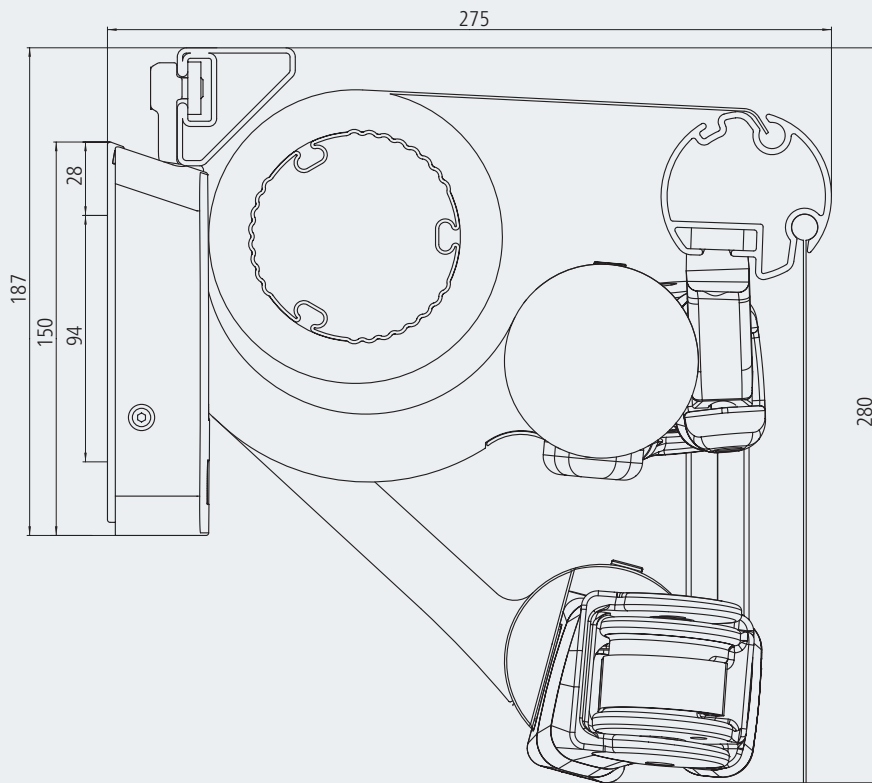
Cross-section weinor Livona without roof with LED SLIM light bar



Cross-section weinor Livona with roof Valance Plus



Cross-section weinor Livona MiniMax without roof

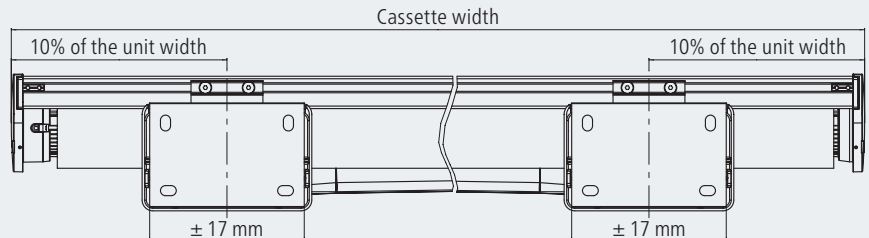


Installation on walls, ceilings or rafters – suitable for almost all applications

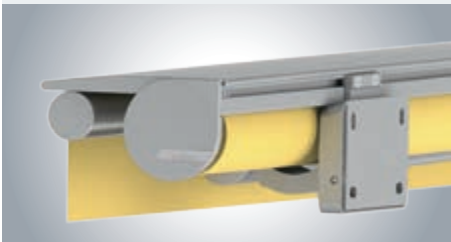
Its dimensions mean that the weinor Livona can be mounted in a wide range of ways: not only on a wall but

also on a roof or a rafter. The brackets and mounting plates are made of extruded, powder-coated aluminium.

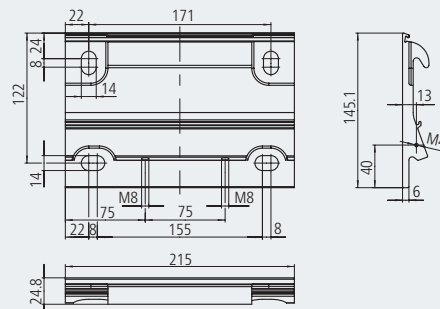
Standard bracket position



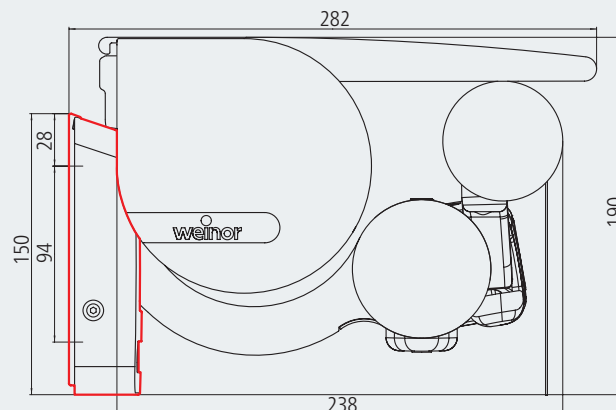
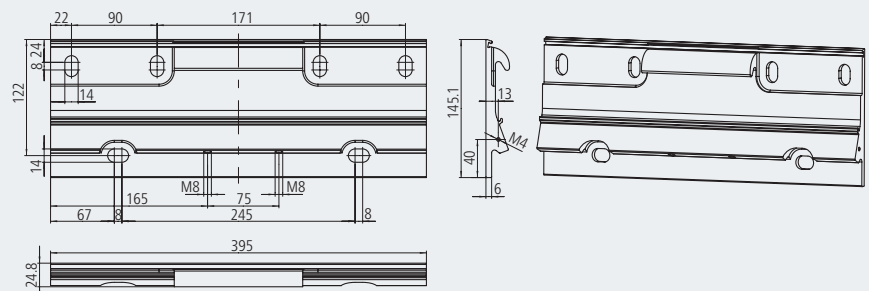
Wall installation



Wall bracket (without cover) 215 mm

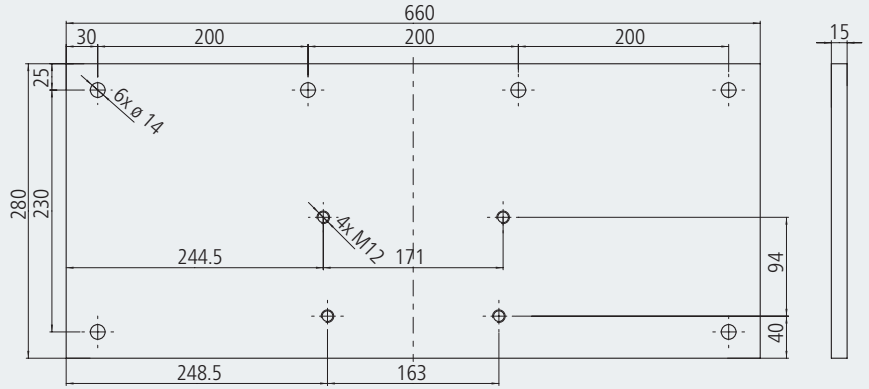


Wall bracket (without cover) 395 mm

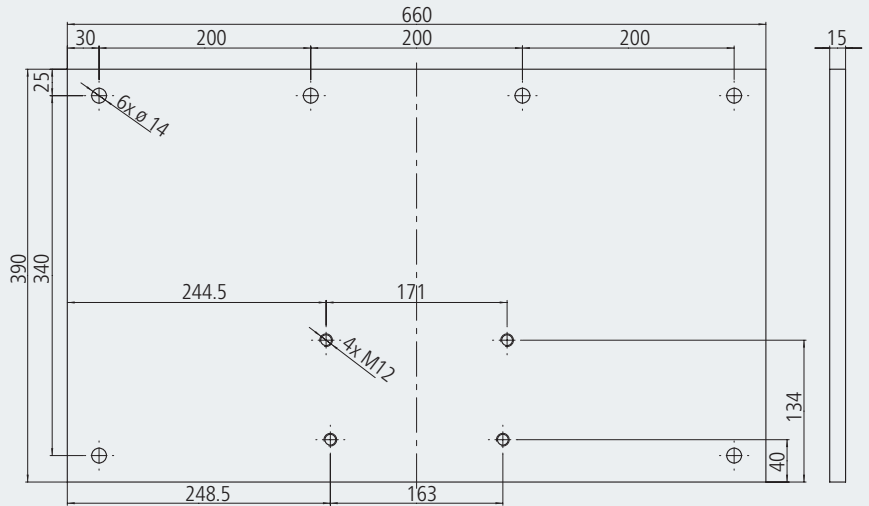


Side view weinor Livona with roof wall mounting

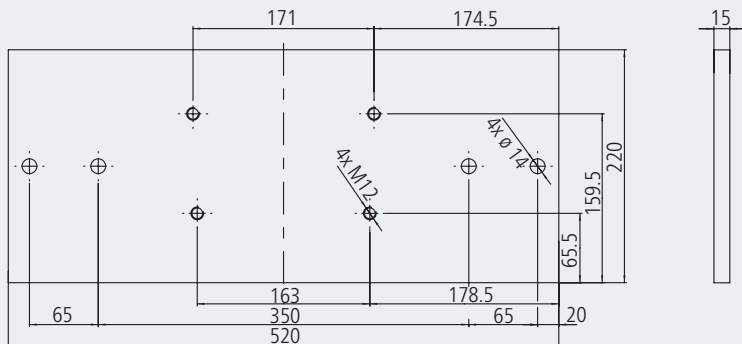
Mounting plate 660 x 280 mm x 15 mm



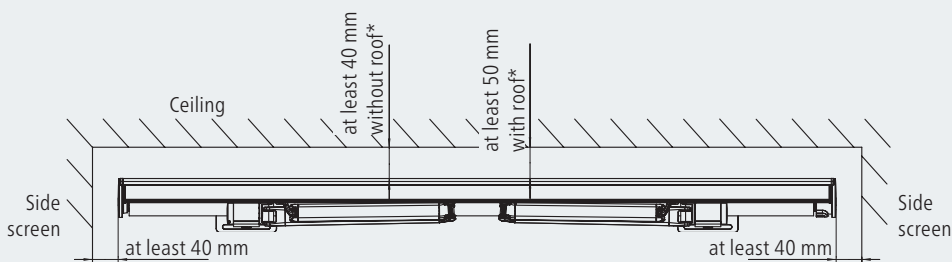
Mounting plate 660 x 390 mm x 15 mm



Ceiling front plate 520 x 200 x 15 mm

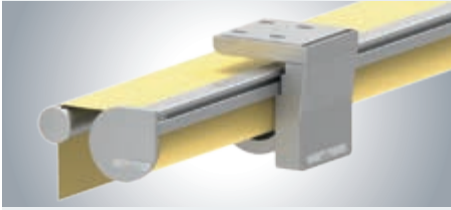


Minimum spacing distances for installation in the niche (wall mounting)

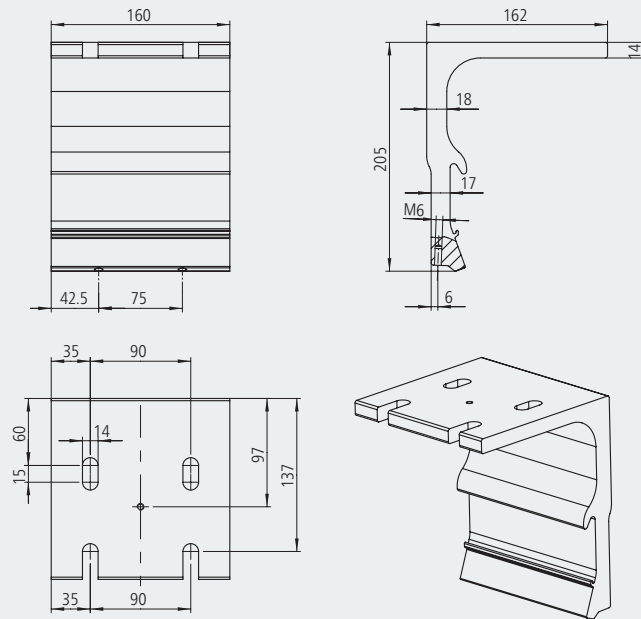


* Please note: With weinor Livona LED or in case of use of BiConnect, increase the minimum distance by 40 mm (height of receiver box)

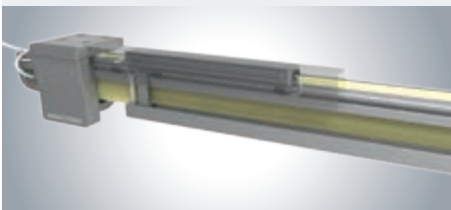
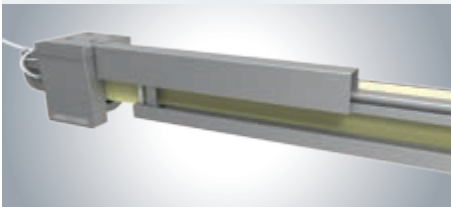
Roof installation



Ceiling bracket (without cover)

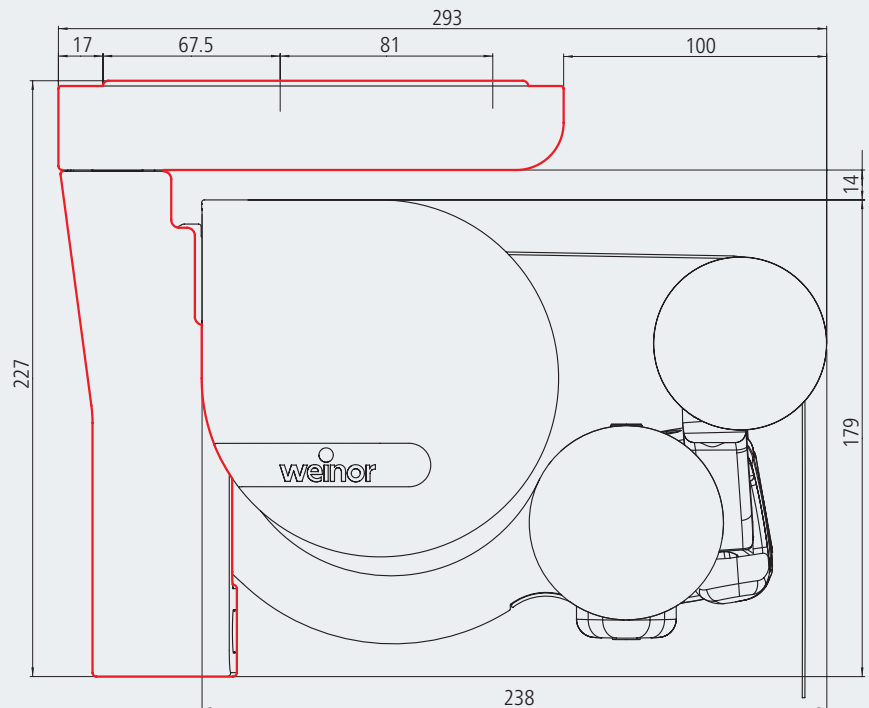


Receiver box cover plate for roof mounting weinor Livona LED/ LED Valance Plus



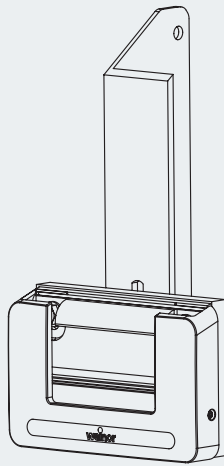
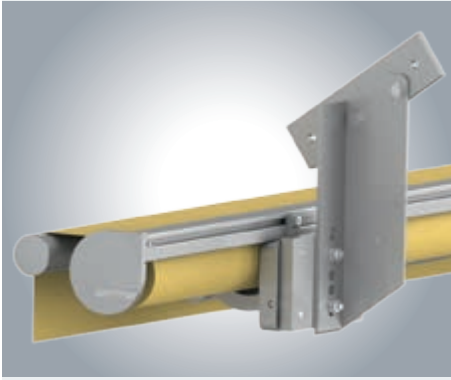
Transparent view of cover plate

- up to 500 cm width of awning – length of cover plate 70 cm
- from 501 cm width of awning – length of cover plate 90 cm

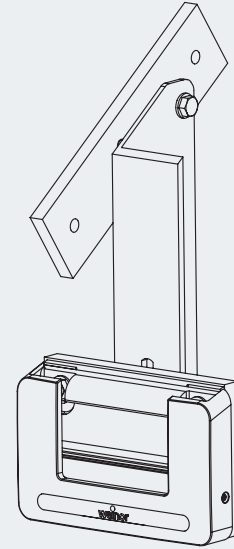


Side view weinor Livona without roof: roof mounting

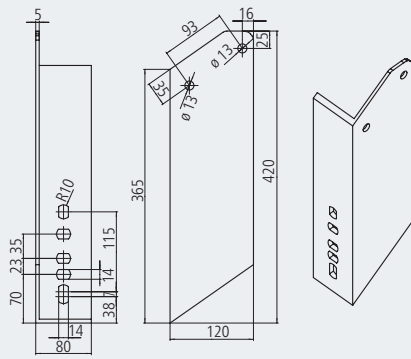
Rafter installation



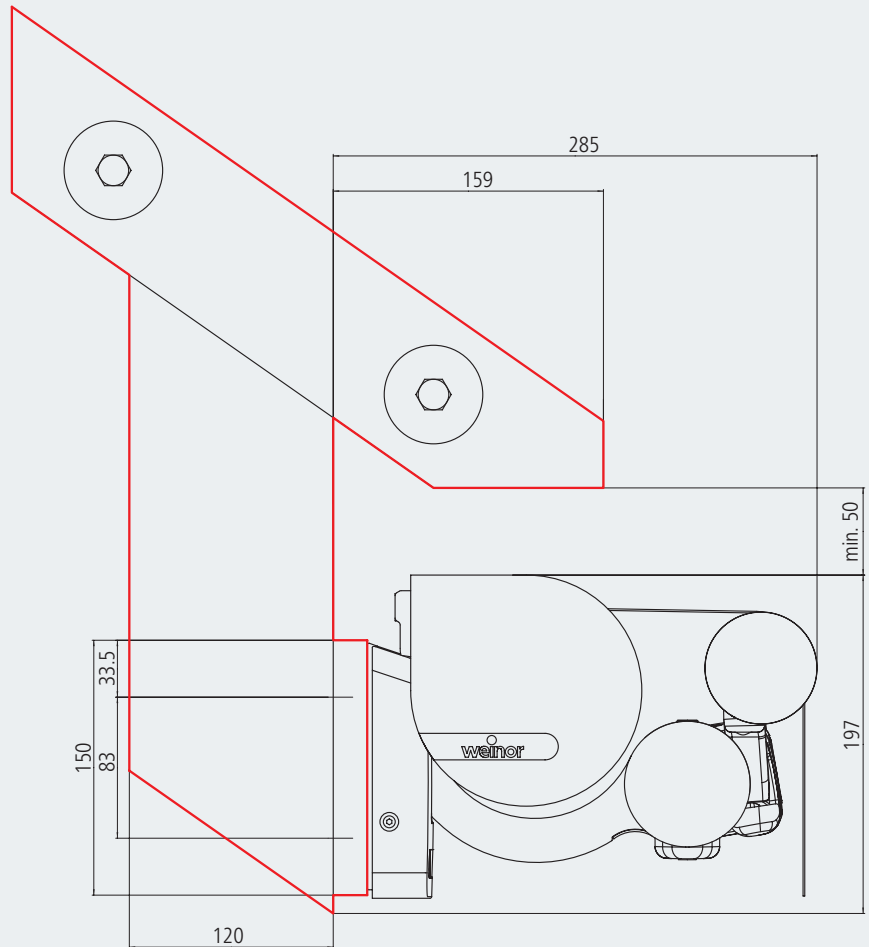
Right-hand rafter bracket



Rafter bracket with mounting plate for right-hand rafter bracket. weinor recommends using a mounting plate for the rafter bracket.



Rafter bracket



Side view weinor Livona without roof: rafter mounting

Extraction forces weinor Livona

Wall mounting on C20/25 concrete with up to 200 mm of facing,
Extraction force in N per upper fastener in wall bracket

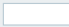
The extraction force is the force with which the weight of the awning and the wind load pull on each upper fixing. The tables indicate this force in N per upper fixing. It varies depending on the awning size and the wall bracket / mounting plate used.

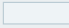
Selecting the wall bracket and anchoring system:

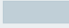
1. Consult relevant table for extraction force per fixing for selected awning size.


2. Select a wall bracket/mounting plate for which there is a fastener which can resist the indicated extraction force. Remember to take into account the spacing, the area which will be damaged if the fixing breaks out, the type of fixing used and the assembly base.

See separate bracket overview for other bases.

 1 standard wall bracket (215 mm) plus 1 roller support incl. separate bracket from 601 cm.
1 standard wall bracket (215 mm) per awning arm.
Fixing material: 8 all together

 1 standard wall bracket (395 mm) plus 1 roller support incl. separate bracket from 601 cm.
1 wall bracket (395 mm) per awning arm.
Brackets: 12 all together

 Mounting plate (660 x 220 mm) incl. 1 standard wall bracket (215 mm).
1 roller support incl. separate bracket from 601cm.
Brackets: 12 all together

 Mounting plate (660 x 390 mm) incl. 1 standard wall bracket (215 mm).
1 roller support incl. separate bracket from 601cm.
Brackets: 12 all together

| Width in cm | Projection in cm | | | | | |
|-------------|------------------|------|------|------|------|------|
| | 150 | 200 | 250 | 300 | 350 | 400 |
| 200 | 583 | | | | | |
| | 291 | | | | | |
| | 148 | | | | | |
| | 77 | | | | | |
| 250 | 686 | 1032 | | | | |
| | 343 | 516 | | | | |
| | 174 | 262 | | | | |
| | 91 | 137 | | | | |
| 300 | 789 | 1189 | 1695 | | | |
| | 395 | 594 | 847 | | | |
| | 200 | 302 | 431 | | | |
| | 104 | 157 | 224 | | | |
| 350 | 892 | 1346 | 1915 | 2629 | | |
| | 446 | 673 | 958 | 1315 | | |
| | 227 | 342 | 487 | 668 | | |
| | 118 | 178 | 254 | 348 | | |
| 400 | 995 | 1502 | 2135 | 2924 | 3738 | |
| | 498 | 751 | 1068 | 1462 | 1869 | |
| | 253 | 382 | 543 | 743 | 950 | |
| | 132 | 199 | 283 | 387 | 495 | |
| 450 | 1099 | 1659 | 2356 | 3218 | 4117 | 5950 |
| | 549 | 829 | 1178 | 1609 | 2058 | 2975 |
| | 279 | 421 | 599 | 818 | 1046 | 1512 |
| | 145 | 220 | 312 | 426 | 545 | 788 |
| 500 | 1201 | 1815 | 2576 | 3513 | 5115 | 6505 |
| | 601 | 908 | 1288 | 1756 | 2557 | 3253 |
| | 305 | 461 | 655 | 892 | 1299 | 1653 |
| | 159 | 240 | 341 | 465 | 677 | 861 |
| 550 | 1305 | 1972 | 2797 | 4317 | 5557 | 7060 |
| | 652 | 986 | 1398 | 2158 | 2779 | 3530 |
| | 331 | 501 | 711 | 1097 | 1412 | 1794 |
| | 173 | 261 | 370 | 572 | 736 | 935 |
| 600 | 1408 | 2129 | 3017 | 4659 | 5999 | 7615 |
| | 704 | 1064 | 1509 | 2329 | 3000 | 3808 |
| | 358 | 541 | 766 | 1184 | 1524 | 1935 |
| | 186 | 282 | 399 | 617 | 794 | 1008 |
| 650 | 1511 | 2285 | 3666 | 5000 | 6441 | 8171 |
| | 756 | 1143 | 1833 | 2500 | 3221 | 4085 |
| | 384 | 581 | 931 | 1270 | 1636 | 2076 |
| | 200 | 303 | 485 | 662 | 853 | 1082 |
| 651 | 1068 | 1614 | 2579 | 3538 | 4550 | 5797 |
| | 534 | 807 | 1289 | 1769 | 2275 | 2898 |
| | 271 | 410 | 655 | 899 | 1156 | 1473 |
| | 141 | 214 | 341 | 468 | 602 | 767 |
| 700 | 1137 | 1718 | 2748 | 3766 | 4845 | 6167 |
| | 569 | 859 | 1374 | 1883 | 2422 | 3083 |
| | 289 | 436 | 698 | 957 | 1231 | 1567 |
| | 151 | 227 | 364 | 499 | 641 | 816 |

3 arms are used from a width of 651 cm.

Extraction forces weinor Livona

Ceiling installation (on C20/25 concrete)

Extraction forces in N for roof installation

1 roof mounting bracket complete incl. cover
1 ceiling bracket per awning arm brackets: 8 all together plus 1 roller support with mounting plate incl. separate top mounting from 601 cm

| Width in cm | Projection in cm | | | | | |
|-------------|------------------|------|------|------|------|------|
| | 150 | 200 | 250 | 300 | 350 | 400 |
| 250 | 452 | 671 | | | | |
| 300 | 523 | 777 | 1100 | | | |
| 350 | 595 | 882 | 1247 | 1706 | | |
| 400 | 667 | 988 | 1393 | 1901 | 2433 | |
| 450 | 738 | 1093 | 1540 | 2095 | 2682 | 3860 |
| 500 | 810 | 1199 | 1686 | 2290 | 3314 | 4223 |
| 550 | 882 | 1304 | 1832 | 2794 | 3603 | 4586 |
| 600 | 953 | 1410 | 1979 | 3017 | 3892 | 4948 |
| 650 | 1025 | 1516 | 2380 | 3240 | 4180 | 5311 |
| 651 | 771 | 1116 | 1721 | 2338 | 2999 | 3813 |
| 700 | 823 | 1191 | 1836 | 2491 | 3195 | 4059 |

3 arms are used from a width of 651 cm.

Rafter installation

Shear forces in N per bracket for rafter installation

1 rafter bracket plus 1 standard wall bracket (215 mm), one of each for left and right, 1 rafter bracket plus 1 support roller with mounting plate as a central bracket from a width of 601 cm

1 rafter bracket plus 1 mounting plate for rafters plus 1 standard wall bracket (215 mm), one of each for left and right, 1 rafter bracket plus 1 mounting plate for rafters plus 1 support roller with mounting plate as a central bracket from a width of 601 cm

| Width in cm | Projection in cm | | | | | |
|-------------|------------------|------|------|------|-------|-------|
| | 150 | 200 | 250 | 300 | 350 | 400 |
| 200 | 1088 | | | | | |
| | 499 | | | | | |
| 250 | 1286 | 1943 | | | | |
| | 594 | 860 | | | | |
| 300 | 1483 | 2241 | 3198 | | | |
| | 689 | 995 | 1383 | | | |
| 350 | 1681 | 2538 | 3616 | 4973 | | |
| | 784 | 1131 | 1567 | 2115 | | |
| 400 | 1879 | 2836 | 4035 | 5533 | 8009 | |
| | 879 | 1266 | 1751 | 2356 | 3358 | |
| 450 | 2077 | 3133 | 4453 | 6092 | 8846 | 11298 |
| | 974 | 1401 | 1935 | 2597 | 3711 | 4702 |
| 500 | 2274 | 3431 | 4871 | 6652 | 9683 | 12353 |
| | 1069 | 1536 | 2118 | 2839 | 4064 | 5144 |
| 550 | 2472 | 3729 | 5289 | 8120 | 10519 | 13408 |
| | 1163 | 1671 | 2302 | 3447 | 4417 | 5585 |
| 600 | 2670 | 4026 | 5707 | 8764 | 11356 | 14463 |
| | 1258 | 1807 | 2486 | 3722 | 4770 | 6027 |
| 650 | 2868 | 4324 | 6872 | 9408 | 12192 | 15518 |
| | 1353 | 1942 | 2972 | 3998 | 5124 | 6468 |
| 651 | 2126 | 3154 | 4938 | 6759 | 8720 | 11113 |
| | 1053 | 1469 | 2190 | 2927 | 3719 | 4687 |
| 700 | 2266 | 3361 | 5264 | 7196 | 9286 | 11824 |
| | 1125 | 1568 | 2337 | 3118 | 3963 | 4990 |

3 arms are used from a width of 651 cm.