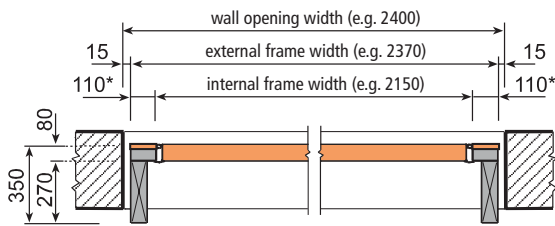


INSTALLATION TYPES AND OVERALL SIZES - Garage door

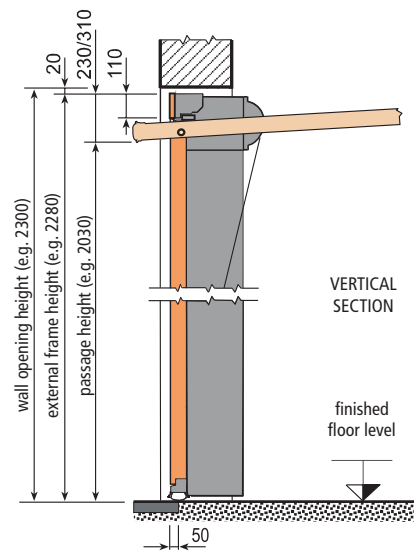
Installation between brickwork



HORIZONTAL SECTION

*: becomes 135 mm in the cases shown in the size tables

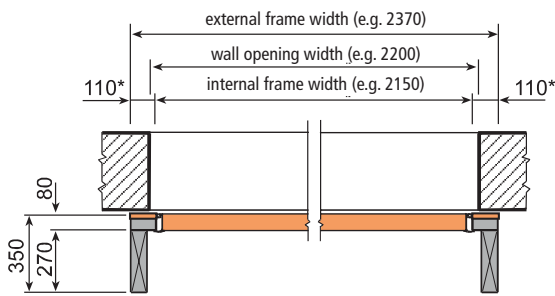
PASSAGE WIDTH = internal frame width - 50 mm



VERTICAL SECTION

finished floor level

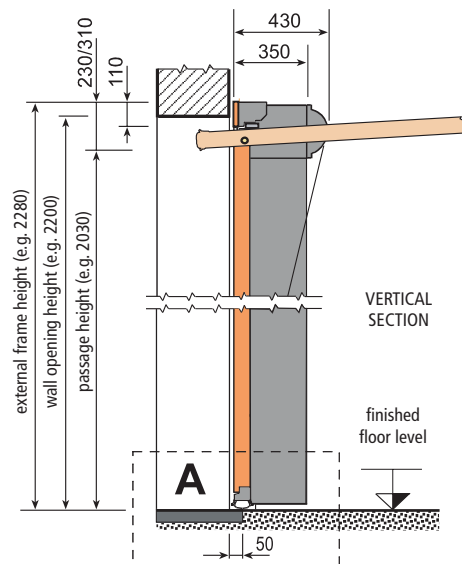
Installation behind brickwork



HORIZONTAL SECTION

*: becomes 135 mm in the cases shown in the size tables

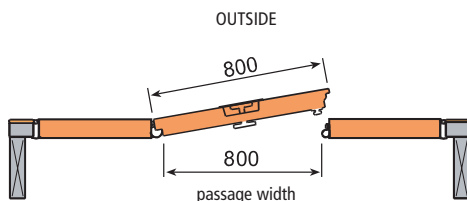
PASSAGE WIDTH = internal frame width - 50 mm



VERTICAL SECTION

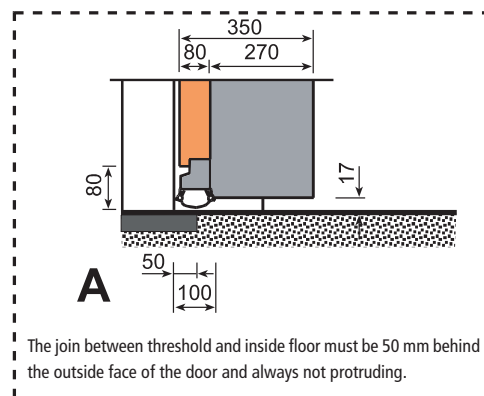
finished floor level

Pedestrian door



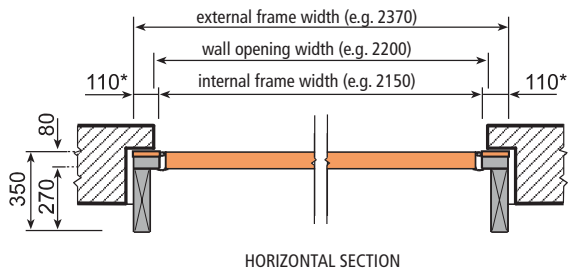
Height between floor and pedestrian door low part = 83 mm

Detail of the door threshold



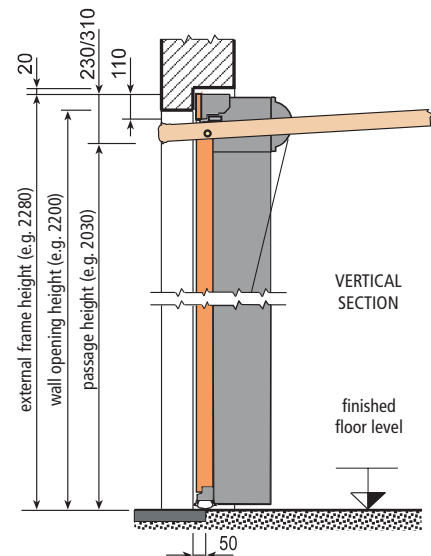
The join between threshold and inside floor must be 50 mm behind the outside face of the door and always not protruding.

Installation behind brickwork (recessed opening)

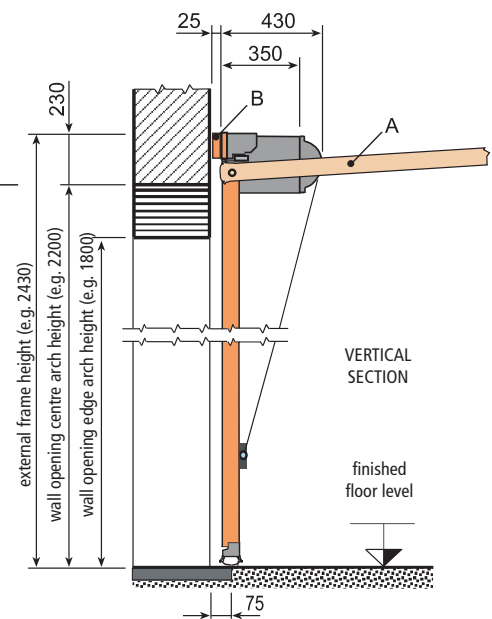
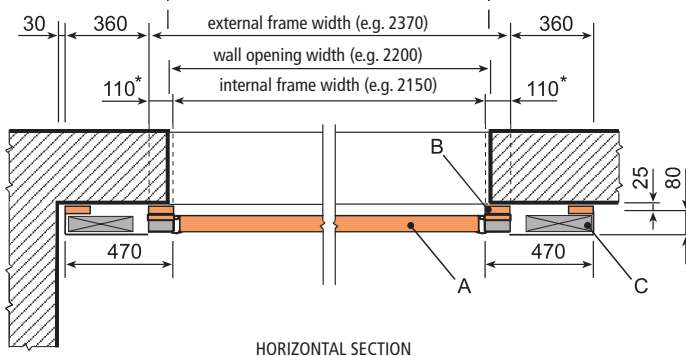
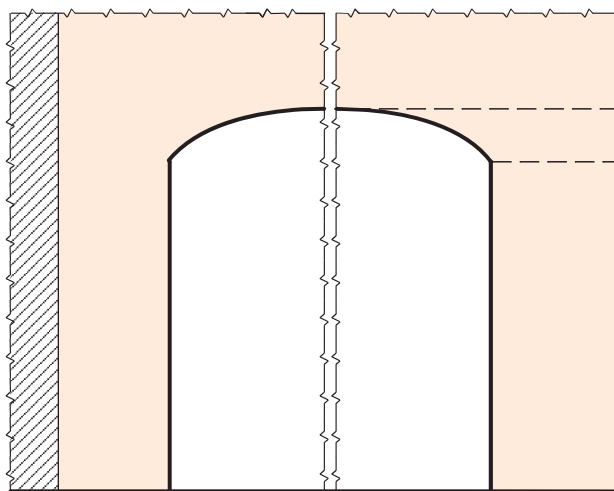


*: becomes 135 mm in the cases shown in the size tables

PASSAGE WIDTH = internal frame width - 50 mm



Installation behind brickwork in arched wall opening



A: door leaf with non protruding mechanism

B: wooden safety boards (25 mm)

C: counterweights turned through 90°

*: becomes 135 mm in the cases shown in the size tables

PASSAGE WIDTH = internal frame width - 50 mm